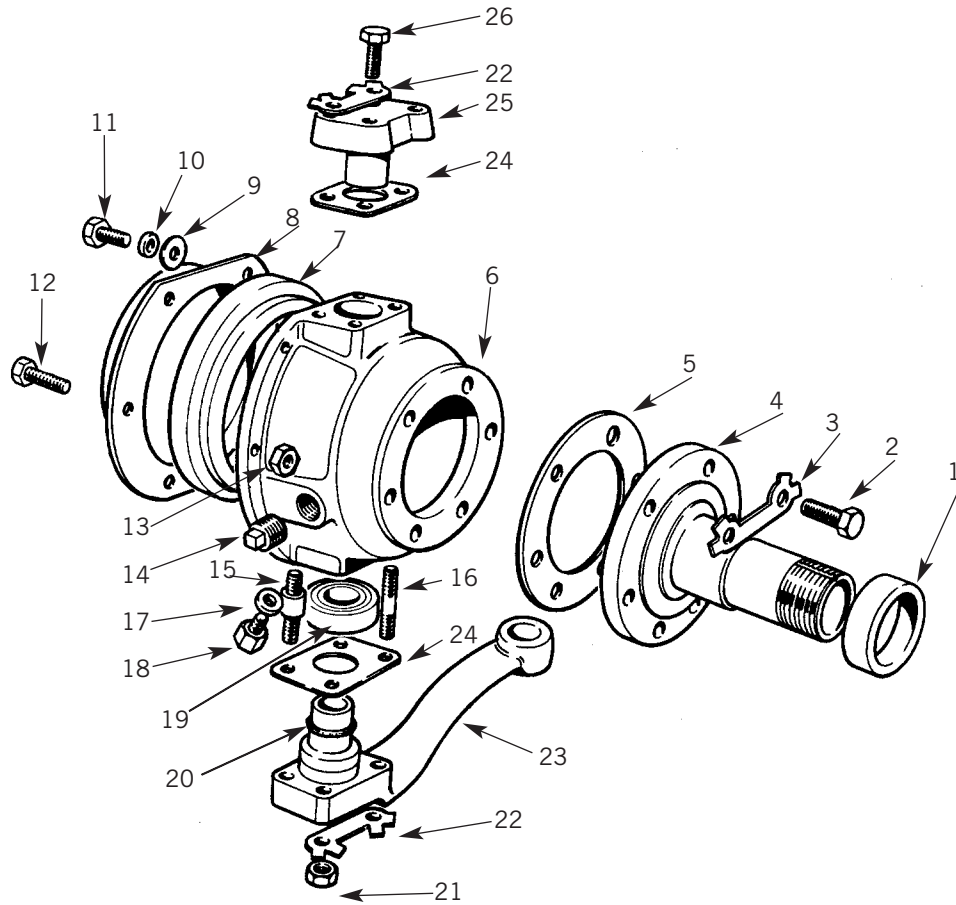




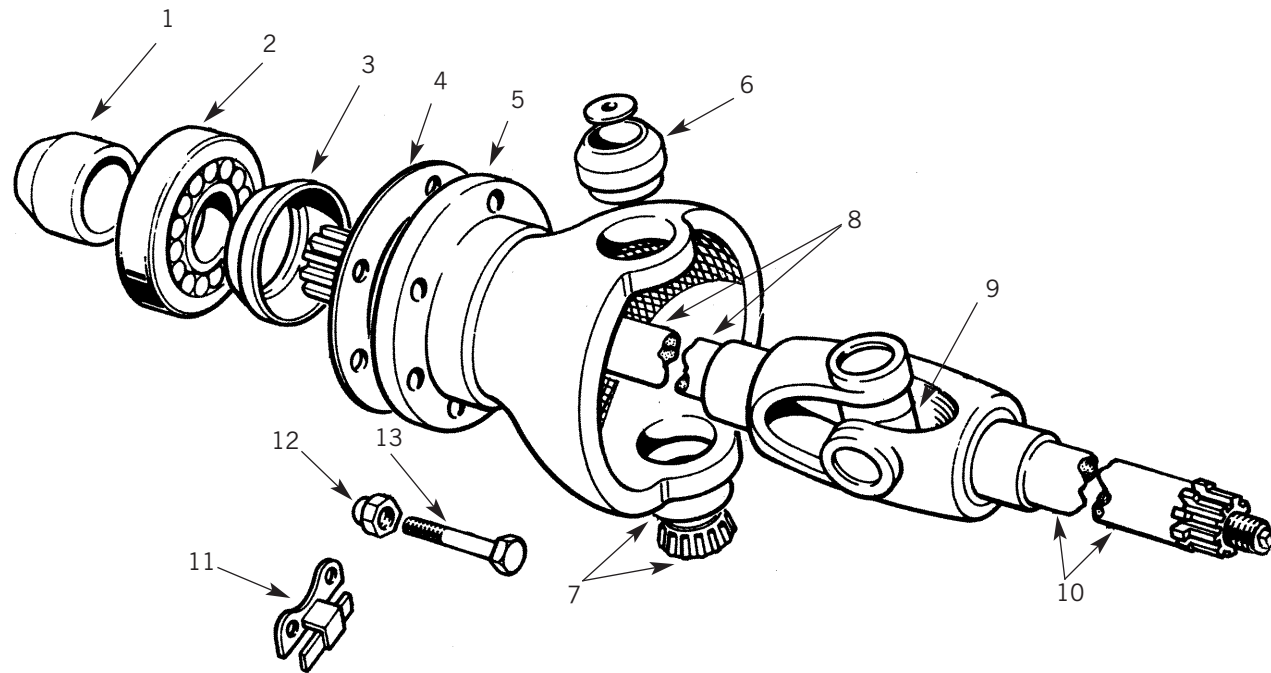
# Swivel Pin and Ball Housing



DRAWING REF	QUANTITY	BEARMACH REF	PART NUMBER	DESCRIPTION
1	1	BR 0607	599698	Distance Piece Stub Axle
2	6	BR 0538	237339	Bolt Stub Axle to Swivel Housing
3	3	BR 0965	277311	Locking Plate
4	1	BR 0547	599827	Stub Axle Assembly
5	1	BR 1403	277289	Joint Washer
6		BR 1977	STC3409	Housing Assembly RH
		BR 1976	531004	Housing Assembly LH
7		BR 0023	RTC3528	Oil Seal Swivel Housing
8		BR 0670	235968	Retainer Oil Swivel Seal
9	10	BR 3065	RTC609	Washer Plain
10	10	BR 0622	WH600041L	Spring Washer
11	10	BR 0733	90576510	Bolt 1/4" BSF x 1/2" (3/8" BSF x 1.1/4")
12	2	SH404081	SH404081	Bolt - 1/4" BSF x 3/4"
13	2	BR 0519	3819	Nut - 1/4" BSF
14		BR 0842	3292	Oil Filler Plug
15	4	BR 1707	531043	Stud Lower Steering Lever
16		BR 1705	531494	Stud Lower Steering Lever
17		BR 0266	273069	Joint Washer
18		236070	236070	Drain Plug Swivel Housing
19		BR 0044	217268	Bearing Swivel Pin Lower
		BR 0044G	217268G	Bearing Swivel Pin Lower
		BR 0044R	217268R	Bearing Swivel Pin Lower
20		BR 1979	531433	'O' Ring
21		BR 0739	594104	Nut - 7/16" BSF
22		BR 1704	531001	Lock Washer
23		BR 1972	530988	Steering RH Lever RHD
		BR 1973	530989	Steering LH Lever LHD
24		BR 1700	530985	Shim .003
		BR 1701	530985	Shim .005
		BR 1702	530986	Shim .010
		BR 1703	530987	Shim .030
25		BR 1983	576583	Swivel Pin and Bracket
26		BR 2268	237357	Bolt 7/16" BSF x 1.3/8"



# Swivel Pin Housing and Drive Shaft



DRAWING REF	QUANTITY	BEARMACH REF	PART NUMBER	DESCRIPTION
1		BR 0604	90217398	Collar
2		BR 1109	244150	Bearing Inner Drive Shaft
3		BR 1110	244151	Distance Piece
4		BR 0609	232413	Joint Washer
5		BR 0736	217282	Swivel Pin Housing
6		BR 1713	539742	Railko Bush & Housing OEM
		BR 1713R	539742	Railko Bush & Housing
7		BR 0044	217268	Lower Swivel Bearing
8		BAS 15	276719	Half Shaft RH Ser3
		BAS 14	276720	Half Shaft LH Ser3
		BR 1333	269265	Half Shaft RH Ser2
		BR 1334	269266	Half Shaft LH Ser2

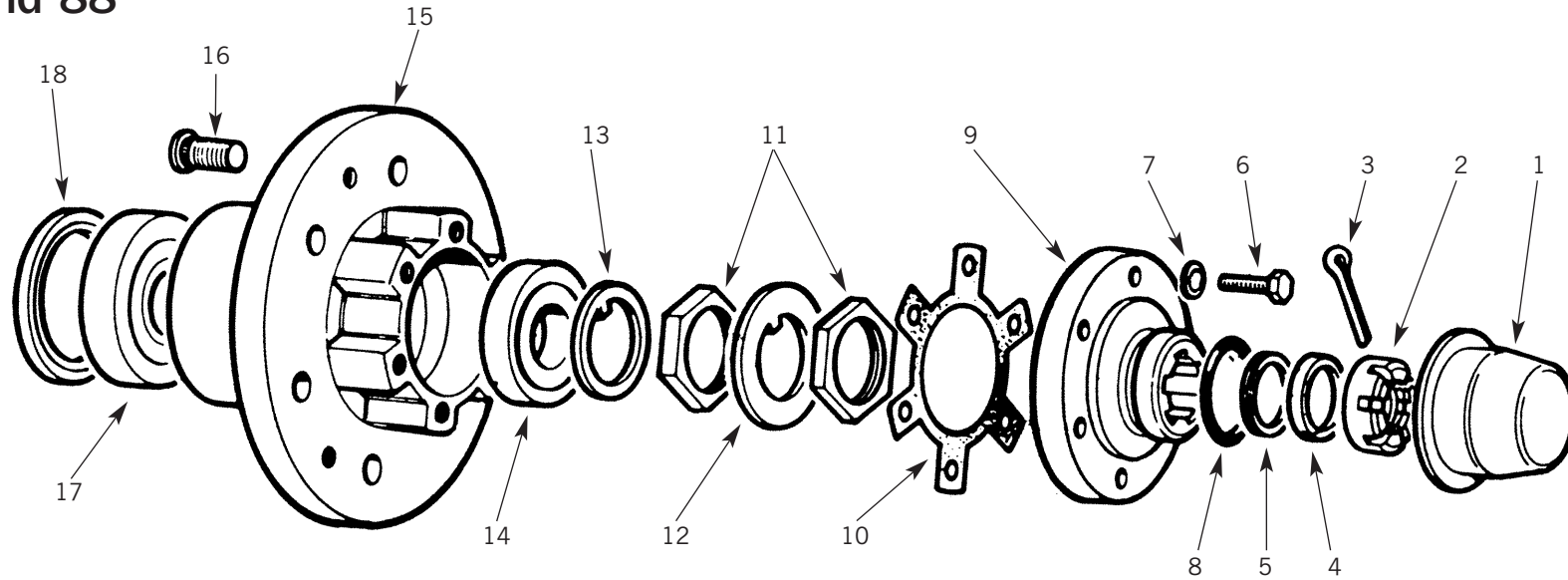
DRAWING REF	QUANTITY	BEARMACH REF	PART NUMBER	DESCRIPTION
8		BR 3077	576777	Half Shaft RH 24 Spline Series 3
		BR 3078	576778	Half Shaft LH 24 Spline Series 3
9		BUJ 7G	RTC5964G	Universal Joint Spicer GKN
10		BR 0405	242520	Stub Shaft
		BR 3076	608023	Stub Shaft
11		90519206	90519206	Stop Location for Jack
12		BR 0521	251322	Lock Nut - 3/8" BSF
13	10	BR 0398	576521	Bolt - 3/8" BSF x 1.3/8"



BEAR MACH

# Front and Rear Hub Assembly

## 109" and 88"



DRAWING REF	QUANTITY	BEARMACH REF	PART NUMBER	DESCRIPTION
1		BR 0610	219098	Hub Cap - up to Sept 83
2		BR 0633	549475	Hub Nut Driving Member
		BR 0611	3259	Hub Nut Driving Member
3		BR 0869	PS608101	Split Pin
4		BR 1840	556628	Distance Piece
5		BR 1125	556445	Spirolox Ring
6		BR 0415	215331	Bolt - 3/8" BSF x 1.19/32")
7		WM600061L	WM600061L	Spring Washer
8		BR 2147	RTC3516	'O' Ring
9		BR 2155	571711	Driving Member 24 Spline OEM
		BR 2155R	571711R	Driving Member 24 Spline
		BR 1934	571235	Driving Member 10 Spline
		BR 1934R	571235R	Driving Member 10 Spline use BR 1934
10		BR 0954	231505	Joint Washer Driving Member
11		BR 0606	FRC8700	Front Hub Nut
12		BR 0017	217353	Hub Locker
13		BR 0046	217352	Key Washer

DRAWING REF	QUANTITY	BEARMACH REF	PART NUMBER	DESCRIPTION
14		BR 0305	RTC3426	Outer Wheel Bearing up to 1980
		BR 3141	RTC3429	Outer Wheel Bearing 1980 on TIMKEN
		BR 3141R	RTC3429	Outer Wheel Bearing 1980 on
15		BR 2320	S76844	Hub & Stud Assembly
16		BR 3067	576825	Wheel Stud
17		BR 0304	RTC3416	Inner Wheel Bearing up to Sept 1980 TIMKEN
		BR 0304R	RTC3416R	Inner Wheel Bearing up to Sept 1980
		BR 3141	RTC3429	Inner Wheel Bearing 1980 on TIMKEN
		BR 3141R	RTC3429R	Inner Wheel Bearing 1980 on
18		BR 2103	RTC3510	Oil Seal Hub Rubber Type
		BR 2103G	RTC3510G	Oil Seal Hub Rubber Type OEM
		BR 0646	RTC3511	Oil Seal Hub Rubber Type
		BR 0646G	RTC3511G	Oil Seal Hub Rubber Type OEM
		BR 0319	RTC3534	Hub Bearing Kit

Website - www.bearmach.com

PARTS SUITABLE FOR  
**LAND ROVER SERIES 2a & 3**

PAGE  
**3**

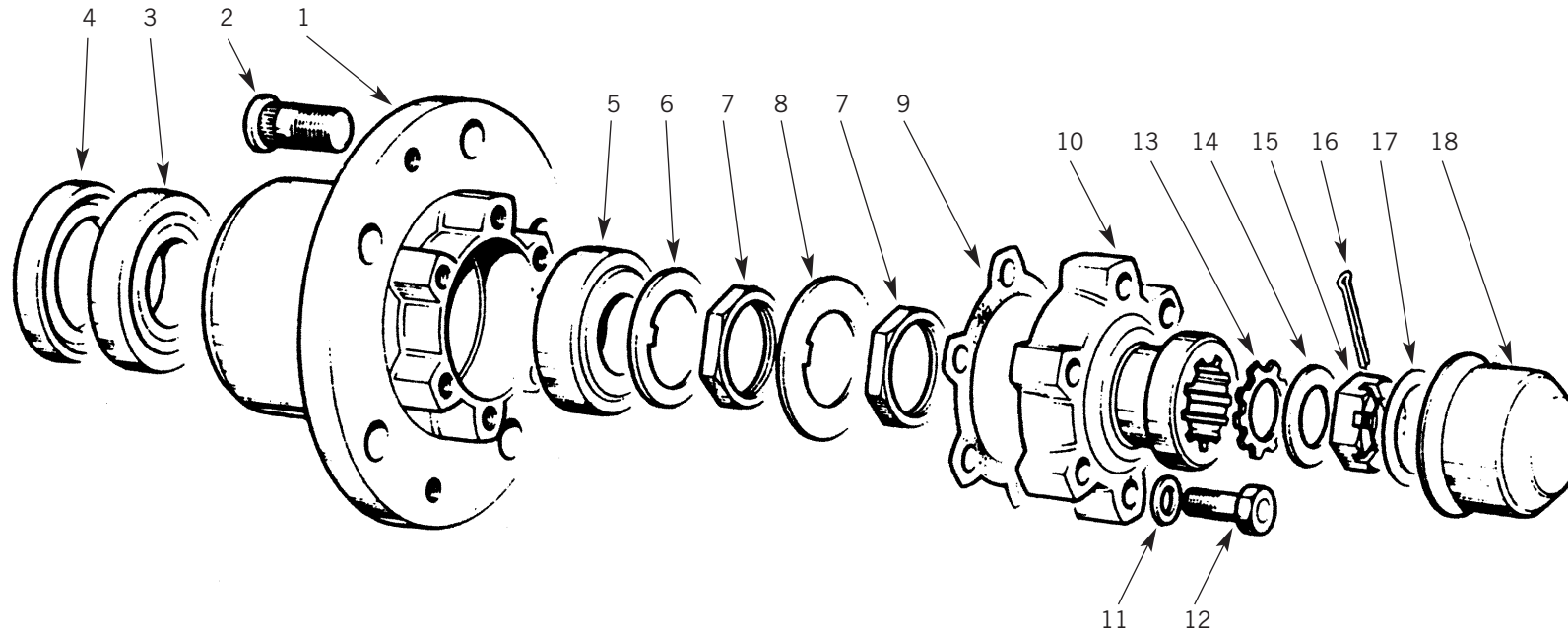
**QUICK REFERENCE**



B  
E  
A  
R  
M  
A  
C  
H

# Rear Hub Assembly

109" and 88" from July 1980



DRAWING REF	QUANTITY	BEARMACH REF	PART NUMBER	DESCRIPTION
1		BR 2320 FRC3875	576844 FRC3875	Hub & Stud Assembly Ser3 Hub Assembly 109" V8 up to Sept 1980
2		BR 3067	576825	Wheel Stud
3		BR 3141	RTC3429	Hub Bearing TIMKEN
		BR 2103	RTC3510	Oil Seal Hub Rubber Type
5		BR 3141	RTC3429	Hub Bearing
6	1	BR 0046	217352	Key Washer
7		BR 0606	FRC8700	Hub Nut & Lock Nut
8		BR 0017	217353	Hub Lock Washer
9		BR 0954	231505	Joint Washer Driving Member
10		BR 1934	571235	Driving Member 10 Spline - up to June 1980

DRAWING REF	QUANTITY	BEARMACH REF	PART NUMBER	DESCRIPTION
		BR 2155	571711	Driving Member 24 Spline
11		WM600061L	WM600061L	Washer Spring
12		BR 0415	215331	Bolt - 3/8" BSF x 1.19/32"
13		BR 0667	RTC3515	Oil Seal Felt For Axle Shaft
14		571922	571922	Washer NLS
15		BR 0611	3259	Nut Driving Member
16		BR 0869	PS608101	Split Pin
17		BR 2147	RTC3516	'O' Ring
18		BR 0610	219098	Hub Cap

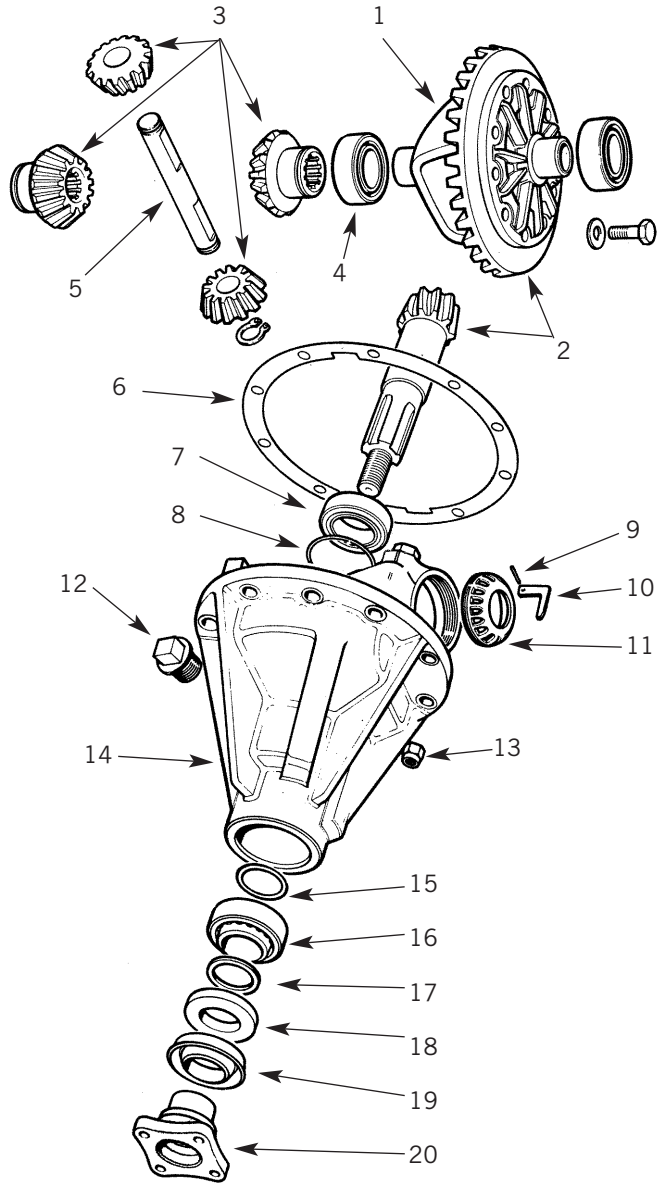
Tel: +44 (0)29 20 856 550

Manufacturers' part numbers are used for reference purposes only



B  
E  
A  
R  
I  
N  
G  
M  
A  
C  
H

# Differential



DRAWING REF	QUANTITY	BEARMACH REF	PART NUMBER	DESCRIPTION
1		BR 1831	594487	Differential Case Assembly
		BR 1836	607164	Differential Case Assembly
		FRC2933	FRC2933	Differential Case Assembly V8 Suffix D Onwards
2		BR 1607	RTC2990	Crown Wheel & Pinion 109" 4 Cylinder
		BR 3052	RTC1392	Crown Wheel & Pinion 109" 4 Cylinder
		BR 3376	594493	Crown Wheel & Pinion 109" V8
3		BR 0309	STC851	Differential Pinion Set - 4 Gear Set
		BR 0600	RTC4489	Differential Pinion Set - 4 Gear Set
4	2	BR 0796	41045	Bearing Differential Case 109" 4 Cylinder
	2	BR 1644	RTC2726	Bearing Differential Case 109" V8 TIMKEN
	2	BR 1644R	RTC2726R	Bearing Differential Case 109" V8
5	1	BR 1590	539703	Differential Spindle
	1	BR 3498	599945	Differential Cross Shaft
6	1	BR 0522	7316	Joint Washer
7	1	BR 1649	539706	Bearing Pinion
8	16	BR 0211	549232	Shim - Differential in Sizes from .040" to .065"
				Spring Pin
9	12	BR 0652	RTC 631	Locking Tab
10	2	FRC5661	FRC5661	Serrated Nut Preload
11	1	BR 0424	40756	Oil Filler Plug
12	10	BR 0306	3294	Lock Nut - 3/8" UNF
13	1	FRC5690	FRC5690	Pinion Housing
14	1	BR 0373	549252	Shim 0.060"
	1	FRC1195	FRC1195	Shim 0.062"
	1	BR 0359	FRC1197	Shim 0.064"
	1	FRC1199	FRC1199	Shim 0.066"
	1	FRC1201	FRC1201	Shim 0.068"
	1	FRC1203	FRC1203	Shim 0.070"
	1	BR 1308	539718	Shim 0.072"
	1	BR 1748	539720	Shim 0.074"
	1	BR 1749	539722	Shim 0.076"
	1	BR 1309	539724	Shim 0.081"
15	1	BR 1633	539707	Bearing Pinion TIMKEN
	1	BR 1633R	539707R	Bearing Pinion
16	1	BR 1991	539745	Washer Diff Pinion
17	1	BR 0668	FRC4586	Oil Seal Pinion
18	1	BR 2037	236072	Mud Shield
19	1	BR 0630	236632	Flange Diff
20	1	BR 1898R	594484R	Differential Assembly Ser3 Reconditioned
	1	BR 1898S	FRC7778	Differential Assembly Ser3 NEW

Website - www.bearmach.com

PARTS SUITABLE FOR  
**LAND ROVER SERIES 2a & 3**

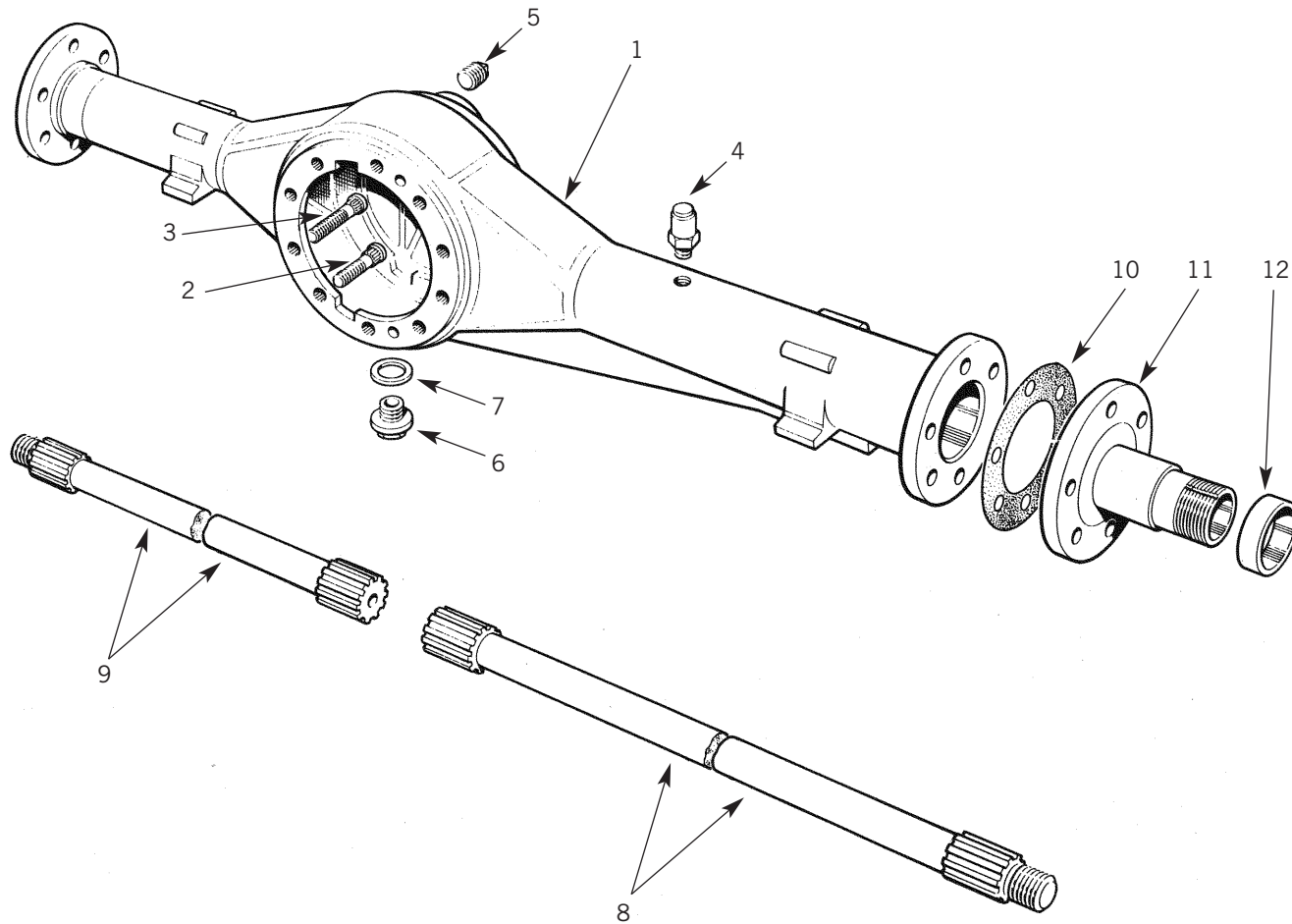
PAGE  
**5**

**QUICK REFERENCE**



# Axle Casing

Rear 88" and Front 109"



DRAWING REF	QUANTITY	BEARMACH REF	PART NUMBER	DESCRIPTION
1	1	FRC3366	FRC3366	Rear and Front Axle Casing
2		BR 2243	561196	Special Bolts
3		BR 2242	561195	Special Bolts
4		BR 2046	515845	Breather Assembly
5		BR 0306	3294	Filler Plug Oil
6		BR 0034	235592	Drain Plug
7		BR 0671	515599	Copper Washer Drain Plug
8		BAS 06	FRC1644	Axle Shaft RH 10/24 Spline 88"

DRAWING REF	QUANTITY	BEARMACH REF	PART NUMBER	DESCRIPTION
8cont		BAS 07	FRC1645	Axle Shaft LH 10/24 Spline 88"
		BAS 13	591379	Axle Shaft Rear LH Spline 88"
		BAS 20	576767	Axle Shaft Rear RH 24 Spline 109"
		BAS 21	576768	Axle Shaft Rear LH 24 Spline 109"
9		BAS 12	591378	Axle Shaft Rear RH 10 Spline
10		BR 1457	500978	Joint Washer - Gasket
11		BR 1835	599828	Stub Axle Assembly Rear Hub
12		BR 0607	599698	Distance Piece

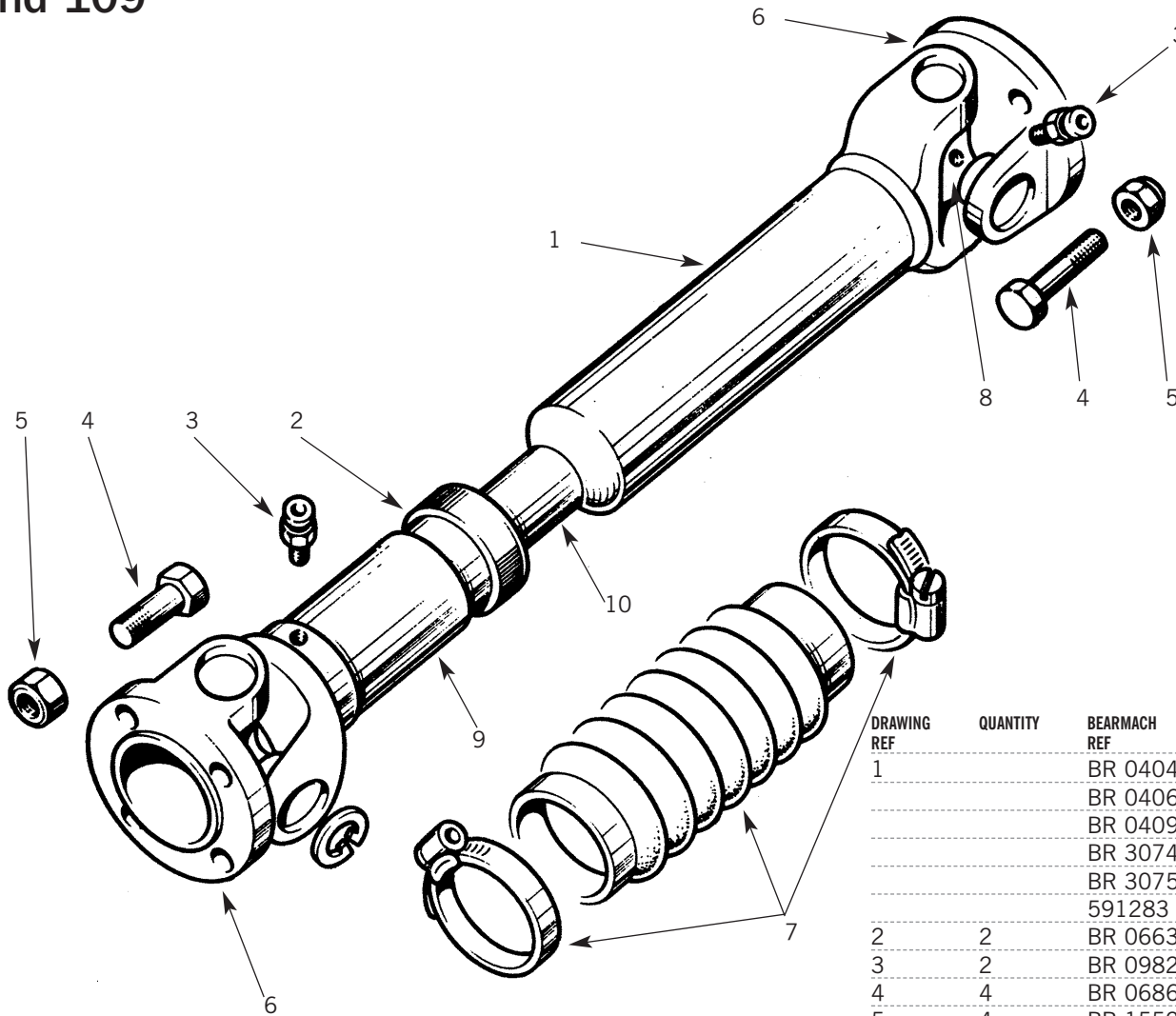




B  
E  
A  
R  
M  
A  
C  
H

# Front and Rear Propeller Shaft

## 88" and 109"



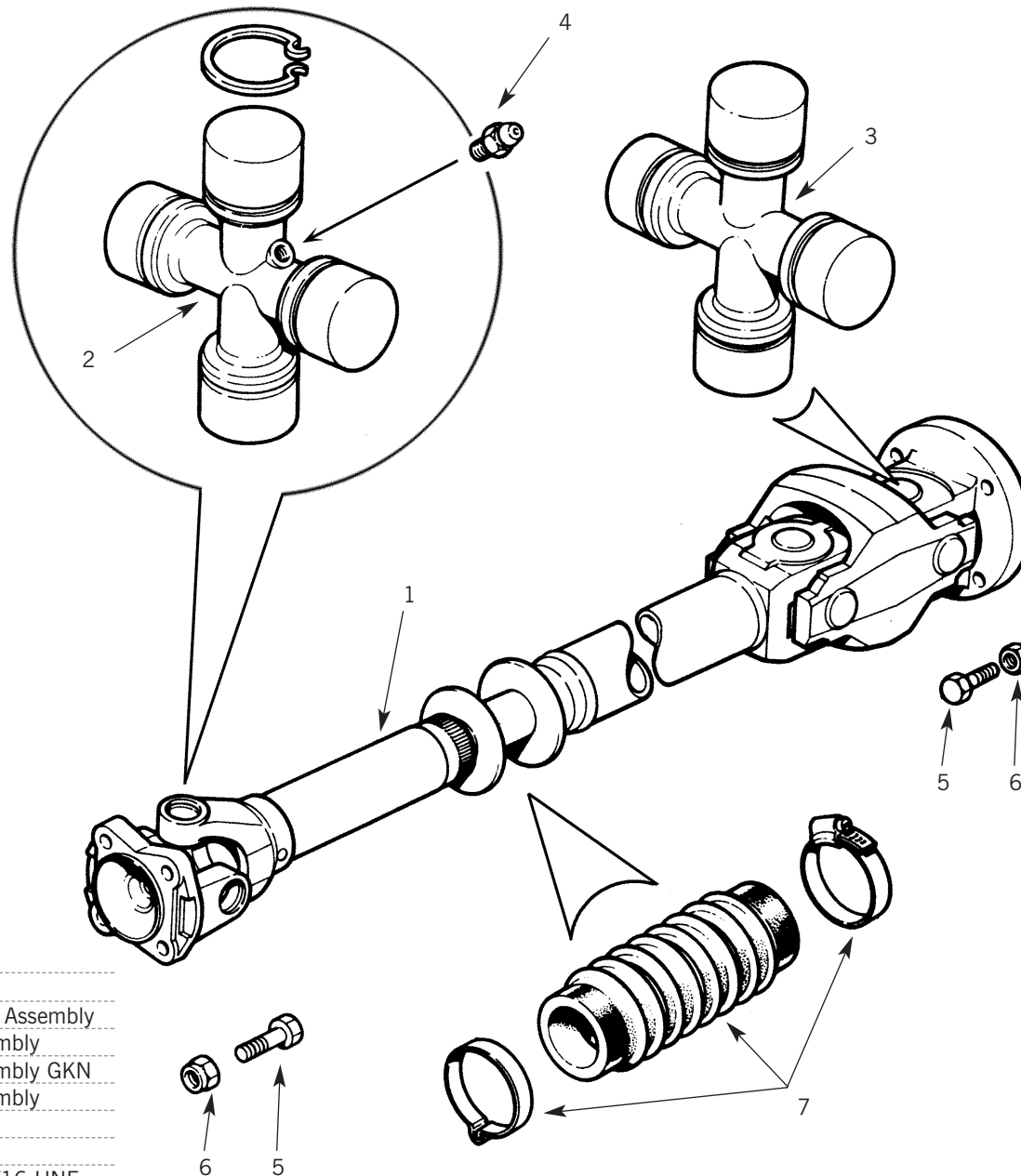
DRAWING REF	QUANTITY	BEARMACH REF	PART NUMBER	DESCRIPTION
1		BR 0404	236398	Propeller Shaft Rear 88"
		BR 0406	553000	Propeller Shaft Assembly Front
		BR 0409	STC573	Propeller Shaft Rear 88"
		BR 3074	STC574	Propeller Shaft Assembly Front
		BR 3075	591279	Propeller Shaft Rear 109" 4cyl
		591283	591283	Propeller Shaft Rear 109" 6cyl
2	2	BR 0663	8407L	Splined Shaft End Assembly
3	2	BR 0982	234532	Grease Nipple
4	4	BR 0686	509045P	Bolt Propeller UNF 3/8 x 1.1/8"
5	4	BR 1552	NY606041L	Lock Nut - 3/8" UNF
6	2	BR 0664	600656	Yoke Propshaft
7	1	BR 0661	276484	Grommet with Clips
8	2	BR 1741	RTC3346	Universal Joint Assembly
	2	BR 1741G	RTC3346G	Universal Joint Assembly GKN
9		BR 0663	8407L	Splined Flange End
10		BR 1480	601790	Stub Shaft Rear 109"



B  
E  
A  
R  
M  
A  
C  
H

# Front Propeller Shaft

## 109" V8



DRAWING REF	QUANTITY	BEARMACH REF	PART NUMBER	DESCRIPTION
1		Obsolete	AEU1583	Front Propeller Shaft Assembly
2		BR 1741	RTC3346	Universal Joint Assembly
		BR 1741G	RTC3346G	Universal Joint Assembly GKN
3		AEU1997	AEU1997	Universal Joint Assembly
4		BR 0151	549229	Grease Nipple
5		BR 0686	509045P	Bolt
6		BR 1179	NY607041L	Nut - Self Locking 7/16 UNF
7		BR 0661	276484	Grommet with Clips

Tel: +44 (0)29 20 856 550

Manufacturers' part numbers are used for reference purposes only





BEARMACH

# Rubber Grommets and Boot Covers

## Series 2a and 3



1



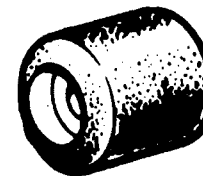
2



3



4



5



6



7



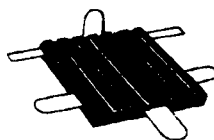
8



9



10



11



12



13

DRAWING REF	BEARMACH REF	PART NUMBER	DESCRIPTION
1	BR 0857	232604	Rubber Seal Plug Dust Cover
2	BR 0661	276484	Rubber Boot Prop Shaft
3	BR 0857	232604	Rubber Seal For Tunnel Cover
4	BR 1855	338871	Rubber Seal Transfer Gear Lever Ser2a & 3
5	304125	304125	Seat Buffer
6	BR 2071	338780	Rubber Seal Handbrake
7	BR 1940	515466	Rubber Seal Handbrake Backing Plate Ser3

DRAWING REF	BEARMACH REF	PART NUMBER	DESCRIPTION
8	BR 2077	301437	Rubber Seal - Gear Lever
9	553262	553262	Grommet - Bell Housing
10	334189	334189	Grommet - Centre Tunnel
11	BR 1135	278166	Pedal Rubbers - Clutch and Brake
12	MRC3613	MRC3613	Rubber Seal - Transfer Lever V8
13	MRC4857	MRC4857	Rubber Seal - Gear Level V8

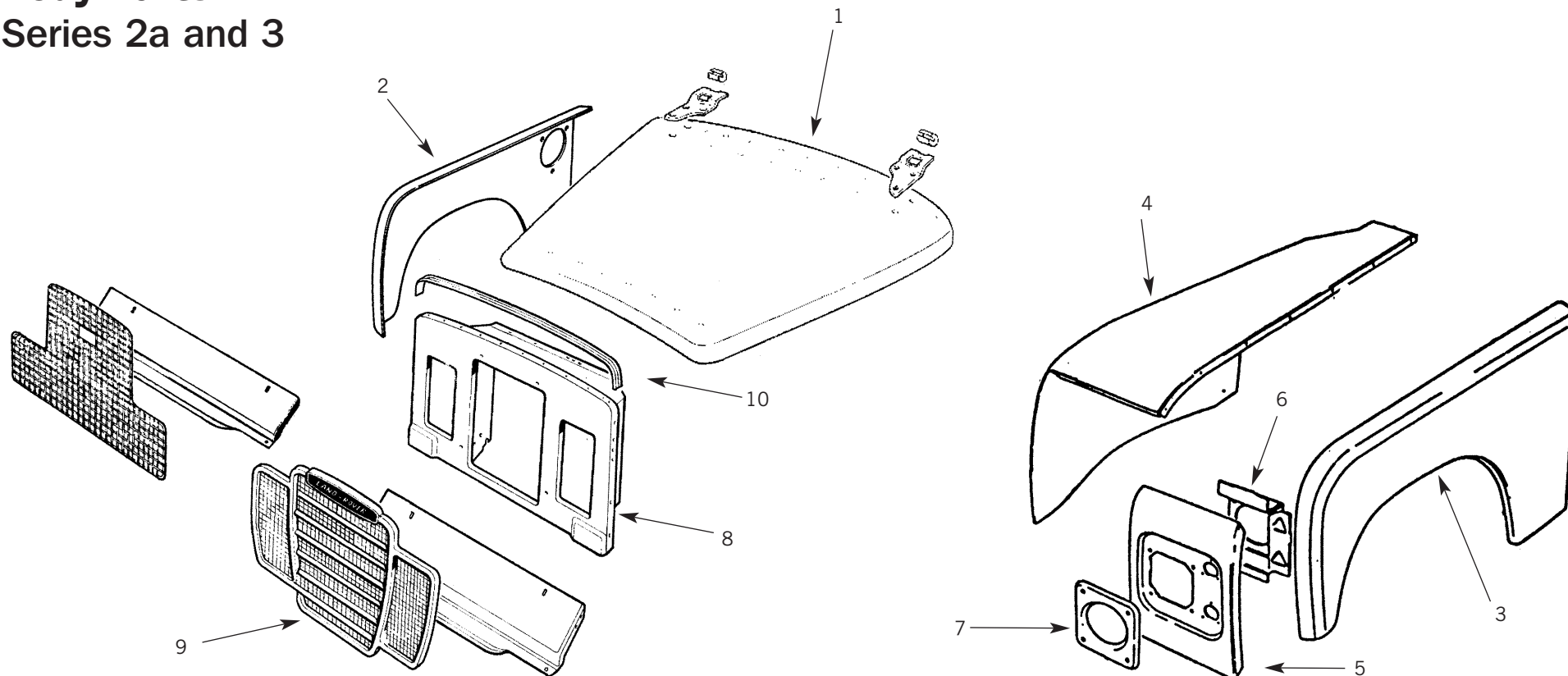
Website - www.bearmach.com

PARTS SUITABLE FOR  
**LAND ROVER SERIES 2a & 3**



# Body Parts

## Series 2a and 3



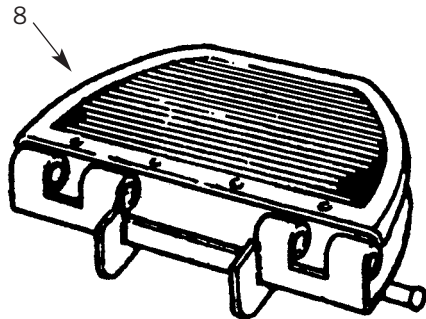
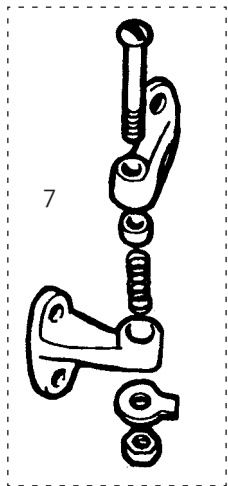
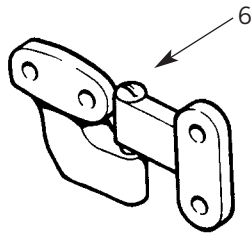
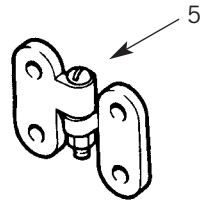
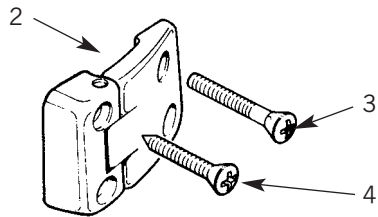
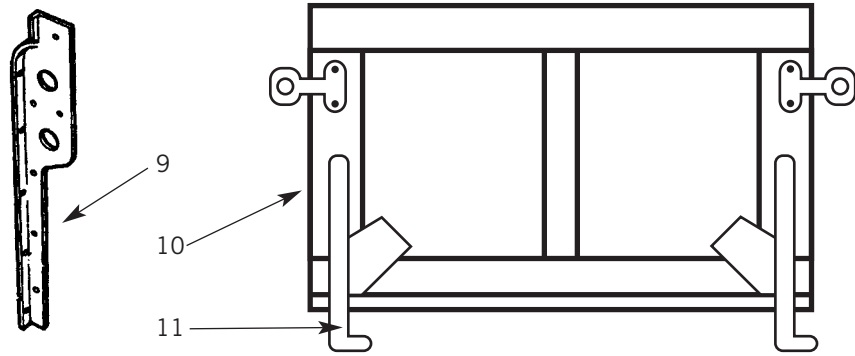
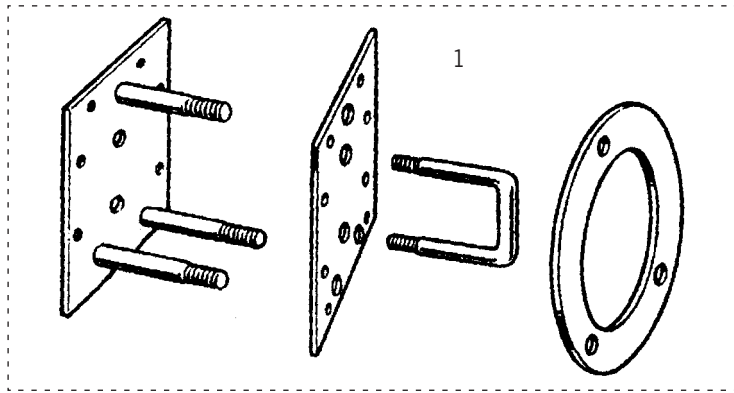
DRAWING REF	BEARMACH REF	PART NUMBER	DESCRIPTION
1	BR 2200A	MRC2479	Bonnet Deluxe
	BR 2200	337963	Bonnet Ser2
	MRC2440	MRC2440	Bonnet Deluxe Recessed (Optional)
2	BR 0933	347474	Wing Panel With Air Hole RH
	BR 0934	STC8295	Wing Panel With Air Hole LH
3	BR 1868	STC8294	Wing Panel RH
	BR 1869	330427	Wing Panel LH
4	BR 0984	STC835	Wing & Valance Assembly RH
	BR 0985	STC836	Wing & Valance Assembly LH

DRAWING REF	BEARMACH REF	PART NUMBER	DESCRIPTION
5	BR 1904	345623	Front Panel RH Ser3
	BR 1905	345624	Front Panel LH Ser3
6	BR 1727	345620	Light Panel RH Ser3
	BR 1728	345621	Light Panel LH Ser3
7	BR 1878	345631	Head Lamp Bezel Plate LH and RH
8	347955	347955	Radiator Support Ser3
9	BR 0546	346346	Front Grille Ser3
10	300824	300824	Bonnet Cloth Strip



BEARMACH

# Tailboard and Rear Door Fittings

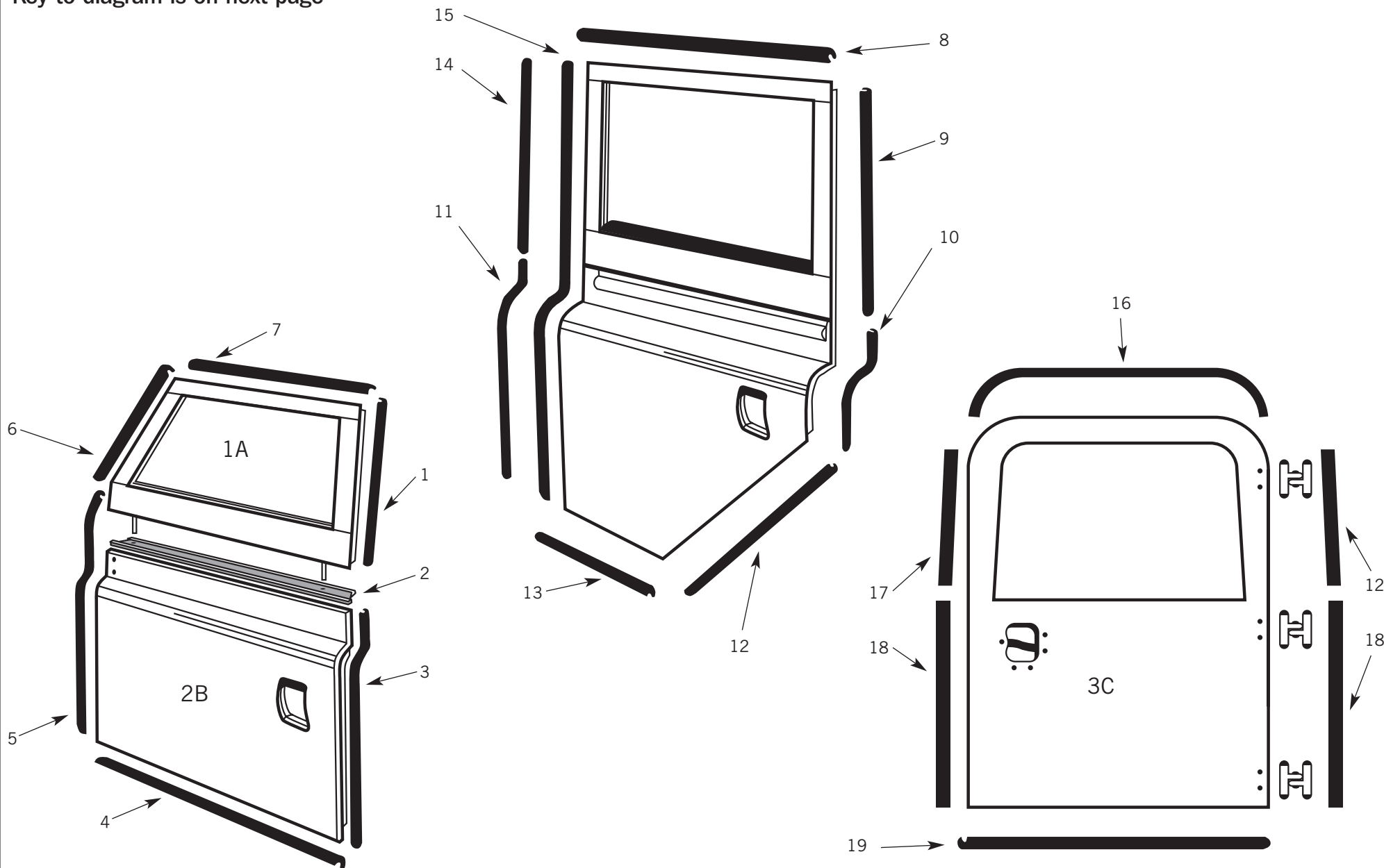


DRAWING REF	QUANTITY	BEARMACH REF	PART NUMBER	DESCRIPTION
1		BA 133	BA 133	Rear Door Wheel Carrier
2	2	BR 1122	MXC8282	Door Hinge Assembly RH
	2	BR 1170	MXC8283	Door Hinge Assembly LH
3	8	BR 0161	MRC2762	Door Hinge Screw Ser2a
4	8	BR 0140	79221	Door Hinge Screw Ser3
5		BR 1115	BHB710051	Door Hinge Upper Rear Door
6		BR 1860	BHB710060	Door Hinge Lower Rear Door
7		BR 1860	BHB710060	Rear Door Hinge
8		BR 1455	605934	Rear Step Kit
9		BR 0808	MXC8934	Corner Cap RH
		BR 0809	MUC8717	Corner Cap LH
		BR 0116	333254	Corner Cap LH
		BR 0131	333253	Corner Cap RH
10		320604	320604	Tail Board
11		BR 1128	MUC8741	Hinge for Tailboard



# Doors and Door Seals

Key to diagram is on next page



Tel: +44 (0)29 20 856 550

Manufacturers' part numbers are used for reference purposes only



# Doors and Door Seals

Key to diagram of previous page

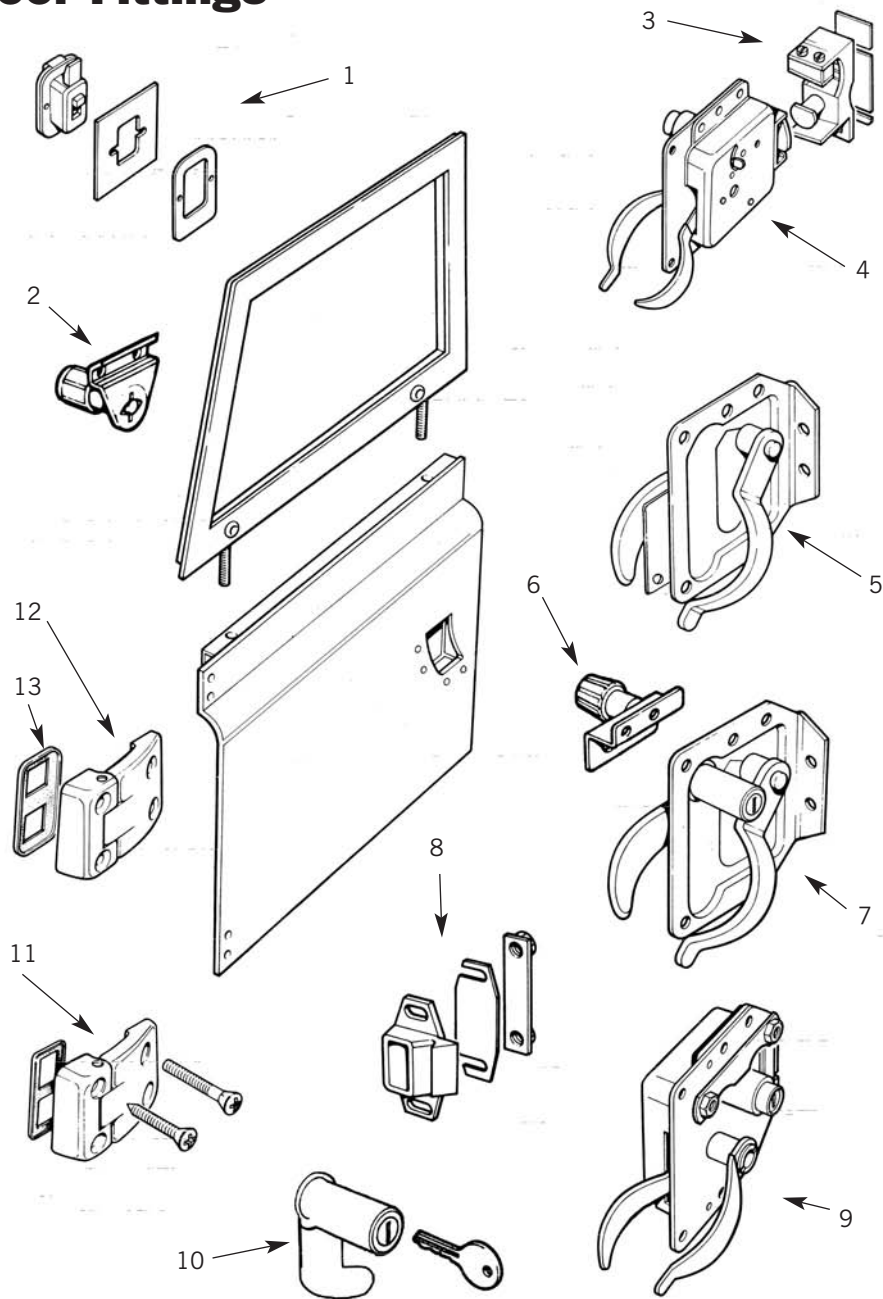
DRAWING REF	QUANTITY	BEARMACH REF	PART NUMBER	DESCRIPTION
<b>Front Door Seals</b>				
1		BR 1871	395674	Sealing Rubber - Back Door Top RH and LH
2		BR 1527	330163	Door Seal Middle
3		BR 1874	395670	Sealing Rubber Back RH
		BR 1875	395671	Sealing Rubber Back LH
4		BR 1876	MRC5740	Sealing Rubber Bottom Door LH and RH Door
5		BR 2197R	395598	Sealing Rubber Lower Door RH
		BR 2197L	395599	Sealing Rubber Lower Door LH
6		BR 1872	395672	Sealing Rubber Front Side Door Top LH and RH
7		BR 2078	395673	Sealing Rubber Top Door and Roof LH and RH
		BR 1037	MWC1080	Sealing Rubber Front RH one Piece
		BR 1038	MWC1081	Sealing Rubber Front LH one Piece
<b>Rear Side Door Seals</b>				
8		MRC9397	MRC9397	Door Seal - Rearside Top RH and LH
9		BR 1528	333262	Door Seal Rear LH
		BR 1519	333261	Door Seal Rear LH
10		BR 1871	395674	Sealing Rubber Rear Door Top LH and RH
11		BR 1875	395671	Sealing Rubber Rear Side LH
		BR 1874	395670	Sealing Rubber Rear Side RH
12		BR 1872	395674	Sealing Rubber Rear Side LH and RH
13		BR 1518	333233	Sealing Rubber Rear Side Door Bottom LH and RH
14		BR 1871	395674	Sealing Rubber Rear Side Door LH and RH
15		333229	333229	Sealing Rubber Rear Side Door LH and RH
		BR 1046	MWC1082	Door Seal Rear Side Door One Piece RH
		BR 1047	MWC1083	Door Seal Rear Side Door One Piece LH
<b>Rear Door Seals</b>				
16	2	396113	396113	Sealing Rubber Back Door Top
17	2	BR 1871	395674	Sealing Rubber Rear Door Top Side
18		BR 1515	332563	Sealing Rubber Rear Door S/W
19		BR 1517	332564	Sealing Rubber Rear Door Bottom

DRAWING REF	QUANTITY	BEARMACH REF	PART NUMBER	DESCRIPTION
<b>DOORS and DOOR SKINS</b>				
1A		BR 1862	MTC5382	Side Screen Assembly RH Front with Glass
		BR 2313	MTC5383	Side Screen Assembly LH Front with Glass
		BR 1862R	347492	Side Screen Assembly RH Front without Glass
		BR 2313R	347493	Side Screen Assembly LH Front without Glass
2B		BA 2010L		Door Skin LH Front
		BA 2010R		Door Skin RH Front
		BR 1883R	395529	Door Assembly RH Front Basic
		BR 2199R	395534	Door Assembly LH Front Basic
		MRC4121	MRC4121	Door Lightweight RH Front
		MRC4122	MRC4122	Door Lightweight LH Front
3C		BR 1716	MTC9917	Door Rear End Station Wagon
		BR 1716A	BR 1716A	Door Rear End Skin Safari



BEAR MACH

# Door Fittings



DRAWING REF	BEARMACH REF	PART NUMBER	DESCRIPTION
1	347322	347322	Window Catch
2	BR 3057	332435	Window Catch
3	ALR 4652	ALR 4652	Striker Lock 88" & 109" models Front Doors RH
	ALR 4652	ALR 4652	Striker Lock 109" Wagon Rear Side Door RH
	ALR 4652	ALR 4652	Striker Lock 88" & 109" models Rear Doors RH
	ALR 4651	ALR 4651	Striker Lock 88" & 109" models Front Doors LH
	ALR 4651	ALR 4651	Striker Lock 109" Wagon Rear Side Door LH
4	395038	395038	Door Lock Anti-burst LH
	395037	395037	Door Lock Anti-burst RH
	395037	395037	Door Lock Anti-burst Rear Door
5	BR 1757	345433	Door Lock Without Key RH
	BR 1758	345434	Door Lock Without Key LH
6	BR 1453	345435	Button For Door Lock RH
	BR 1452	345436	Button For Door Lock LH
7	BR 2115	337801	Door Lock With Key RH
	BR 2113	337802	Door Lock With Key LH
8	BR 2110	MTC4195	Door Striker Assembly
9	BR 2114	337789	Door Lock With Key Rear
10	BR 2109	320609	Barrel Lock
11	BR 1122	MXC8282	Door Hinge RH
12	BR 1170	MXC8283	Door Hinge LH
13	347369	347369	Washer - Door Hinge

Tel: +44 (0)29 20 856 550

Manufacturers' part numbers are used for reference purposes only

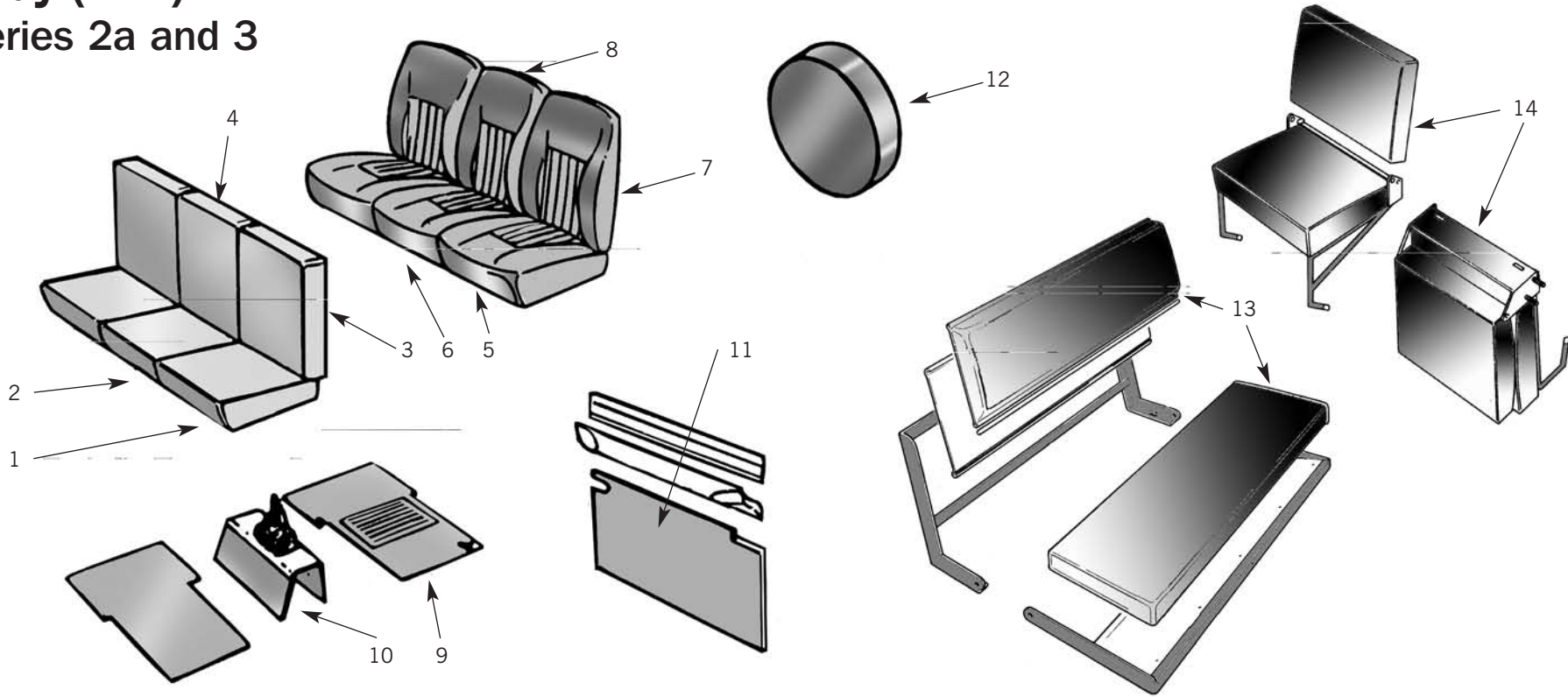




BEARMACH

# Body (Trim)

## Series 2a and 3



DRAWING REF	BEARMACH REF	PART NUMBER	DESCRIPTION
1	BR 1091		Standard Outer Front Cushion Black
	BR 1692		Standard Cushion – Outer Adjustable
2	BR 1090		Standard Centre Cushion Front Black
3	BR 1074		Standard Outer Squabs Front Black
4	BR 1075		Standard Centre Squabs Front Black
5	BR 1698		Deluxe Outer Cushion Front Black
6	BR 1690		Deluxe Centre Cushion Front Black
7	BR 1699		Deluxe Outer Squabs Front Black
8	BR 1689		Deluxe Centre Squab Front Black
9	BA 2002		Carpet Trim Set 7 Piece
10	BA 050		Tunnel cover - Hardura
	BA 045		Sound Deadening Kit Front Only

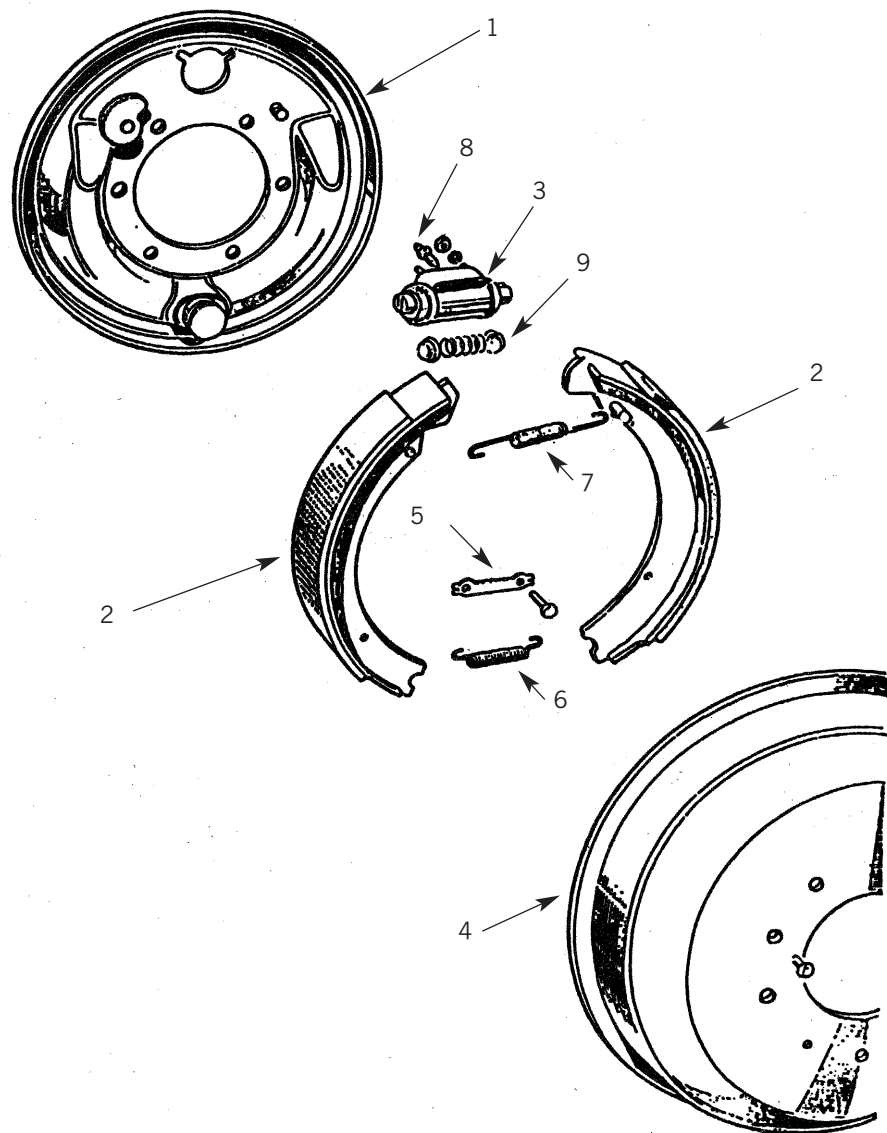
DRAWING REF	BEARMACH REF	PART NUMBER	DESCRIPTION
11	BA 049		Door Trim Kit complete - Two doors
	BA 044		Door Trim Rear End
12	BA 041		Spare Wheel Cover - 600 x 16" Vinyl
	BA 042/A		Spare Wheel Cover - 650/205 x 16"
	BA 042		Spare Wheel Cover - 750 x 16"
13	BR 1696		Bench Seat Black Vinyl
	BR 1696G		Bench Seat Grey Vinyl
	BR 1696M		Bench Seat Moorland
	BR 1696T		Bench Seat Techno
14	BA 2092		Side Facing Individual Seat with Fixing Kit Moorland
	BA 2093		Side Facing Individual Seat with Fixing Kit Black Vinyl
	BA 2093G		Side Facing Individual Seat with Fixing Kit Grey Vinyl
	BA 2093T		Side Facing Individual Seat with Fixing Kit Techno

PARTS SUITABLE FOR  
**LAND ROVER SERIES 2a & 3**



BEARINGMACH

# Brakes - Front and Rear 10" 88" up to 1980



DRAWING REF	BEARMACH REF	PART NUMBER	DESCRIPTION
1	BR 0911	515406	Anchor Plate 88" LH
	BR 0910	515405	Anchor Plate 88" RH
2	BR 1775	STC2796	Brake Shoes Axle - Set of Four
	BR 1775G	STC2796G	Brake Shoes Axle - Set of Four OEM
	BR 1514	504577	Linings - Set of Four with Rivets
3	BR 1096	243296	Wheel Cylinder RH Front 88" and Rear 109"
	BR 1096G	243296G	Wheel Cyl RH Front 88" and Rear 109" OEM
	BR 1095	243297	Wheel Cylinder LH Front 88" and Rear 109"
	BR 1095G	243297G	Wheel Cyl LH Front 88" and Rear 109" OEM
	BR 1098	243302	Wheel Cylinder RH Rear 88"
	BR 1098G	243302G	Wheel Cylinder RH Rear 88" OEM
	BR 1099	243303	Wheel Cylinder LH Rear 88"
	BR 1099G	243303G	Wheel Cylinder LH Rear 88" OEM
3a	BCK 32	275744	Wheel Cylinder Overhaul Kit Front
	BCK 33	266687	Wheel Cylinder Overhaul Kit Rear
	BCK 33G	266687G	Wheel Cylinder Overhaul Kit Rear OEM
	BA 144	RTC3176	Brake Adjuster Kit
4	BR 0636	591661	Brake Drum 10" Ser2a
	BR 0636S	591039	Brake Drum 10" Ser3
5	BR 0965	277311	Locker Plate
6	BR 0505	218983	Spring - Brake Shoe
7	BR 0506	503981	Spring - Brake Shoe
8	BR 2008	556508	Bleed Screw - Wheel Cylinder
9	BR 1064	242117	Washer Cup

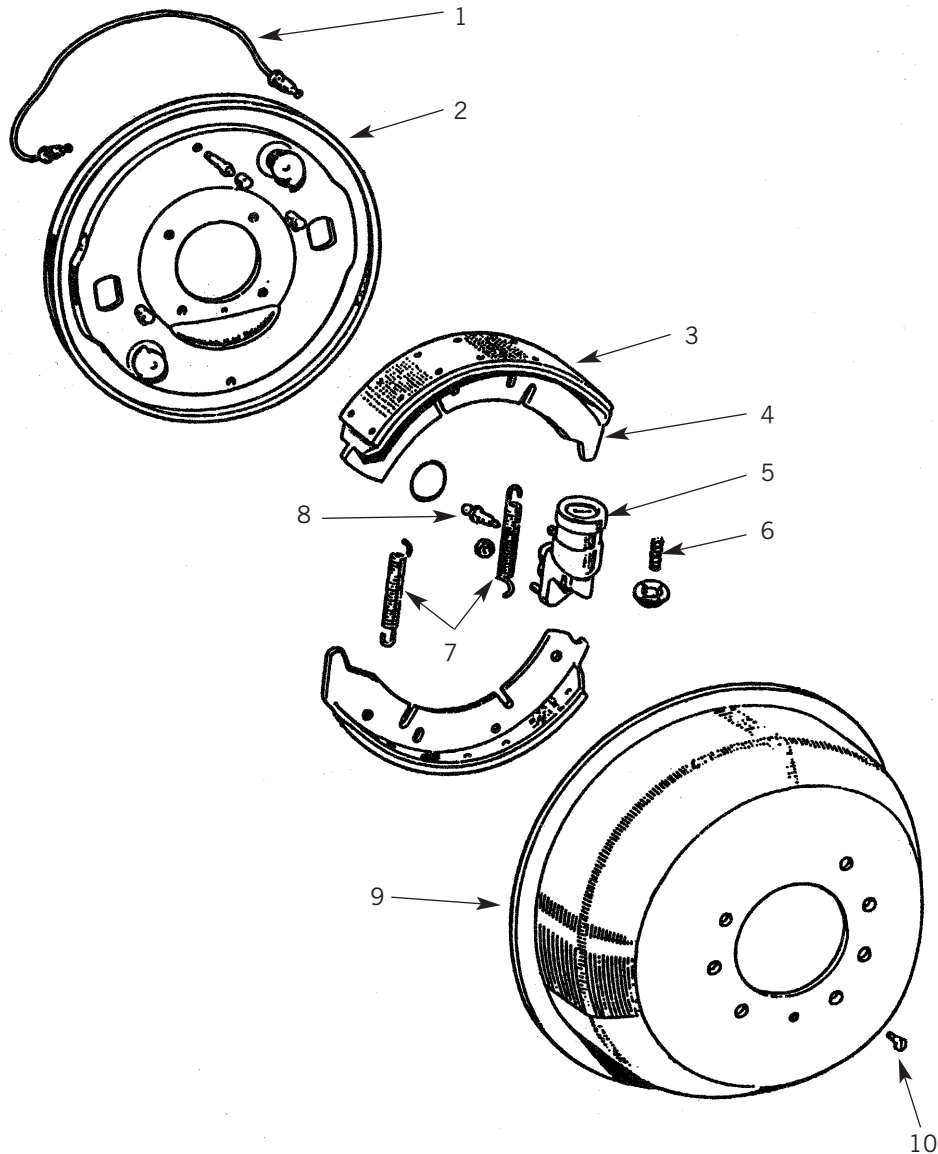
Tel: +44 (0)29 20 856 550

Manufacturers' part numbers are used for reference purposes only



# Brakes - Front 11"

## 109" 4 cylinder models and 88" from 1980

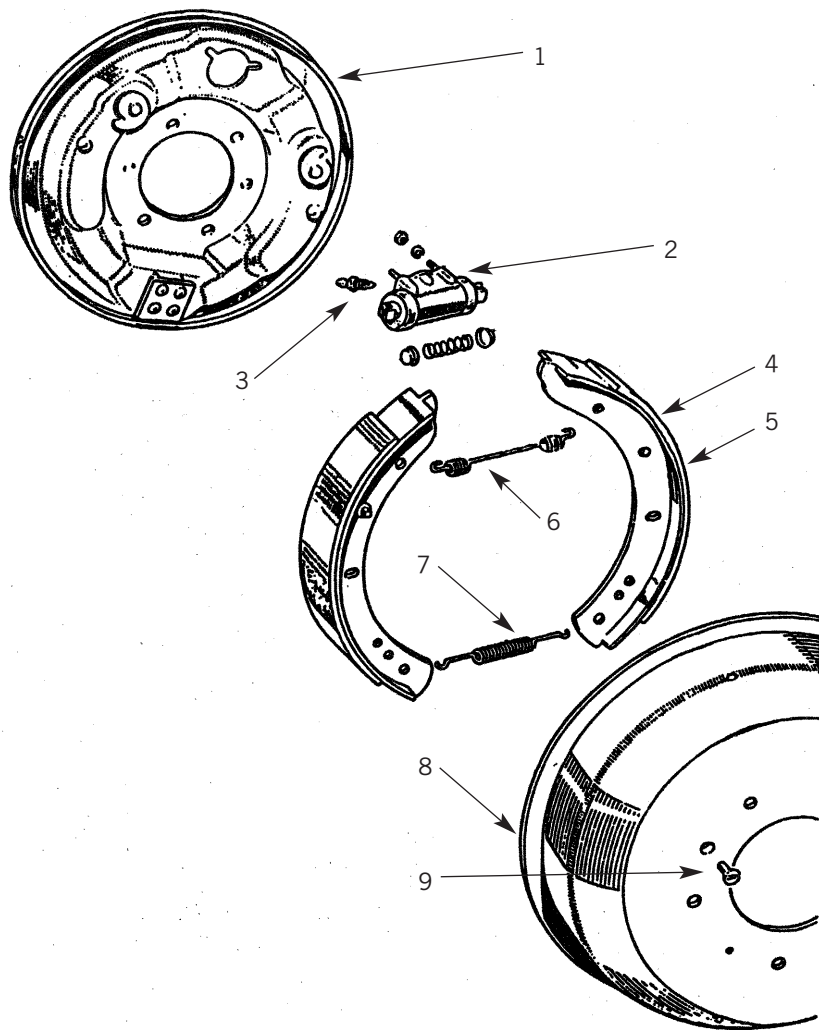


DRAWING REF	BEARMACH REF	PART NUMBER	DESCRIPTION
1	BR 0830	NRC5347	Brake Pipe
2	BR 1801	246565	Anchor Plate 109" LH Front
	BR 1802	246556	Anchor Plate 109" RH Front
3	BR 1331	AAU8471	Linings - Set of Four with Rivets
4	BR 1767	RTC3417	Brake Shoes - Set of Four
	BR 1767G	RTC3417G	Brake Shoes - Set of Four OEM
5	BR 1102	243744	Wheel Cylinder RH 109"
	BR 1102G	243744G	Wheel Cylinder RH 109" OEM
	BR 1101	243743	Wheel Cylinder LH 109"
	BR 1101G	243743G	Wheel Cylinder LH 109" OEM
6	BR 0393	233211	Spring Wheel Cylinder
7	BR 0507	234889	Spring - Brake Shoe 109" Front
8	BR 2008	556508	Bleed Screw - Wheel Cylinder
9	BR 1601	516599	Brake Drum 11" Ser2a
	BR 1601S	576973	Brake Drum 11" Ser3
10	BR 0040	1510	Screw Set - Brake Drum
	BCK 27	266684	Brake Cylinder Kit Axle Set



# Brakes - Rear 11"

## 109" Models Series 2a & 3

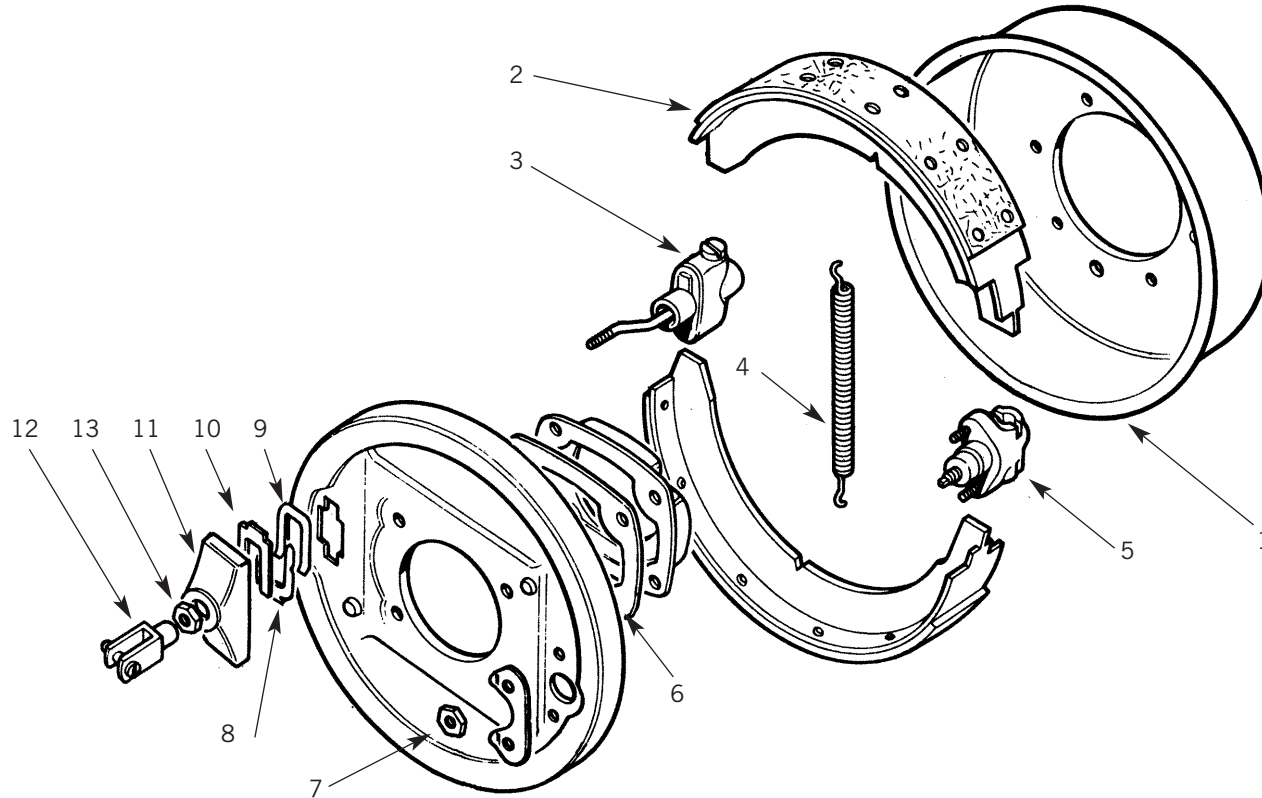


DRAWING REF	BEARMACH REF	PART NUMBER	DESCRIPTION
1	BR 1982	531888	Anchor Plate 109" LH Rear
	BR 1981	531889	Anchor Plate 109" RH Rear
2	BR 1095	243297	Wheel Cylinder LH Rear 109"
	BR 1095	243297	Wheel Cylinder LH Front 88"
2	BR 1095G	243297G	Wheel Cyl LH for Front 88" & Rear 109" OEM
	BR 1096	243296	Wheel Cylinder RH Rear 109"
	BR 1096	243296	Wheel Cylinder RH Front 88"
	BR 1096G	243296G	Wheel Cyl RH Front 88" and Rear 109" OEM
3	BR 2008	556508	Bleed Screw - Wheel Cylinder
4	BR 1768	STC359	Brake Shoe Kit - Set of Four
	BR 1768G	STC359G	Brake Shoe Kit - Set of Four OEM
5	BR 1332	STC2795	Brake Linings - Set of Four with Rivets
6	BR 0511	548169	Spring - Brake Shoe 109" Rear
7	BR 0510	531893	Spring - Brake Shoe 109" Rear
8	BR 1601	516599	Brake Drum 11" Ser2a
	BR 1601S	576973	Brake Drum 11" Ser3
9	BR 0040	1510	Screw Set - Brake Drum
10	BCK 32	275744	Brake Wheel Cylinder Kit
11	BA 144	RTC3176	Brake Adjuster Kit



B  
E  
A  
R  
M  
A  
C  
H

# Transmission Brake



DRAWING REF	QUANTITY	BEARMACH REF	PART NUMBER	DESCRIPTION
1		BR 1842	274423	Brake Drum 109" 4 Cylinder
2		BR 0385	RTC2960	Brake Lining 8 Hole
		BR 1774	STC3821	Brake Shoe Pair
		BR 1774G	STC3821G	Brake Shoe Pair OEM
3		BR 0628	515366	Expander Unit
4		BR 0330	FRC8549	Pull Spring
5		BR 2047	37H61342	Adjuster Unit
6		BR 0583	561856	Gasket

DRAWING REF	QUANTITY	BEARMACH REF	PART NUMBER	DESCRIPTION
7		BR 0623	NH604041L	Nut
8		BR 1941	515467	Lock Plate
9		BR 2017	515468	Spring
10		BR 2045	515470	Lock Plate
11		BR 1940	515466	Dust Cover For Expander Kit
12		BR 0370	216420	Clevis Pin
13		BR 0344	2828	Lock Nut

Website - [www.bearmach.com](http://www.bearmach.com)

PARTS SUITABLE FOR  
**LAND ROVER SERIES 2a & 3**

PAGE  
**19**

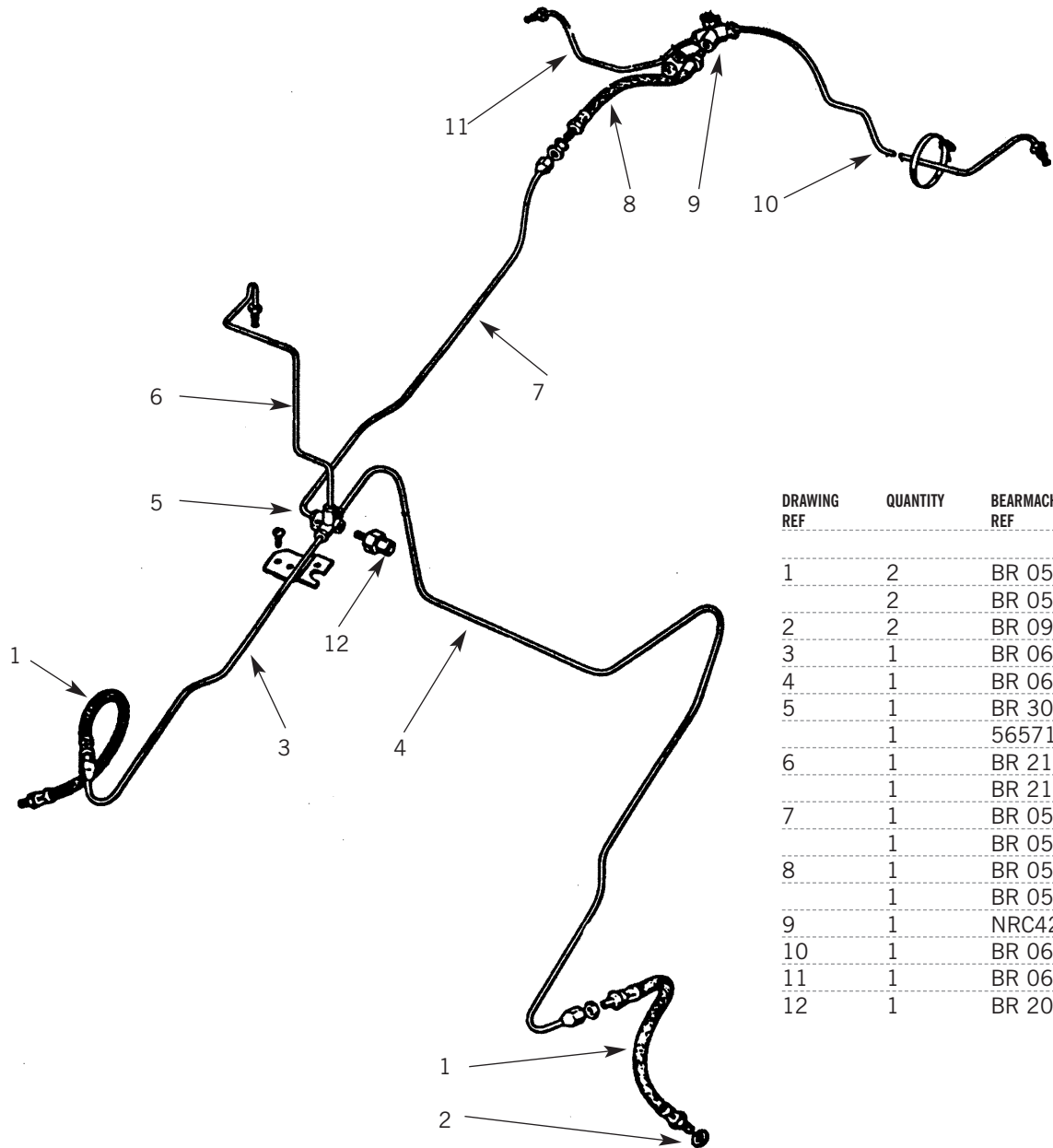
**QUICK REFERENCE**



BEARMACH

# Brake Pipes – 4 cylinder models

## Series 2a – 88" and 109"



DRAWING REF	QUANTITY	BEARMACH REF	PART NUMBER	DESCRIPTION
1	2	BR 0513	RTC3386	Brake Hose Front Flex
	2	BR 0517	577681	Brake Hose Front Flex 1Ton
2	2	BR 0971	233220	Copper Sealing Washer
3	1	BR 0635	277923	Brake Pipe
4	1	BR 0634	277922	Brake Pipe
5	1	BR 3037	241690	Five-way Junction Piece (NLS)
	1	565719	565719	Four-way Junction Connector
6	1	BR 2188	577695	Brake Pipe Master Cyl to Junction LHD
	1	BR 2187	577694	Brake Pipe Master Cyl to Junction RHD
7	1	BR 0527	279418	Brake Pipe to Rear Hose 88"
	1	BR 0529	279452	Brake Pipe to Rear Hose 109"
8	1	BR 0513	RTC3386	Brake Hose Rear 88"
	1	BR 0514	RTC3353	Brake Hose Rear 109"
9	1	NRC4251	NRC4251	Tee Piece Junction Connector
10	1	BR 0638	592374	Brake Pipe LH
11	1	BR 0639	577670	Brake Pipe RH
12	1	BR 2086	STC1689	Stop Switch

Tel: +44 (0)29 20 856 550

Manufacturers' part numbers are used for reference purposes only

QUICK REFERENCE

PAGE  
**20**

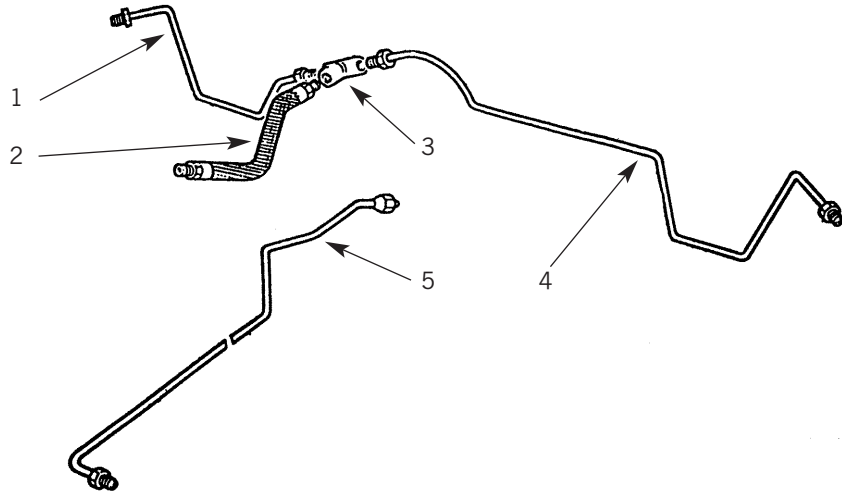
PARTS SUITABLE FOR  
**LAND ROVER SERIES 2a & 3**





B  
E  
A  
R  
M  
A  
C  
H

## Rear Brake Pipes for 88" and 109" Up to June 1980



DRAWING REF	BEARMACH REF	PART NUMBER	DESCRIPTION
-------------	--------------	-------------	-------------

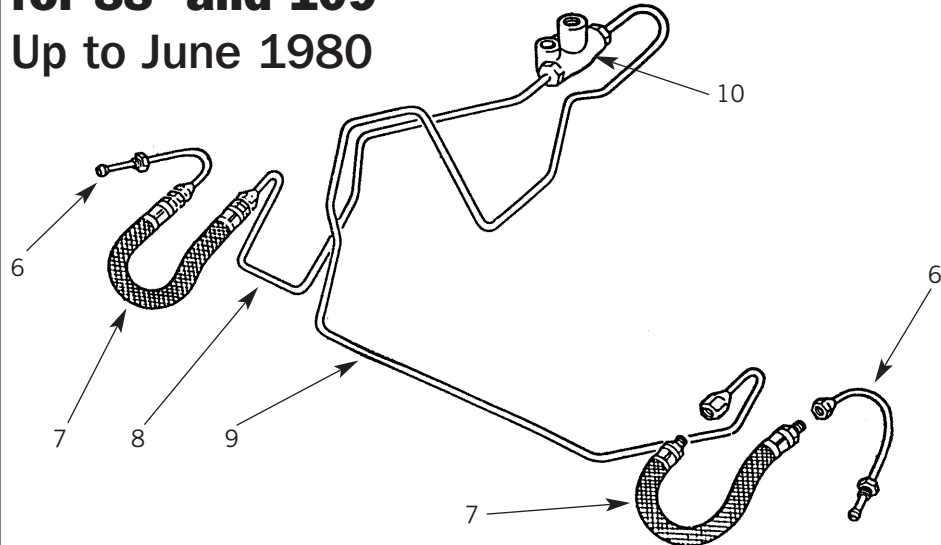
### From July 1980 Rear Pipes

1	BR 1296	NRC4263	Brake Pipe Rear RH 88" and 109" Metric
		NRC4279	Brake Pipe Rear RH 88" and 109"
2	BR 3630	NRC9458	Brake Hose 88"
		NRC4278	Brake Hose 109"
3	BTB657L	BTB657L	Brake Pipe Tee Piece
4	BR 0264	NRC4264	Brake Pipe Rear LH 88"
		NRC4280	Brake Pipe Rear LH 109"
5	BR 0767	NRC4260	Brake Pipe Rear 88"

### Front Pipes Single Line System 88" & 109" up to June 1980

6	BR 0763	537763	Brake Pipe Front LH and RH
7	BR 0764	RTC5903	Brake Hose Front LH and RH
8	BR 0768	592364	Brake Pipe Front RH
		BR 1041	Brake Pipe Front RH 109" 6cylinder
9	BR 1042	565466	Brake Pipe Front LH
10	565719	565719	Tee Piece Connection

## Front Brake Pipes Single Line System for 88" and 109" Up to June 1980

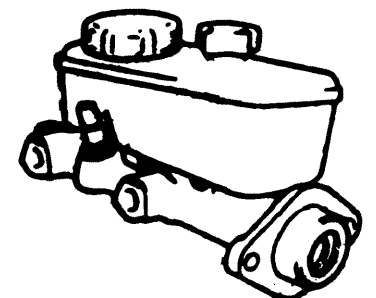
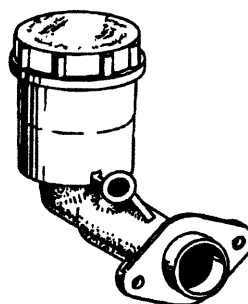
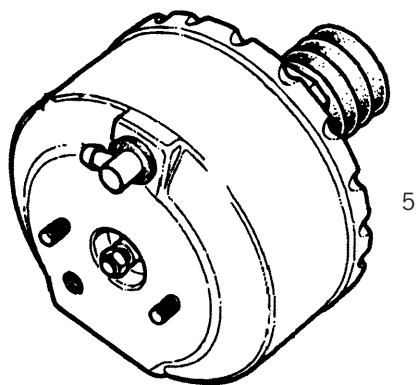
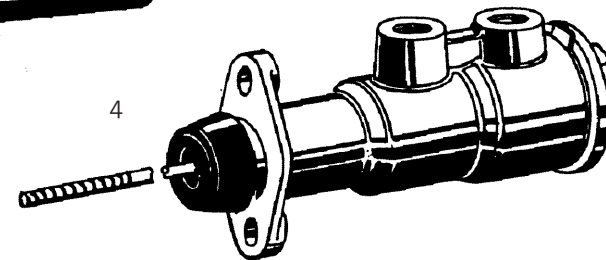
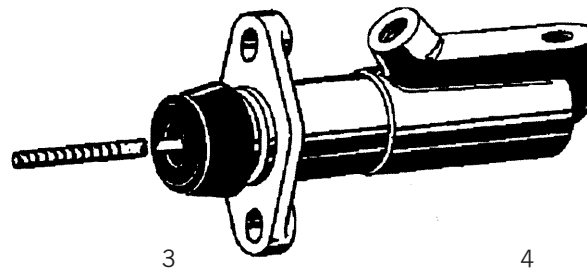
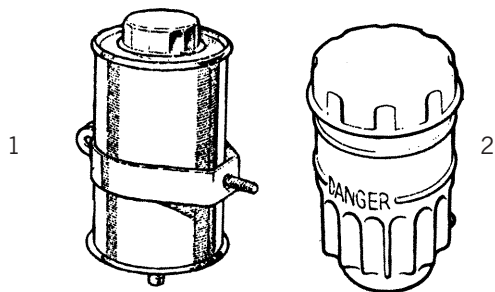




BEARMACH

# Brake System

## Series 2a and 3



DRAWING REF	BEARMACH REF	PART NUMBER	DESCRIPTION
1	BR 2179	504105	Brake & Clutch Reservoir Tank Ser2a
2	90577636	90577636	Brake Fluid Reservoir Tank 88" & 109" Ser3
3	BR 1635	520849	Brake Master Cylinder CB Type Ser1&2
	BR 2226	90569126	Brake Master Cyl 88" up to June 80 CV Type
	BR 2226G	90569126G	Brake Master Cyl 88" up to June '80 CV Type OEM
	BR 2227	90569128	Brake Master Cyl 88" & 109" July 80 on
	BR 2227G	90569128G	Brake Master Cyl 88" & 109" July 80 on OEM
4	BR 1430	564706	Brake Master Cyl Early type CB Type Ser2a
5	BR 2309	STC1816	Brake Servo Assembly
	BR 0248	18G8951L	Brake Servo Repair Kit
6	BR 3022	569339	Brake Master Cylinder 109" 4 Cylinder
	BR 3022G	569339G	Brake Master Cylinder 109" 4 Cylinder OEM

DRAWING REF	BEARMACH REF	PART NUMBER	DESCRIPTION
	BR 2296	606415	Brake Master Cylinder Overhaul Kit 2.6
	BR 2296G	606415G	Brake Master Cylinder Overhaul Kit 2.6 OEM
7	BCK64	8G8837L	Brake Master Cylinder Overhaul Kit
	BCK64G	8G8837G	Brake Master Cylinder Overhaul Kit OEM
	BCK62	90606023	Brake Master Cylinder Overhaul Kit CV Type
	BR 3224	NRC6096	Master Cylinder GIRLING OEM
	AEU1045	AEU1045	Reservoir Kit
	BR 0283	AEU1047	Brake Master Cylinder Repair Kit
	90606422	90606422	Brake Master Cylinder Overhaul Kit 88"
8	BR 0726	90577520	Optional Disc Master Cylinder 1980 109"
	BR 0726G	90577520G	Optional Disc Master Cylinder 1980 109" OEM
	BR 0726A	569671A	Optional Disc Master Cylinder 1980 88"
	BR 0726AG	90577520AG	Optional Disc Master Cylinder 1980 88" OEM

QUICK REFERENCE

PAGE 22

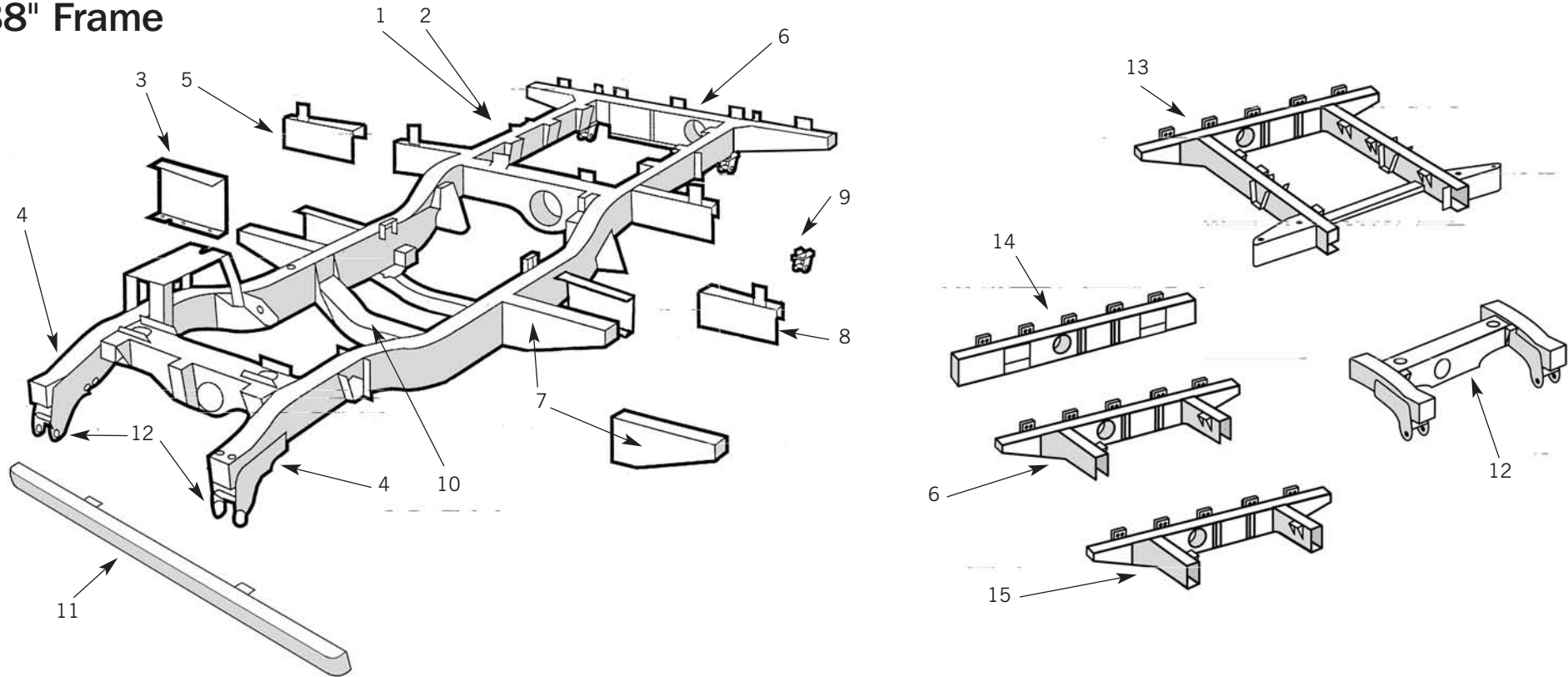
PARTS SUITABLE FOR  
**LAND ROVER SERIES 2a & 3**

Tel: +44 (0)29 20 856 550



# Complete Chassis

## 88" Frame



Drawing Ref	Part No.	Description
<b>CHASSIS – SWB:</b>		
1	BA 2063	Complete SWB Chassis Assembly – Black
2	BA 2062	Complete SWB Chassis Assembly – Galvanised
3	BA 2019	Fuel Tank Outrigger – Front
4	BA 2007/8	Front Chassis Spring Hanger RH and LH
5	BA 2015	Fuel Tank Outrigger – Rear RH
6	BR 3382	Rear Crossmember with Extension
7	BA 2014	Bulkhead Outrigger LH and RH
8	BA 2021	Fuel Tank Outrigger – Rear LH

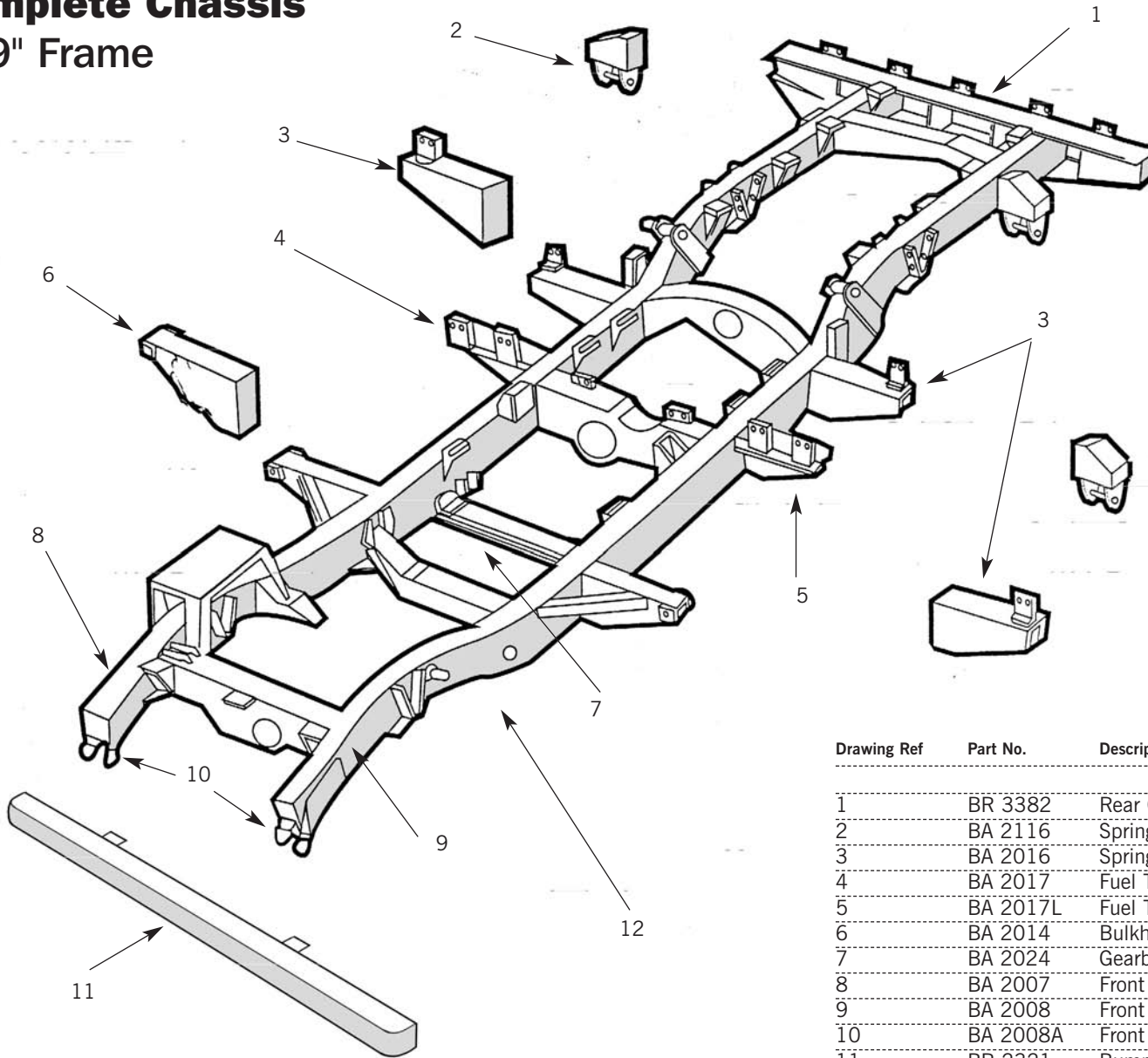
Drawing Ref	Part No.	Description
9	BA 2013	Spring Hanger Rear
10	577414	Engine Crossmember 88"
11	BR 2321	Bumper Front - Galvanised
12	BA 2008A	Front Quarter Chassis
13	BA 2025	Half Chassis
14	BA 2095	Rear Military Crossmember
15	BA 2061	Rear Cross Member with Hangers
16	BA 2023	Gearbox Centre Crossmember



B  
E  
A  
R  
M  
A  
C  
H

# Complete Chassis

## 109" Frame



Drawing Ref	Part No.	Description
1	BR 3382	Rear Crossmember with Extension
2	BA 2116	Spring Hanger Rear RH and LH
3	BA 2016	Spring Hanger Rear & Body Support RH and LH
4	BA 2017	Fuel Tank Outrigger – Side RH
5	BA 2017L	Fuel Tank Outrigger – Side LH
6	BA 2014	Bulkhead Outrigger LH and RH
7	BA 2024	Gearbox Crossmember
8	BA 2007	Front Chassis Spring Hanger RH
9	BA 2008	Front Chassis Spring Hanger LH
10	BA 2008A	Front Chassis Assembly
11	BR 2321	Bumper Front - Galvanised
12	BA 2064	Chassis Assembly – Galvanised

Tel: +44 (0)29 20 856 550

Manufacturers' part numbers are used for reference purposes only

QUICK REFERENCE

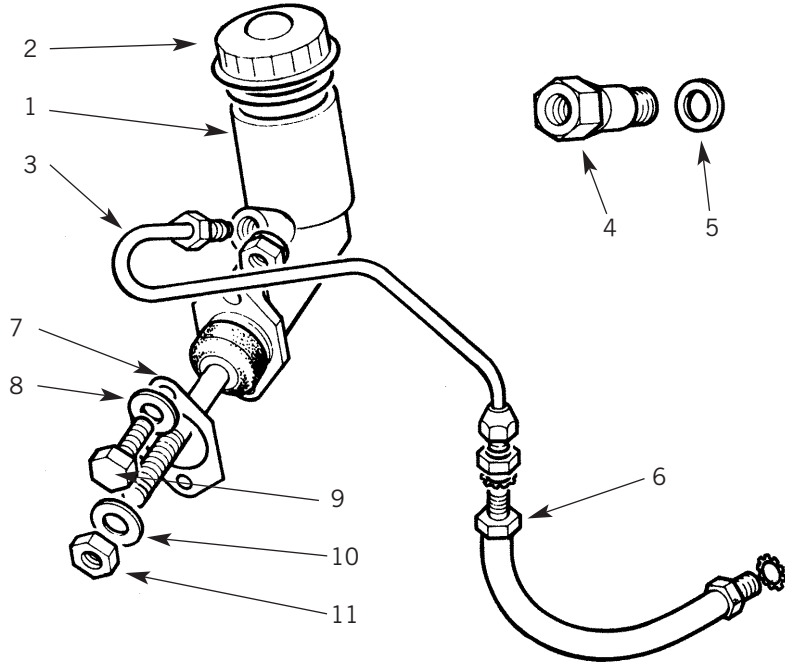
PAGE 24

PARTS SUITABLE FOR  
**LAND ROVER SERIES 2a & 3**

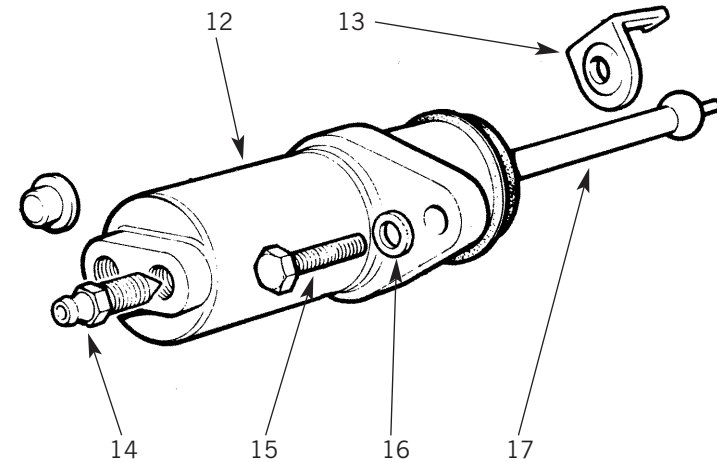


B  
E  
A  
R  
M  
A  
C  
H

## Clutch Master Cylinder Series 3



## Clutch Slave Cylinder Series 3



DRAWING REF	QUANTITY	BEARMACH REF	PART NUMBER	DESCRIPTION
1		BR 3018	550732	Clutch Master Cylinder
		BR 3018G	550732G	Clutch Master Cylinder OEM
		BCK64	8G8837L	Clutch Master Cyl Repair Kit
		BCK64G	8G8837G	Clutch Master Cyl Repair Kit OEM
2		BR 0900	STC976	Filler Cap Reservoir
3		BR 0776	577687	Clutch Pipe RH
		BR 0777	NRC4222	Clutch Pipe LH
4		139082	139082	Adaptor
5		BR 0971	233220	Gasket Copper Washer
6		BR 0850	RTC5940	Hose For Slave Cylinder
7		592358	592358	Gasket
8		BR 2069	3830L	Plain Washer
9		BR 0684	255229	Bolt - 5/16" UNF x 1.1/8"
10		BR 3581	WA108051L	Plain Washer

DRAWING REF	QUANTITY	BEARMACH REF	PART NUMBER	DESCRIPTION
11		BR 0321	SH605041L	Nut - 5/16" UNF
12		BR 3021	591231	Clutch Slave Cylinder
		BR 3021G	591231G	Clutch Slave Cylinder OEM
		BCK49	8G8600L	Clutch Slave Cyl Repair Kit
		BCK49G	8G8600G	Clutch Slave Cyl Repair Kit OEM
13		576723	576723	Clip
14		BR 2008	556508	Screw Bleed Nipple
15		BR 0801	FS108257L	Set Screw
16		BR 2068	WM600051L	Spring Washer
		576751	576751	Push Rod

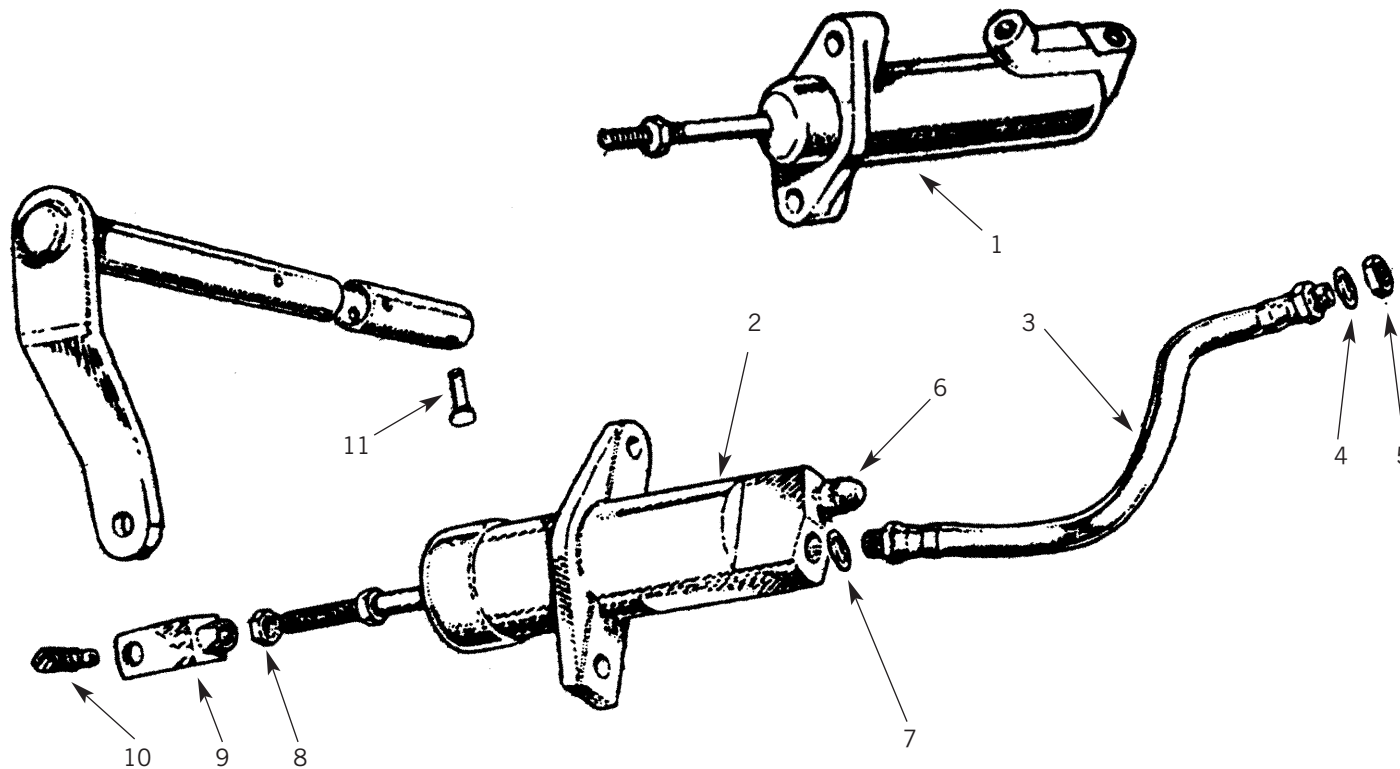
Website - [www.bearmach.com](http://www.bearmach.com)





B  
E  
A  
R  
M  
A  
C  
H

# Clutch Slave and Master Cylinder Series 2a



DRAWING REF	BEARMACH REF	PART NUMBER	DESCRIPTION
1	BR 2226	90569126	Clutch Master Cylinder CV Type Ser2a
	BR 2226G	90569126G	Clutch Master Cylinder CV Type Ser2a OEM
	BCK64	8G8837L	Clutch Master Cylinder Repair Kit
2	BCK64G	8G8837G	Clutch Master Cylinder Repair Kit OEM
	BR 1084	266694	Clutch Slave Cylinder Assembly
	BR 1084G	266694G	Clutch Slave Cylinder Assembly OEM
3	BCK49	8G8600L	Clutch Slave Cylinder Repair Kit
	BCK49G	8G8600G	Clutch Slave Cylinder Repair Kit OEM
	BR 0513	RTC3386	Clutch Hose
4	NT606041L	NT606041L	Special Nut

DRAWING REF	BEARMACH REF	PART NUMBER	DESCRIPTION
5	BR 1250	NY108041L	Locking Nut
6	BR 2008	556508	Bleed Screw - Nipple
7	BR 0971	233220	Gasket Washer
8	BR 0321N	NH605041L	Nut 5/16" UNF
9	BR 0327	275199	Clevis End
10	BR 0370	216421	Clevis Pin Screw Type
11	BR 0337	536803	Clevis Pin

Tel: +44 (0)29 20 856 550

Manufacturers' part numbers are used for reference purposes only

QUICK REFERENCE

PAGE  
26

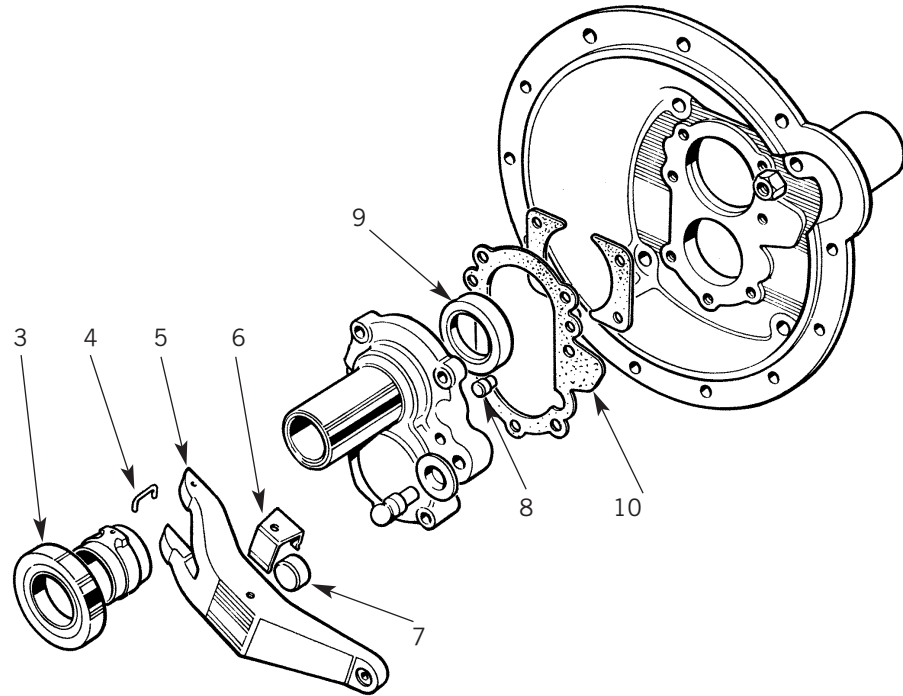
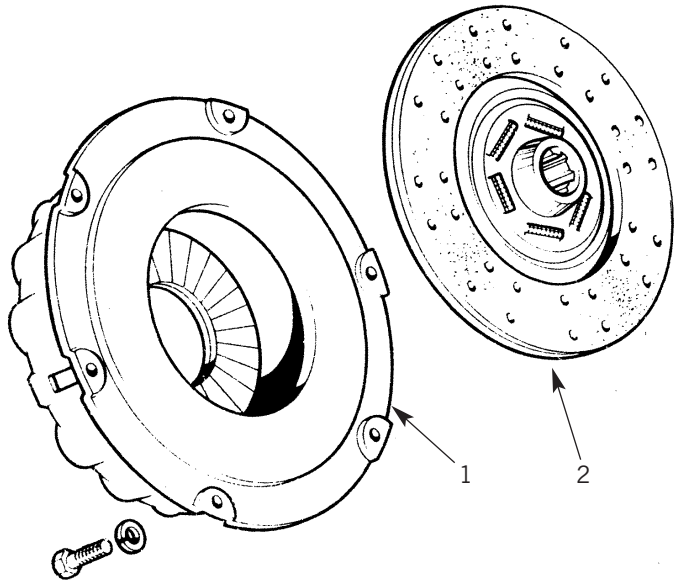
PARTS SUITABLE FOR  
**LAND ROVER SERIES 2a & 3**





B  
E  
A  
R  
M  
A  
C  
H

# Clutch Plate and Assembly



DRAWING REF	BEARMACH REF	PART NUMBER	DESCRIPTION	
1	BR 3029	576557	Clutch Cover Assembly 9.5" QH	
	BR 3029G	576557G	Clutch Cover Assembly 9.5 B&B	
	BR 0631	571228	Clutch Cover Assembly QH	
	BR 3026	576476	Clutch Cover V8 4 Speed QH	
	BR 3026G	576476G	Clutch Cover V8 4 Speed B&B	
	BR 0999	591705	Clutch Cover Assembly 9"	
	BR 0631G	571228G	Clutch Cover Assembly 9.5 B&B	
	2	BR 1530	591704	Clutch Plate 9" BM
		BR 1530G	591704G	Clutch Plate QH
BR 0959		FRC2297	Clutch Plate 9.5" QH	
BR 0959G		FRC2297G	Clutch Plate 9.5" B&B	
BR 0959A		FRC2297R	Clutch Plate BM	

DRAWING REF	BEARMACH REF	PART NUMBER	DESCRIPTION
	BR 3120	FRC9773	Clutch Plate 4 Speed QH
	BR 3120G	FRC9773G	Clutch Plate 4 Speed B&B
3	BR 2295	FTC4177	Clutch Release Bearing OEM
	BR 2295R	FRC9568R	Clutch Release Bearing Replacement
4	BR 3107	576203	Staple Clutch Release Fork
5	BR 2019	576137	Clutch Release Fork
6	571163	571163	Clutch Release Clip
7	BR 3549	571161	Insert Clutch Release Lever
8	BR 0011	213700	Dowel Pin
9	BR 3008	571059	Oil Seal
	BR 3008G	571059G	Oil Seal OEM
10	BR 3016	576724	Joint Washer

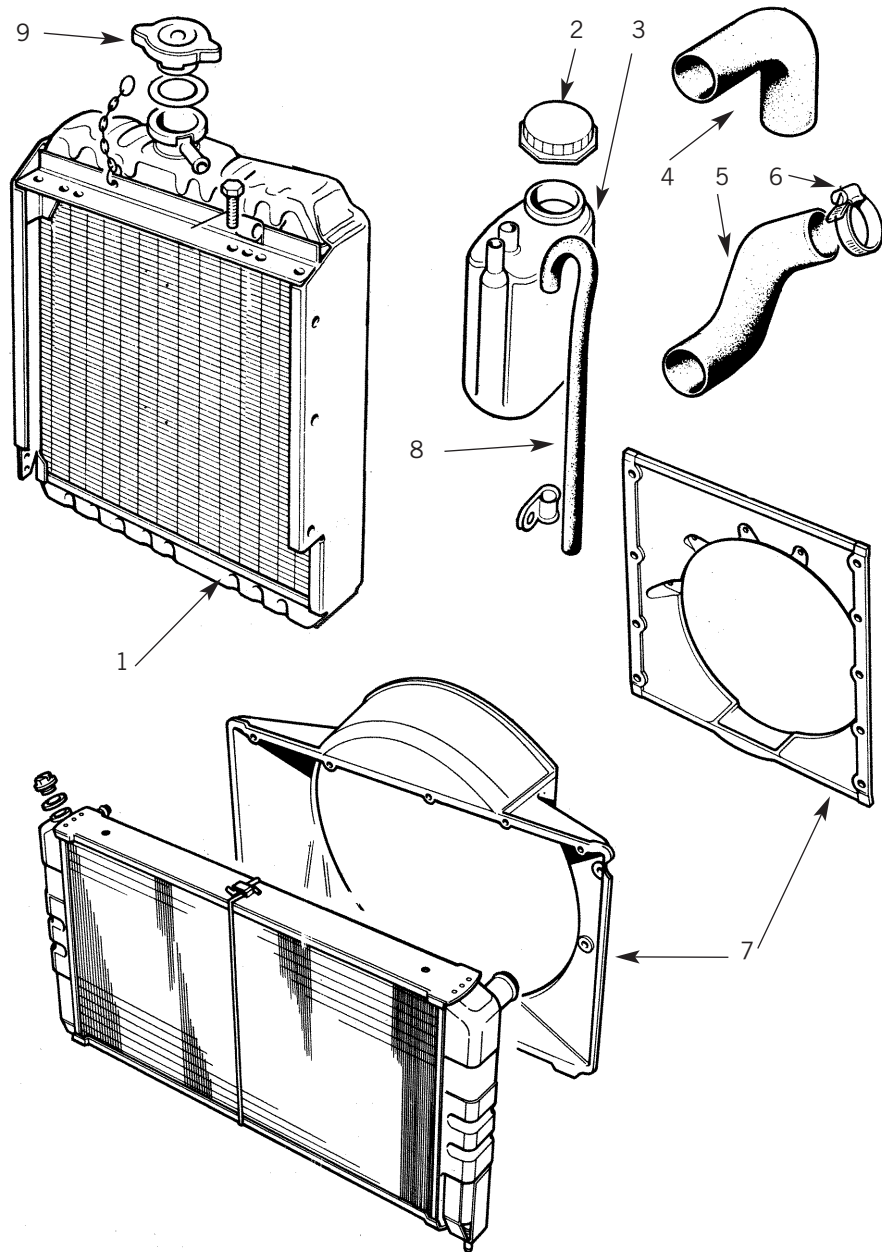
Website - www.bearmach.com

PARTS SUITABLE FOR  
**LAND ROVER SERIES 2a & 3**



B  
E  
A  
R  
M  
A  
C  
H

# Cooling System



DRAWING REF	QUANTITY	BEARMACH REF	PART NUMBER	DESCRIPTION
1		BR 2213	577609	Radiator Assembly 2.25 Petrol & Diesel
		BR 2213G	577609G	Radiator Assembly 4 Row OEM
		BR 1174	577383	Radiator Assembly 2.6 Ser2a
2		564719	564719	Cap - Overflow Bottle
3		BR 1188	564718	Overflow Bottle
4		BJH 1126	577346	Radiator Hose Top 2.25 Ser3
		BJH 0870	624363	Radiator Hose Ser3 & 6 Cylinder
		BJH 1000	575718	Radiator Hose Top Ser3 V8
5		BJH 1127	577344	Radiator Hose Bottom Ser3 2.25
		BJH 0871	624364	Radiator Hose Bottom Ser3 2.6
		NRC3206	NRC3206	Radiator Hose Bottom Ser3 V8
6		CN100508	CN100508	Radiator Hose Clips All Models
7		BR 3356	NRC9493	Radiator Fan Cowling 2.25 Diesel
		NRC9494	NRC9494	Radiator Fan Cowling 2.25 Petrol
8		564724	564724	Hose Over Flow
9		BR 1743	RTC3607	Radiator Cap 9lbs Pressure

Tel: +44 (0)29 20 856 550

Manufacturers' part numbers are used for reference purposes only

QUICK REFERENCE

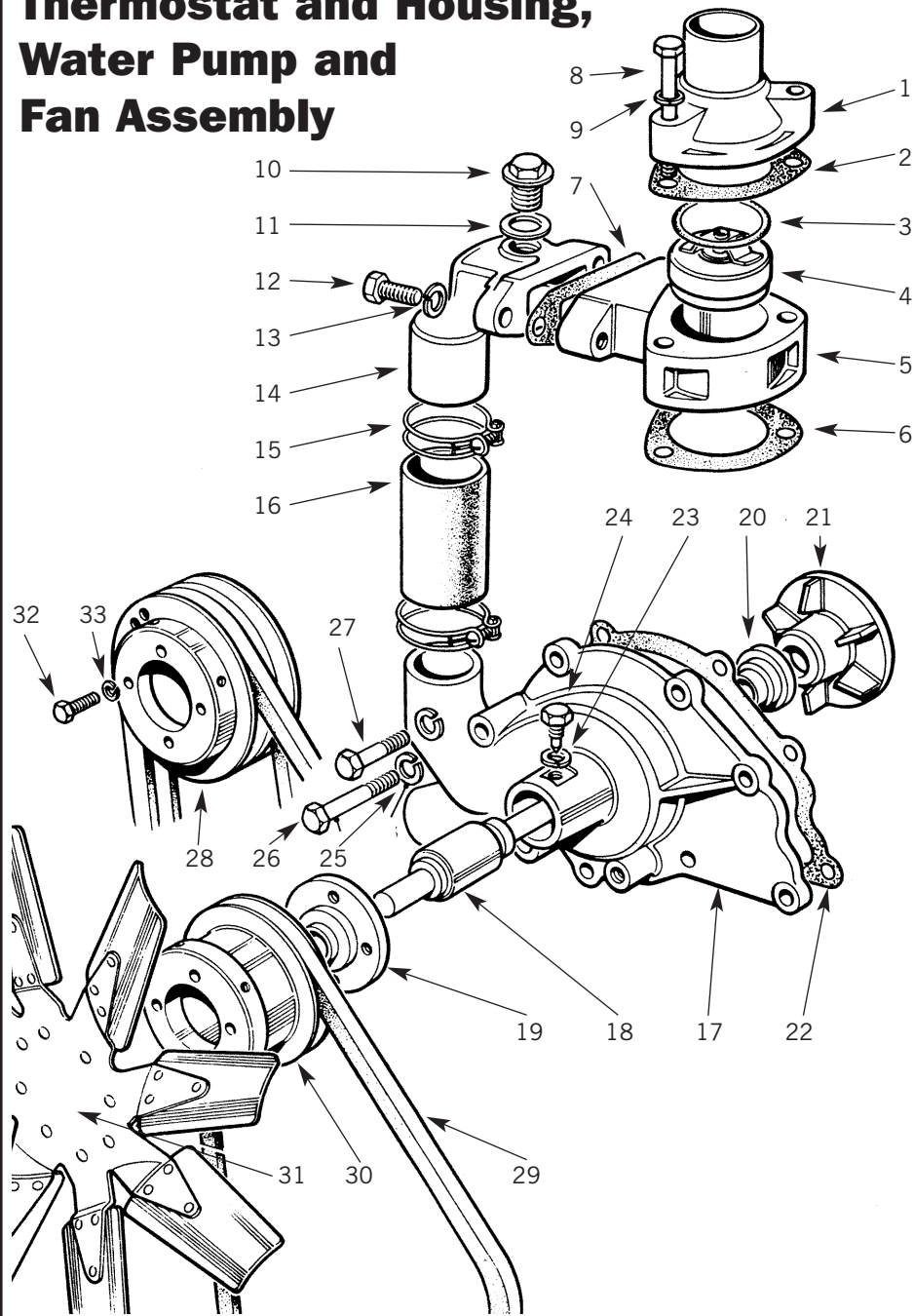
PAGE  
**28**

PARTS SUITABLE FOR  
**LAND ROVER SERIES 2a & 3**



B  
E  
A  
R  
M  
A  
C  
H

# Thermostat and Housing, Water Pump and Fan Assembly



DRAWING REF	QUANTITY	BEARMACH REF	PART NUMBER	DESCRIPTION
1		527109	527109	Thermostat Housing Cover
2		BR 1248	527110	Joint Washer
3		BR 1249	527235	Ring Seal
4		BR 0109	532453	Thermostat 74°
		BR 1600	596225	Thermostat 82°
5		BR 0241	516059	Thermostat Housing
6		BR 1153	247874	Joint Washer Outlet
7		BR 1577	90511958	Joint Washer
8	3	BR 0829	BH106141L	Bolt - M6 x 70
	2	BR 0692	BH604201L	Bolt - 1/4" UNF x 2 1/2"
9	3	BR 0622	WM600041L	Spring Washer
10		BR 0191	536577	End Plug
11		BR 0942	243959	Washer
13	2	BR 2068	WM600051L	Spring Washer
14	2	BR 0321	SH605081L	Bolt - 5/16" x 1" UNF
15	2	BR 0482	CN100408	Clip Hose
16		BR 1364	574871	Hose By Pass
17		BWA 43	RTC6334	Water Pump with Viscous Diesel 9 Hole
		BWA 41	STC3758	Water Pump Assembly 2.25
		BWA 41G	STC3758G	Water Pump Assy 2.25 OEM
18		BR 3284	ERC3978	Water Pump Spindle Bearing
19		BR 2278	598064	Fan Hub
20		BWK 22	568301	Water Pump Seal Stainless
		BWK 22R	568301R	Water Pump Seal Stainless OEM
21		BR 0455	247916	Water Pump Impeller
22		BR 1589	538671	Joint Washer
23		BR 0622	WH600041L	Spring Washer
24		BR 1597	515291	Set Screw
25	5	BR 0622	WM600041L	Spring Washer
26		BR 0153	256233	Bolt - 5/16" UNF x 3.3/4"
27	5	BR 0841	SH106121L	Bolt - 1/4" x 1"
28		530304	530304	Fan Pulley - Double Groove
29		R 001	550224	Fan Belt 2.25 Diesel
		R 710	587468	Fan Belt 2.25 Petrol
		R 777	613602	Fanbelt V8
		BR 2283	RTC3310	Fan Belt 6 Cylinder
30		BR 1971	530890	Fan Pulley
31		BR 1765	90515090	Fan Blade Assembly
32	4	BR 0445	255207	Bolt - 1/4" UNF x 3/4
33	4	BR 0622	WM600041L	Spring Washer
34		BWR 23	RTC3072	Water Pump Kit
		BWR 23G	RTC3072G	Water Pump Kit OEM

Website - www.bearmach.com

PARTS SUITABLE FOR  
**LAND ROVER SERIES 2a & 3**

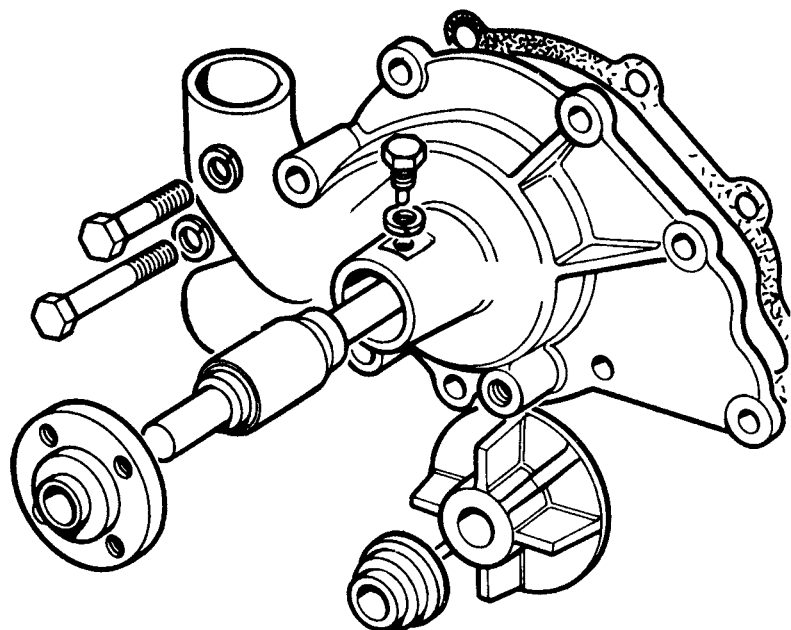
PAGE  
**29**

**QUICK REFERENCE**



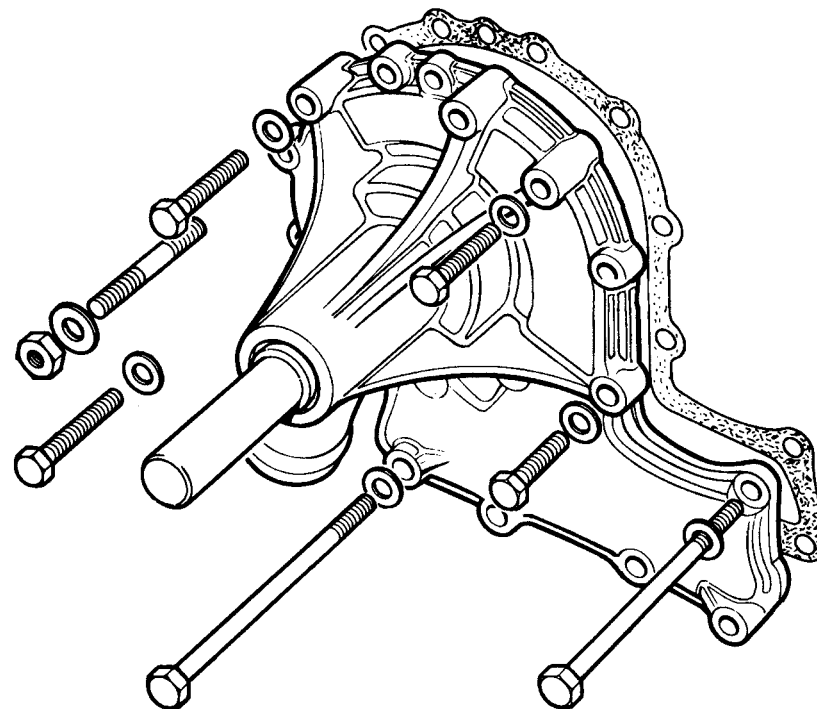
B  
E  
A  
R  
M  
A  
C  
H

## Water Pump 2.25 Petrol



DRAWING REF	QUANTITY	BEARMACH REF	PART NUMBER	DESCRIPTION
1		BWR 23	RTC3072	Water Pump Repair Kit
		BWR 23G	RTC3072G	Water Pump Repair Kit
2		BWA 42	90514526	Water Pump Assembly Ser2
3		BWA 46	RTC6328	Water Pump Military 7 hole
4		BWK 21	239855	Water Pump Seal Kit
5		BWK 22	568301	Water Pum Seal
6		BWA 95	564197	Water Pump 6 Cylinder
7		BWR 95	605716	Water Pump Repair Kit 6 Cyl

## Water Pump V8 Petrol



DRAWING REF	QUANTITY	BEARMACH REF	PART NUMBER	DESCRIPTION
1		BR 3194	STC1611	Water Pump Non Viscous Assembly
		BWA 52	STC1610	Water Pump With Viscous Assembly BM
		BWA 52G	STC1610G	Water Pump With Viscous Assembly QH
2		BR 3165	ERR2428	Joint Washer
3		BWA 51	STC481	Water Pump Assembly Suff C,D & E
		BWA 51G	STC481G	Water Pump Assembly Suff C,D & E

Tel: +44 (0)29 20 856 550

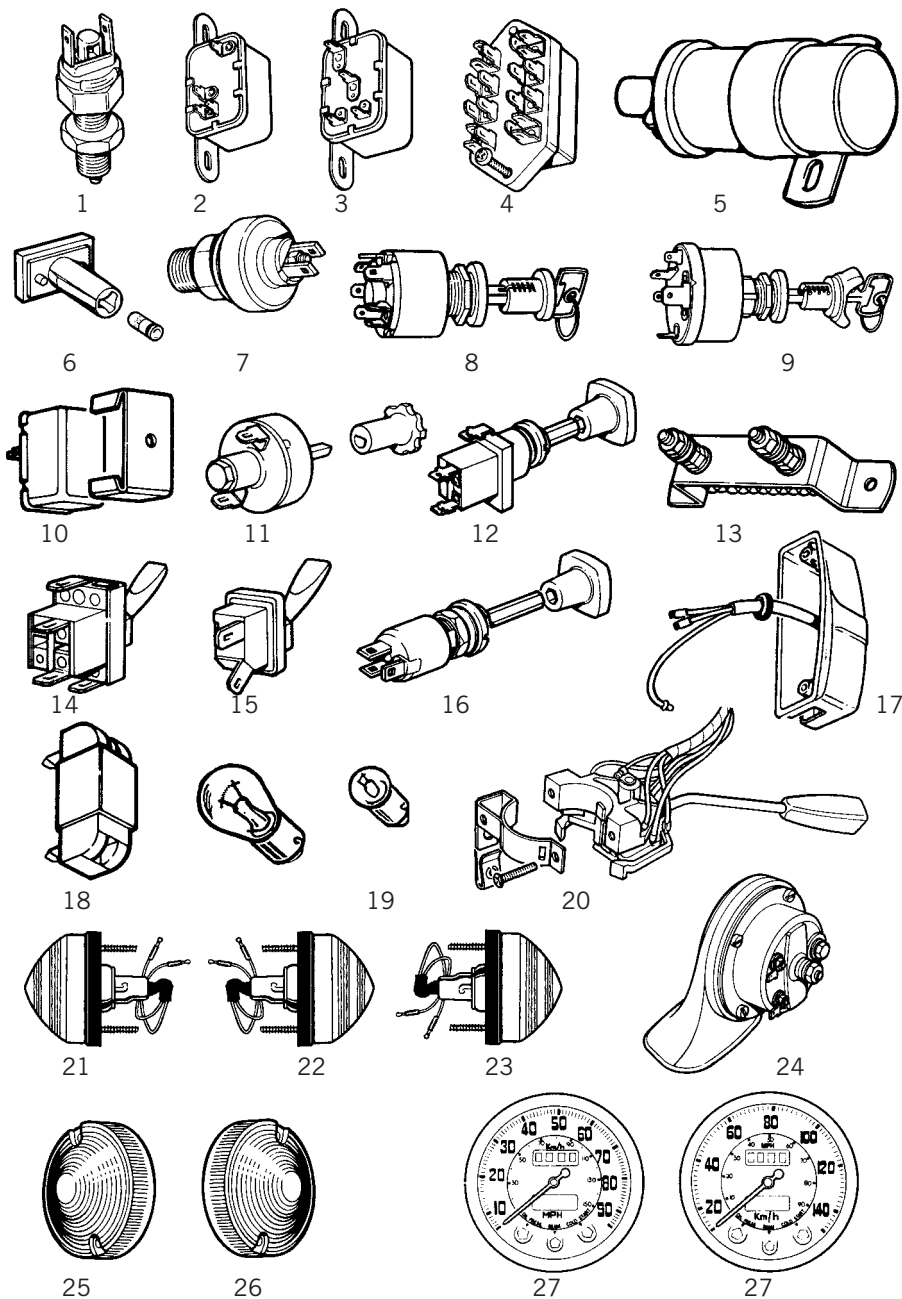
Manufacturers' part numbers are used for reference purposes only





B  
E  
A  
R  
M  
A  
C  
H

# Electrical



DRAWING REF	BEARMACH REF	PART NUMBER	DESCRIPTION
1	BR 1448	575166	Brake Stop Switch
	BR 1448G	575166G	Brake Stop Switch OEM
2	BE 3578	148876	Regulator Box
3	589665	589665	Starter Relay
4	BE 3592	579395	Fuse Box
5	BR 3172	573038	Ignition Coil V8
	BR 3172G	573038G	Ignition Coil V8 OEM
	BE 0615	PRC9858	Ignition Coil 4 Cylinder
	BE 0615G	PRC9858G	Ignition Coil 4 Cylinder OEM
6	PRC1814	PRC1814	Dash Warning Lens
7	589219	589219	Vacuum Loss Switch
8	BR 2057	551508	Ignition Switch Petrol
	BR 2057G	551508G	Ignition Switch Petrol OEM
9	BR 3069	PRC2670	Ignition Switch Diesel
10	BR 3182	RTC3562	Flasher Unit
11	BE 3589	579006	Switch Wiper & Washer
12	623036	623036	Panel and Interior Switch
13	BR 1556	PRC1716	Resistor Diesel
14	BR 2058G	1H9077G	Lamp Switch
	BR 2058	1H90776	Heater Switch
	BR 2026	555778	Switch - Wiper Motor
15	BR 3044	RTC430	Panel Switch
16	623037	623037	Panel Switch Obsolete
17	BR 0979	PRC7255	Lamp Number Plate
18	134176	134176	Resistor
19	BR 1303	264591	Bulb Flasher 21w 382
	BR 1302	264590	Bulb Stop & Tail 5/12w 380
	BR 3103	575312	Bulb Side No. Plate 6w 233
20	BR 3046G	575383G	Indicator Switch OEM
	BR 3046R	575383R	Indicator Switch
21	BR 2257	589446	Stop & Tail Lamp
	BR 1317	RTC5523	Stop & Tail Lamp (No Bulb) OEM
	BR 1317R	RTC5523R	Stop & Tail Lamp (No Bulb)
22	BR 1533	RTC5012	Side Lamp Front (No Bulb) OEM
	BR 1533R	RTC5012R	Side Lamp Front (No Bulb)
23	BR 1711	536094	Flasher Lamp Assembly LUCAS
	BR 3384	RTC5013	Front Flasher Lamp (No Bulb) OEM
	BR 3384R	RTC5013R	Front Flasher Lamp (No Bulb)
24	BR 3038	PRC2057	Horn
25	BR 0659	STC319	Direction Indicator Lens Front & Rear
26	BR 1230	589284	Front Side Lamp Lens
	BR 1532	RTC210	Stop & Tail Lamp Lens Rear
27	BR 2332	PRC 2605	Speedometer Clock Kph
	BR 2329	PRC2607	Speedometer Clock Kph with Trip 109"
	BR 2317	RTC5034	Speedometer Mph 88"
	BR 2328	RTC5035	Speedometer Mph 109"

Website - www.bearmach.com

PARTS SUITABLE FOR  
**LAND ROVER SERIES 2a & 3**

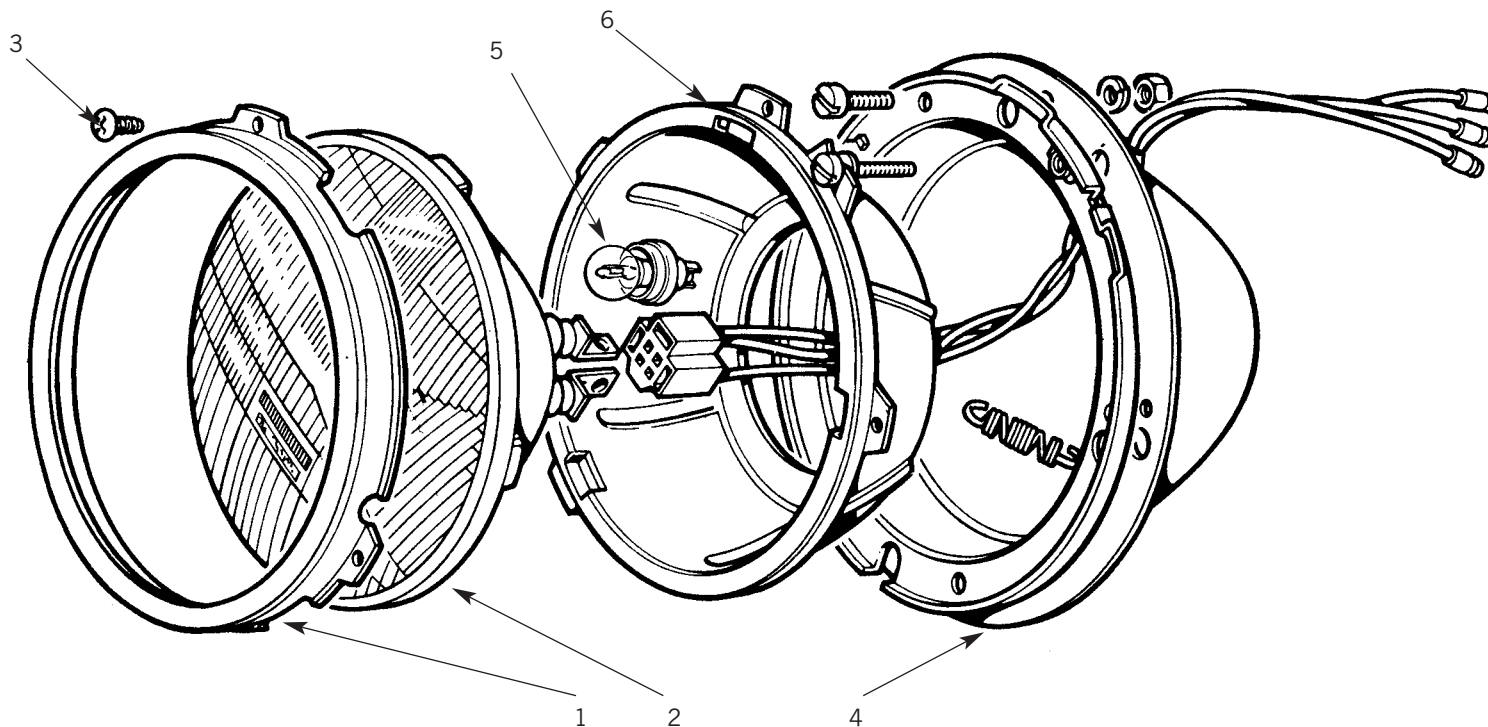
PAGE  
**31**

**QUICK REFERENCE**



**B  
E  
A  
R  
M  
A  
C  
H**

# Headlight Assembly



DRAWING REF	BEARMACH REF	PART NUMBER	DESCRIPTION
1	BE 2038	515218	Rim - Headlamp
2	BE 3575	RTC3681	Sealed Beam Light Unit RHD
	BR 1997	RTC3683	Sealed Beam Light Unit LHD (except Europe)
	BR 1998	RTC3684	Sealed Beam Light Unit LHD (Europe only)
	RTC3682	RTC3682	Sealed Beam Light Unit 109" V8 (UK)
3	BR 0425	AB6060216	Screw Headlamp Rim
4	531586	531586	Sealing Gasket
5	BR 1584	505197	Headlamp Bulb 40/45w 12v
	BR 1523	505196	Headlamp Bulb 40/45w 12v

DRAWING REF	BEARMACH REF	PART NUMBER	DESCRIPTION
6	BA 051	BA 051	Headlamp Bowl Kit - Plastic
	BA 070	BA 070	H4 Headlamp Wiring Kit
	BR 1995	BHM7196L	Headlamp Assembly RHD
	AEU1061	AEU1061	Headlamp Assembly LHD (France)
	BR 1993	AEU1355	Headlamp Assembly 109" V8 (UK)
	BR 1907	27H8207L	Headlamp Assembly LHD

Tel: +44 (0)29 20 856 550

Manufacturers' part numbers are used for reference purposes only

QUICK REFERENCE

PAGE  
**32**

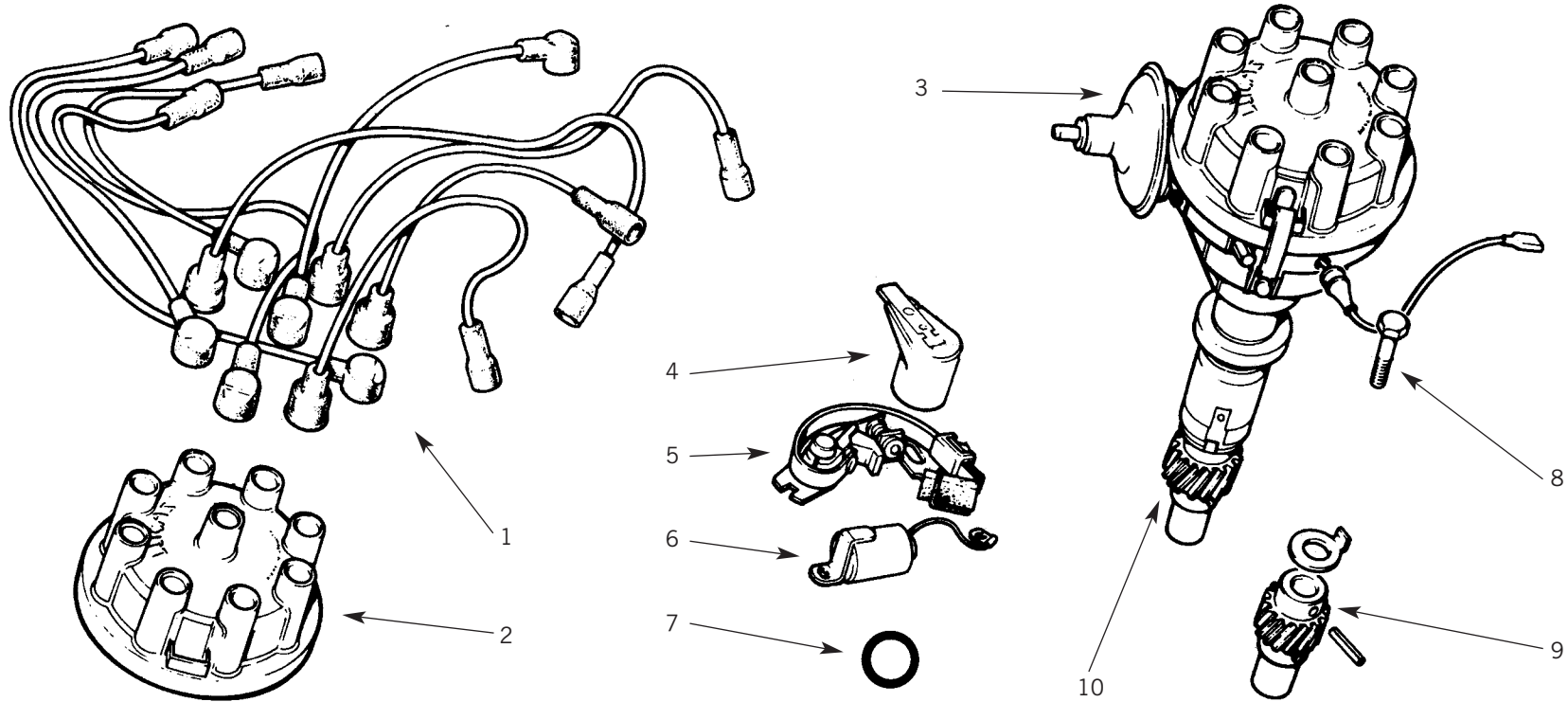
PARTS SUITABLE FOR  
**LAND ROVER SERIES 2a & 3**





BEARMACH

# Distributor - Lucas V8



DRAWING REF	QUANTITY	BEARMACH REF	PART NUMBER	DESCRIPTION
1		BR 3524	ETC6484	High Tension Leads Kit
		BR 3524G	RTC65514	High Tension Leads Kit OEM
2		BR 3375	605190	Distributor Cap
3		BR 0102	608266	Vacuum Advance Unit
4		BR 3188	RTC3613	Rotor Arm
5		BR 3173	608158	Contact Points Distributor
		BR 3173G	608158G	Contact Points Distributor OEM

DRAWING REF	QUANTITY	BEARMACH REF	PART NUMBER	DESCRIPTION
6		BE 0342	269988	Condenser OEM
		BE 0342R	RTC3472R	Condenser
7		571665	571665	Sealing 'O' Ring
8		BR 0841	SH106121L	Bolt
9		ERC1353	ERC1353	Gear Distributor
10		BR 1116	ETC4717	Distributor Assembly LUCAS

Website - www.bearmach.com

PARTS SUITABLE FOR  
**LAND ROVER SERIES 2a & 3**

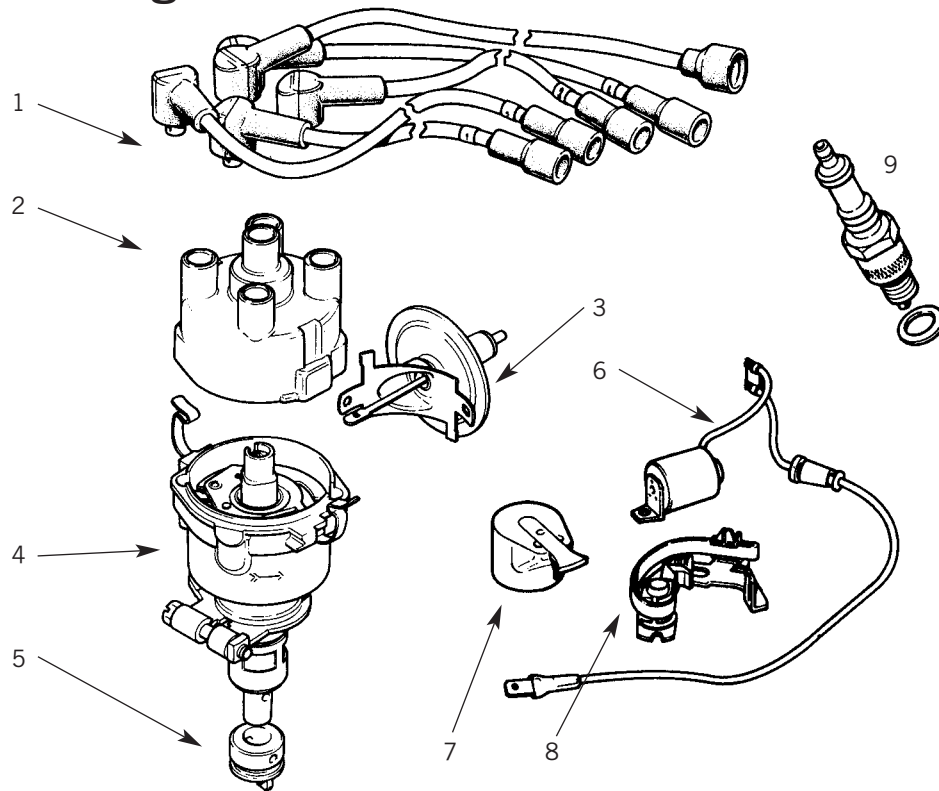
PAGE  
**33**

**QUICK REFERENCE**

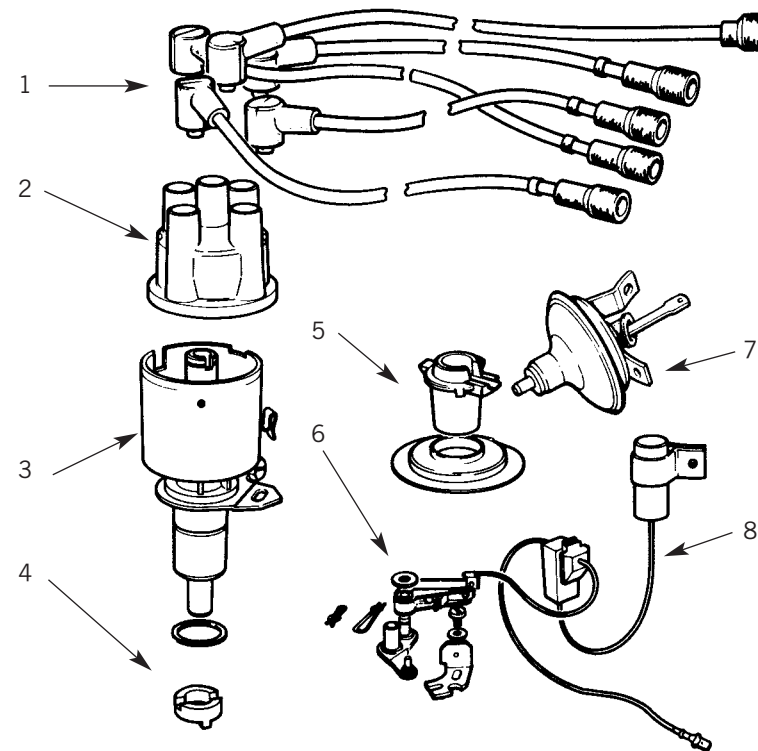


BEAR MACH

## Distributor Assembly - Lucas For 2.25 Engines



## Distributor Assembly - Ducellier For 2.25 Engines



DRAWING REF	QUANTITY	BEARMACH REF	PART NUMBER	DESCRIPTION
1		BR 3054	ERC3256	Ignition Lead Set 4 Cylinder
2		BE 0826	RTC3278	Distributor Cap Suffix D on
3		AEU1034	AEU1034	Vacuum Advance Unit
4		BR 1770	ERC8520	Distributor Assembly LUCAS
		BR 1787	ETC5835	Distributor Assembly
5		BE 1834	513679	Drive Dog Coupling
6		BE 0324	RTC3471	Condenser - Short Lead
		BE 3599	RTC6621	Condenser - Long Lead
7		BE 0051	RTC3614	Rotor Arm 4 Cyl
8		BE 0773	RTC3288	Contact Set 4 Cyl LUCAS
		BE 0773R	RTC3288R	Contact Set 4 Cyl
9		BR 1221	RTC3569	Spark Plug 7:1

DRAWING REF	QUANTITY	BEARMACH REF	PART NUMBER	DESCRIPTION
		BR 2310	RTC3570	Spark Plug 8:1
1		BR 3054	ERC3256	Ignition Lead Set 4 Cylinder
2		BE 3588	RTC4932	Distributor Cap
3		BR 1770A	ERC6986	Distributor Assembly DUCELLIER
4		549611	549611	Drive Dog Coupling
5		BE 3586	RTC4933	Rotor Arm
6		BE 3584	RTC6625	Contact Set Ducellier Type
7		AEU1034	AEU1034	Vacuum Advance Unit
8		BE 0324	RTC3471	Condenser - Short Lead
		BE 3599	RTC6621	Condenser - Long Lead
9		BR 1221	RTC3569	Spark Plug 7:1
		BR 2310	RTC3570	Spark Plug 8:1

Tel: +44 (0)29 20 856 550

Manufacturers' part numbers are used for reference purposes only

QUICK REFERENCE

PAGE  
34

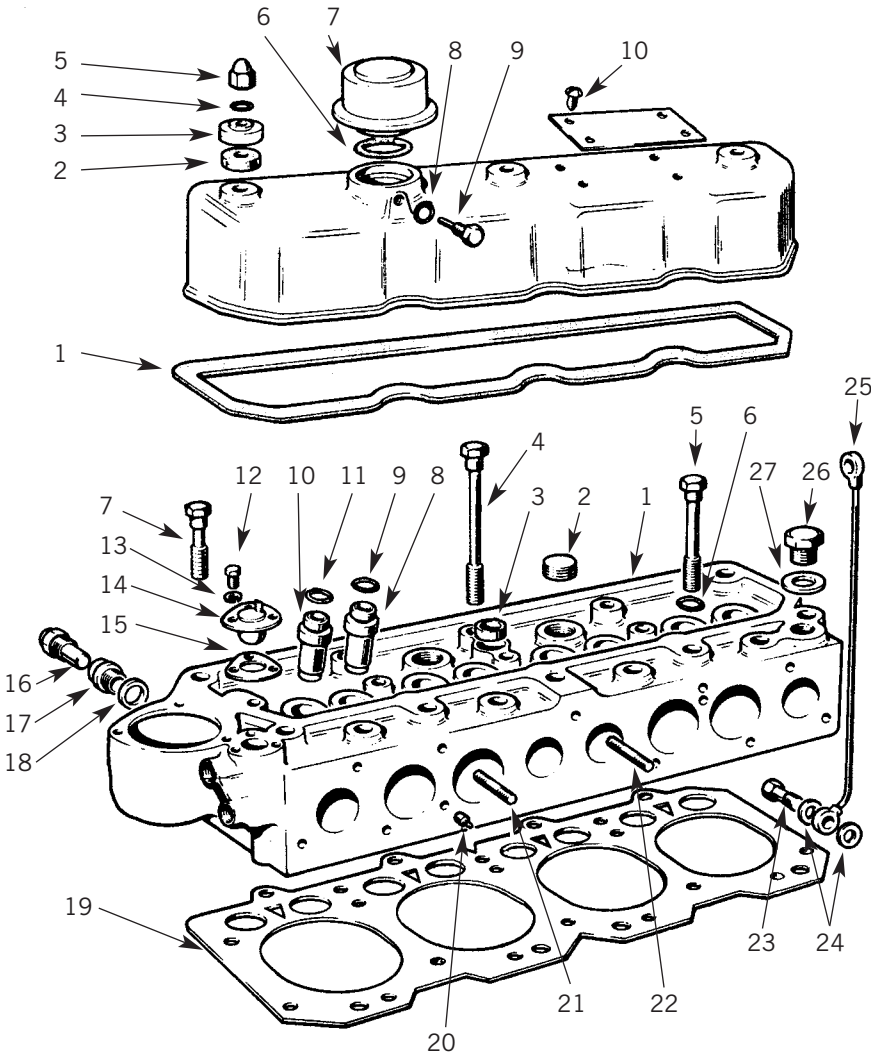
PARTS SUITABLE FOR  
**LAND ROVER SERIES 2a & 3**



BEARRMACH

# Rocker Cover and Cylinder Head

## Petrol



DRAWING REF	QUANTITY	BEARMACH REF	PART NUMBER	DESCRIPTION
1	1	BR 0804	ETC6439	Rocker Cover Gasket
	1	BR 0804G	ETC6439G	Rocker Cover Gasket (with Adhesive)
2	3	BR 1535	506069	Seal Cover Lower
3	3	247624	247624	Seal Cover Upper
4	3	BR 0266	273069	Washer
5	3	BR 1130	247121	Dome Nut
6	1	BR 1329	268887	'O' Ring
7	1	BR 1145	247631	Breather Filter
8	1	BR 0960	232037	Sealing Washer
9	1	BR 1597	515291	Setting Screw
10	4	BR 0425	AB606022L	Screw

### CYLINDER HEAD

1		BR 2002H	ERC5266	Cylinder Head C/R 7.1
2		BR 0202	518272	Core Plug
3		BR 1744	525497	Core Plug 15/16 Diam
4	5	BR 0126	279648	Special Bolt Set
5	9	BR 0121	247051	Cyl Head Bolt - 1/2" UNF x 4.9/16"
6	9	BR 0276	ERC6821	Washer
7	4	BR 0126	279648	Set Bolt
8	4	BR 3024	568686	Valve Guide Inlet
	4	BR 3024G	568686G	Valve Guide Inlet OEM
9	4	BR 0720	ETC4709	Valve Stem Seal
	4	BR 0720G	ETC4709G	Valve Stem Seal OEM
10	4	BR 3025	568687	Valve Guide Exhaust
	4	BR 3025G	568687G	Valve Guide Exhaust OEM
11	4	BR 0721	ETC4751	Valve Stem Seal
	4	BR 0721G	ETC4751G	Valve Stem Seal OEM
12	3	BR 1005	277119	Bolt Thermostat Housing
13	3	BR 0622	WM600041L	Washer Spring
14		BR 1738	545010	Thermostat Switch
15		BR 0993	236022	Thermostat Switch Gasket
16		BR 2117	560794	Water Transmitter
17		BR 0191	536577	End Plug
18		BR 0942	243959	Joint Washer
19		BR 0699	ERC6380	Head Gasket
		BR 0699G	ERC6380G	Head Gasket OEM
		BR 1636	558160	Head Gasket Copper
		BR 1636G	558160G	Head Gasket Copper OEM
20	2	BR 0011	213700	Dowel
21	2	BR 0117	247144	Manifold Stud
22	2	BR 0350	TE108051L	Stud M8 x 36
23	2	ETC4498	ETC4498	Bolt Banjo
24	4	BR 0856	232039	Joint Washer
25	1	BR 0640	275679	Oil Pipe
26	1	BR 0191	536577	End Plug
27	1	BR 0942	243959	Plug Copper Washer

Website - www.bearmach.com

PARTS SUITABLE FOR  
**LAND ROVER SERIES 2a & 3**

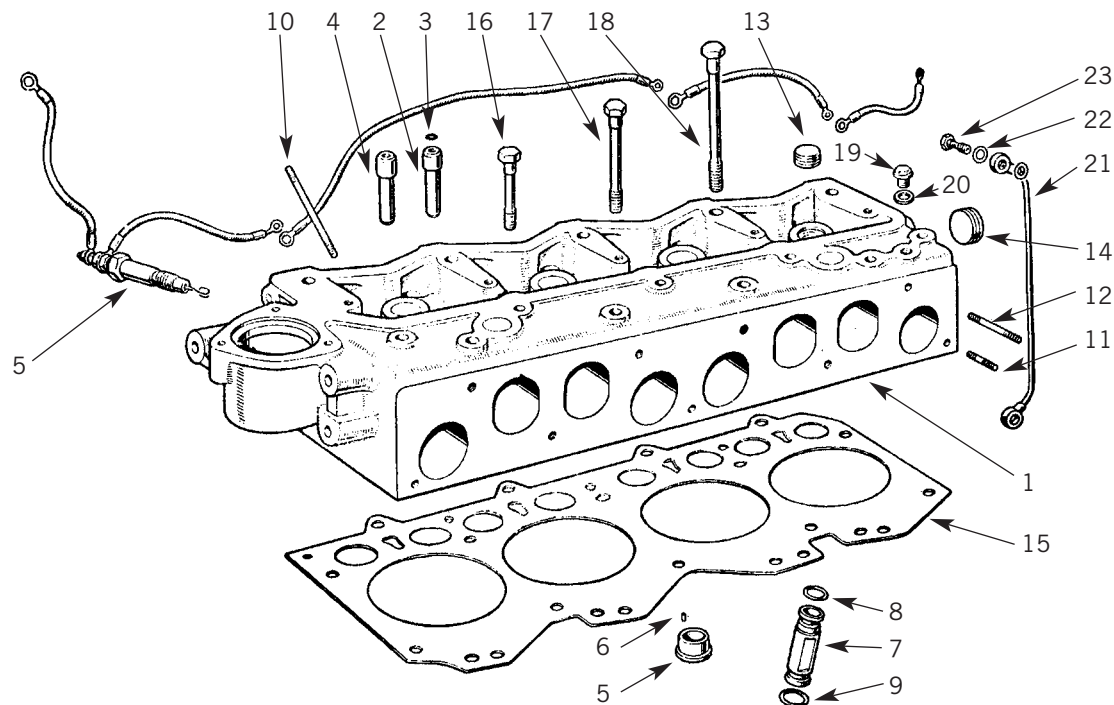
PAGE  
**35**

**QUICK REFERENCE**



BEARMACH

# Cylinder Head Diesel



DRAWING REF	QUANTITY	BEARMACH REF	PART NUMBER	DESCRIPTION
1	1	BR 1000	ERC9357	Cylinder Head Assembly Diesel
2	4	BR 3387	568689	Valve Guide Exhaust
	4	BR 3387G	568689G	Valve Guide Exhaust OEM
3	4	BR 0721	554728	Stem Seal Valve
	4	BR 0721G	554728G	Stem Seal Valve OEM
4	4	BR 3386	568688	Valve Guide Inlet
	4	BR 3386G	568688G	Valve Guide Inlet OEM
5	4	BR 1010	558168	Hot Plug
6	4	PA105101L	PA105101L	Spring Pin
7	4	BR 1587	514224	Tube Push Rod
8	8	BR 1310	515572	Sealing Ring - Small
9	8	BR 1057	515573	Sealing Ring - Large
10	8	BR 0429	596097	Injector Stud
11	5	BR 0117	247144	Manifold Stud - Short

DRAWING REF	QUANTITY	BEARMACH REF	PART NUMBER	DESCRIPTION
12	4	BR 0803	TE108071L	Manifold Stud - Long
13	1	BR 0937	230250	Core Plug
14	2	BR 1679	524765	Cup Plug
15	1	BR 3251	ETC5301	Cylinder Head Gasket Fibre
	1	BR 1638	ETC7780	Cylinder Head Gasket Copper OEM
16	2	247683	247683	Bolt Cylinder Head 1/2" UNF x 3.3/4"
17	9	BR 0121	247051	Bolt Cylinder Head 1/2" UNF x 4.9/16"
18	5	247723	247723	Bolt Cylinder Head 1/2" UNF x 5.3/4"
19	1	BR 0191	536577	End Plug
20	1	BR 0942	243959	End Plug Washer
21	1	BR 0640	275679	Oil Pipe
22	2	BR 0856	232039	Joint Washer
23	2	ETC4498	ETC4498	Bolt Banjo

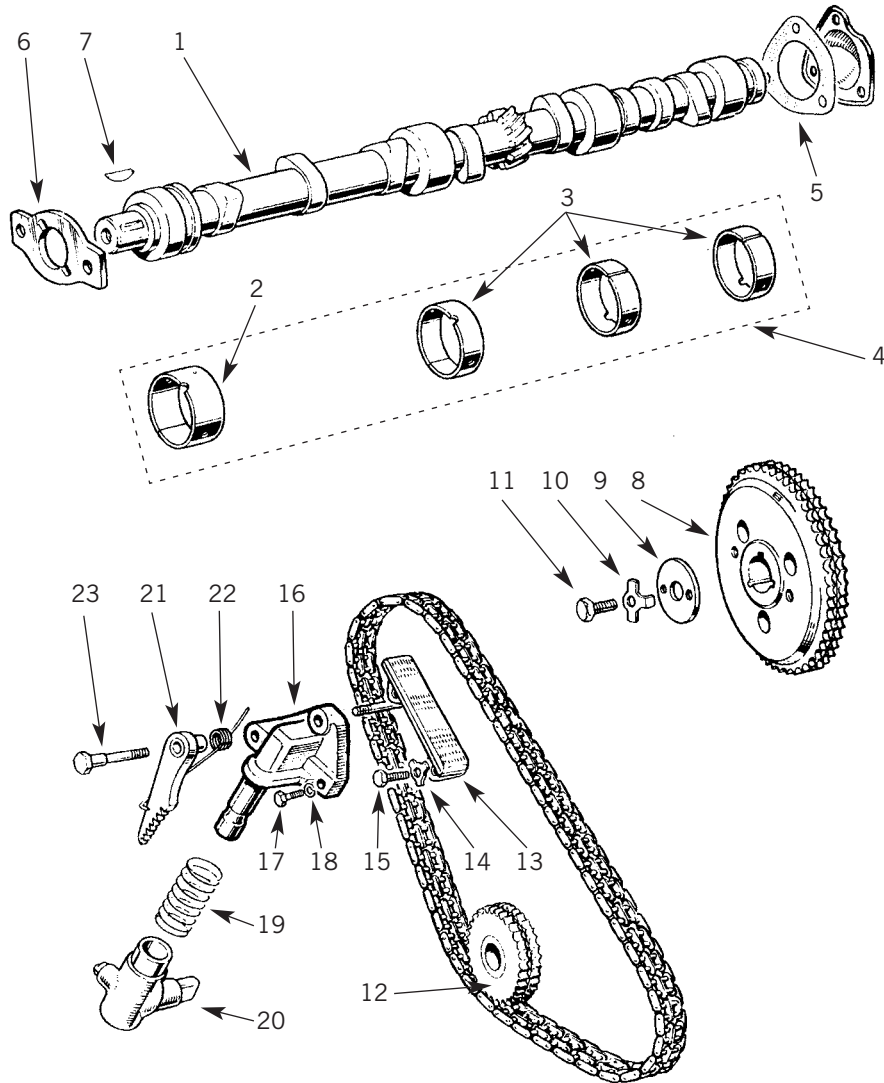
Tel: +44 (0)29 20 856 550

Manufacturers' part numbers are used for reference purposes only



# Camshaft Chain Sprocket and Tensioner Mechanism

## 2.25 Petrol



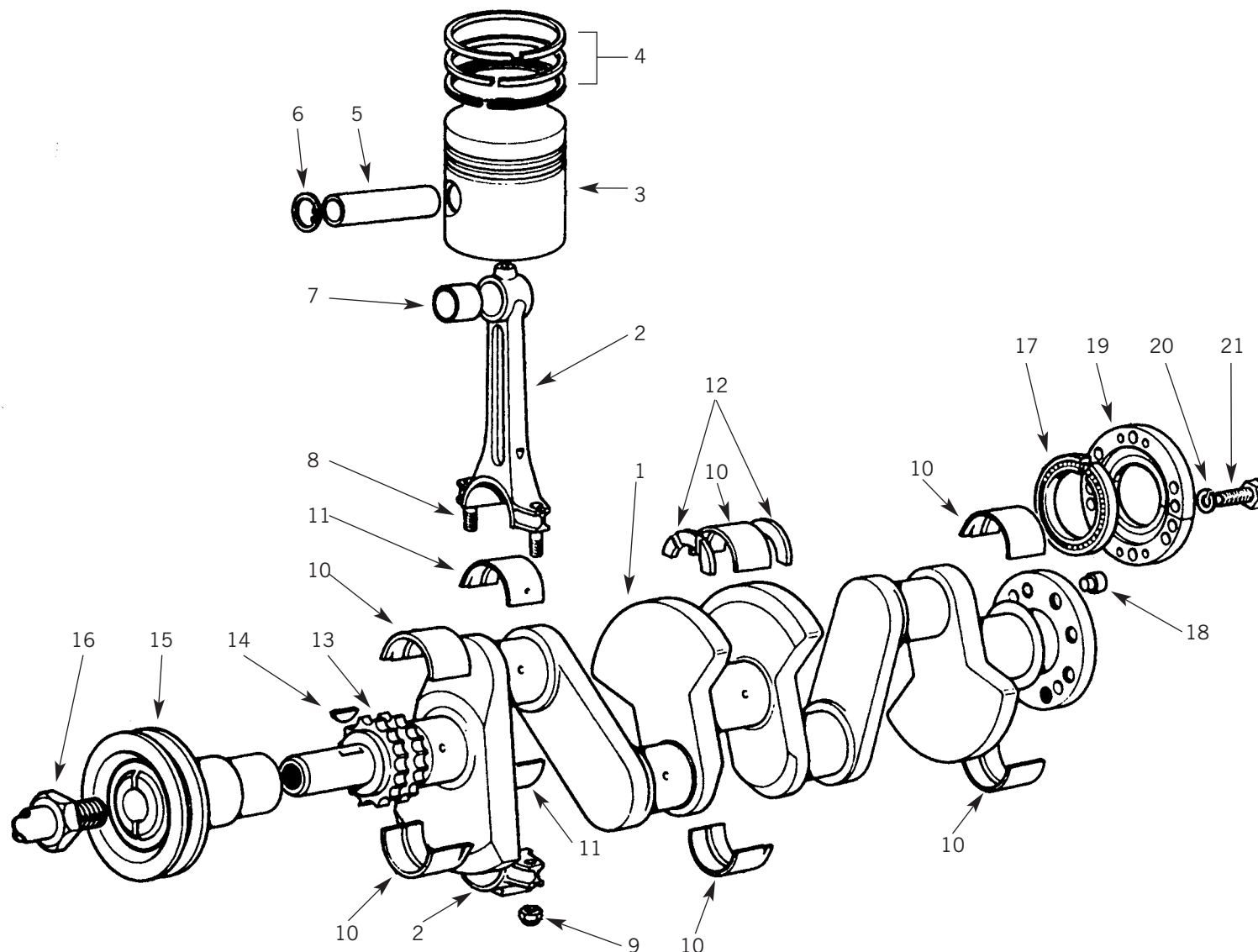
DRAWING REF	QUANTITY	BEARMACH REF	PART NUMBER	DESCRIPTION
1		BR 1105	247709	Camshaft for 2.25 Petrol
2		BR 1386B	276414	Camshaft Bearing Front
3		BR 1386A	90519055	Camshaft Centre & Rear
4		BR 1386	90519054	Camshaft Bearing Engine Set
		BR 1386G	90519054G	Camshaft Bearing Engine Set OEM
5		BR 1126	247070	Joint Washer
6		BR 0941	ERC1561	Thrust Plate Camshaft
7		BR 0940	230313	Key Locating Camshaft
8		BR 0255	568474	Gear Camshaft
9		BR 0389	ETC4140	Retaining Camshaft Gear Washer
10		BR 0085	9210	Locker Plate
11		BR 0325	ETC4141	Bolt
12		BR 0497	236067	Idler Wheel Assembly
13		BR 1886	275234	Vibration Damper
14		BR 2068	WM600051L	Spring Washer
15	2	BR 0841	SH106121L	Bolt Vibration Damper
16		BR 2120	90515323	Piston Timing Chain Adjuster
17		BR 0321B	BH605101L	Bolt - 5/16" UNF x 1.1/4"
18		BR 2068	WM600051L	Spring Washer
19		BR 0972	233326	Spring
20		BR 1367	277358	Cylinder Assembly
21		BR 2142	546026	Ratchet Assembly
22		BR 1319	267451	Spring Ratchet Adjuster
23		BR 0785	247199	Special Bolt



B  
E  
A  
R  
M  
A  
C  
H

# Crankshaft Assembly, Pistons, Bearings and Con Rods

Key to diagram is on next page



QUICK REFERENCE

PAGE  
**38**

PARTS SUITABLE FOR  
**LAND ROVER SERIES 2a & 3**

Tel: +44 (0)29 20 856 550





BEARMACH

Website - www.bearmach.com

# Crankshaft Assembly, Pistons, Bearings and Con Rods

Key to diagram on previous page

DRAWING REF	QUANTITY	BEARMACH REF	PART NUMBER	DESCRIPTION
1	4	BR 1962	527167	Crankshaft Assy Std 3 Main Bearing
2	4	BR 1961	ERR599	Connecting Rod Assembly Petrol
	4	BR 2084	ETC5156	Connecting Rod Assembly Diesel
3	4	BR 3082	RTC4188S	Piston Assembly Std 2.25 Petrol
	4	BR 3082G	RTC4188G	Piston Assembly Std Petrol AE
	4	BR 3083	RTC418810	Piston Assembly .010" 2.25 Petrol
	4	BR 3083G	RTC418810G	Piston Assembly .010" Petrol AE
	4	BR 3084	RTC418820	Piston Assembly .020" 2.25 Petrol
	4	BR 3084G	RTC418820G	Piston Assembly .020" 2.25 Petrol AE
	4	BR 3085	RTC418830	Piston Assembly .030" 2.25 Petrol
	4	BR 3085G	RTC418830G	Piston Assembly .030" 2.25 Petrol AE
	4	BR 3086	RTC418840	Piston Assembly .040" 2.25 Petrol
	4	BR 3086G	RTC418840G	Piston Assembly .040" 2.25 Petrol AE
	4	BR 2306	ETC4749	Piston Assembly Std 2.25 Diesel
	4	BR 2306C	ETC4749G	Piston Assembly Std 2.25 Diesel AE
	4	BR 1585	ETC474910	Piston Assembly .010" 2.25 Diesel
	4	BR 1885G	ETC474910G	Piston Assembly .010" 2.25 Diesel AE
	4	BR 2307	ETC474920	Piston Assembly .020" 2.25 Diesel
	4	BR 2307G	ETC474920G	Piston Assembly .020" 2.25 Diesel AE
	4	BR 1586	ETC474930	Piston Assembly .030" 2.25 Diesel
	4	BR 1586G	ETC474930G	Piston Assembly .030" 2.25 Diesel AE
	4	BR 2308	ETC474940	Piston Assembly .040" 2.25 Diesel
	4	BR 2308G	ETC474940G	Piston Assembly .040" 2.25 Diesel AE
4	4	BR 1215	RTC4190S	Piston Ring Set Std 2.25 Petrol
	4	BR 1215G	RTC4190G	Piston Ring Set Std 2.25 Petrol AE
	4	BR 1866	RTC419010	Piston Ring Set .010" 2.25 Petrol
	4	BR 1866G	RTC419010G	Piston Ring Set .010" 2.25 Petrol AE
	4	BR 1216	RTC419020	Piston Ring Set .020" 2.25 Petrol
	4	BR 1216G	RTC419020G	Piston Ring Set .020" 2.25 Petrol AE
	4	BR 1867	RTC419030	Piston Ring Set .030" 2.25 Petrol
	4	BR 1867G	RTC319030G	Piston Ring Set .030" 2.25 Petrol AE
	4	BR 1217	RTC419040	Piston Ring Set .040" 2.25 Petrol
	4	BR 1217G	RTC419040G	Piston Ring Set .040" 2.25 Petrol AE
	4	BR 1205	RTC4193S	Piston Ring Set .Std 2.25 Diesel
	4	BR 1205G	RTC4193G	Piston Ring Set .Std 2.25 Diesel AE
	4	BR 1864	RTC419310	Piston Ring Set .010" 2.25 Diesel
4	4	BR 1206	RTC419320	Piston Ring Set .020" 2.25 Diesel
	4	BR 1206G	RTC419320G	Piston Ring Set .020" 2.25 Diesel AE
	4	BR 1865	RTC419330	Piston Ring Set .030" 2.25 Diesel
	4	BR 1865	RTC419330	Piston Ring Set .030" 2.25 Diesel AE
	4	BR 1207	RTC419340	Piston Ring Set .040" 2.25 Diesel
	4	BR 1207G	RTC419340G	Piston Ring Set .040" 2.25 Diesel AE
5	4	BR 1814	265169	Gudgeon Pin 2.25 Petrol
6	4	BR 1316	266945	Circlip

DRAWING REF	QUANTITY	BEARMACH REF	PART NUMBER	DESCRIPTION
7	4	BR 0061	528004	Gudgeon Pin Bush Petrol
	4	BR 0061G	528004G	Gudgeon Pin Bush Petrol AE
	4	BR 0073	247583	Gudgeon Pin Bush Diesel
8	8	BR 0183	ERC8751	Conrod Bolt
9	8	BR 1552	ERC1029	Lock Nut Conrod 3/8" UNF
10		BR 1610	RTC1729	Main Bearing Set Std AE
		BR 1610C	RTC1729C	Main Bearing Set Std
		BR 1611	RTC172910	Main Bearing Set .010" 3 Main Bearing AE
		BR 1611C	RTC172910C	Main Bearing Set .010" 3 Main Bearing
		BR 1612	RTC172920	Main Bearing Set .020" 3 Main Bearing AE
		BR 1612C	RTC172920C	Main Bearing Set .020" 3 Main Bearing
		BR 1613	RTC172930	Main Bearing Set .030" 3 Main Bearing AE
		BR 1613C	RTC172930C	Main Bearing Set .030" 3 Main Bearing
		BR 1614	RTC172940	Main Bearing Set .040" 3 Main Bearing AE
		BR 1614C	RTC172940C	Main Bearing Set .040" 3 Main Bearing
11		BR 1670	RTC1730	Conrod Bearing Set Std 2.25
		BR 1670G	RTC1730G	Conrod Bearing Set Std 2.25 AE
		BR 1671	RTC173010	Conrod Bearing Set .010" 2.25
		BR 1671G	RTC173010G	Conrod Bearing Set .010" 2.25 AE
		BR 1672	RTC173020	Conrod Bearing Set .020"
		BR 1672G	RTC173020G	Conrod Bearing Set .020" AE
		BR 1673	RTC173030	Conrod Bearing Set .030"
		BR 1673G	RTC173030G	Conrod Bearing Set .030" AE
		BR 1674	RTC173040	Conrod Bearing Set .040"
		BR 1674G	RTC173040G	Conrod Bearing Set .040" AE
12		BR 0177	RTC2825	Thrust Washer Std
		BR 0177G	RTC2825G	Thrust Washer Std AE
		BR 0178	538131	Thrust Washer 0.0025"
		BR 0178G	538131G	Thrust Washer 0.0025" AE
		BR 0179	538132	Thrust Washer 0.005"
		BR 0179G	538132G	Thrust Washer 0.005" AE
		BR 0180	538133	Thrust Washer 0.0075"
		BR 0181	535134	Thrust Washer 0.010"
13		BR 0626	568333	Sprocket Chain Wheel
14		BR 0054	235770	Key Crankshaft
15		BR 1978	ERC3600	Crankshaft Pulley
16		BR 0057	503665	Bolt Starter Dog Crankshaft
17		BR 1682	542494	Crankshaft Oil Seal Halves
		BR 1755	542492	Crankshaft Oil Seal Kit
18		BR 1639	ERC4650	Dowel Crankshaft
19		BR 1639G	523240G	Crankshaft Oil Seal
20	10	BR 0622	WM600041L	Spring Washer
21	10	BR 0446	SH604071L	Bolt - 1/4 UNF x 7/8"

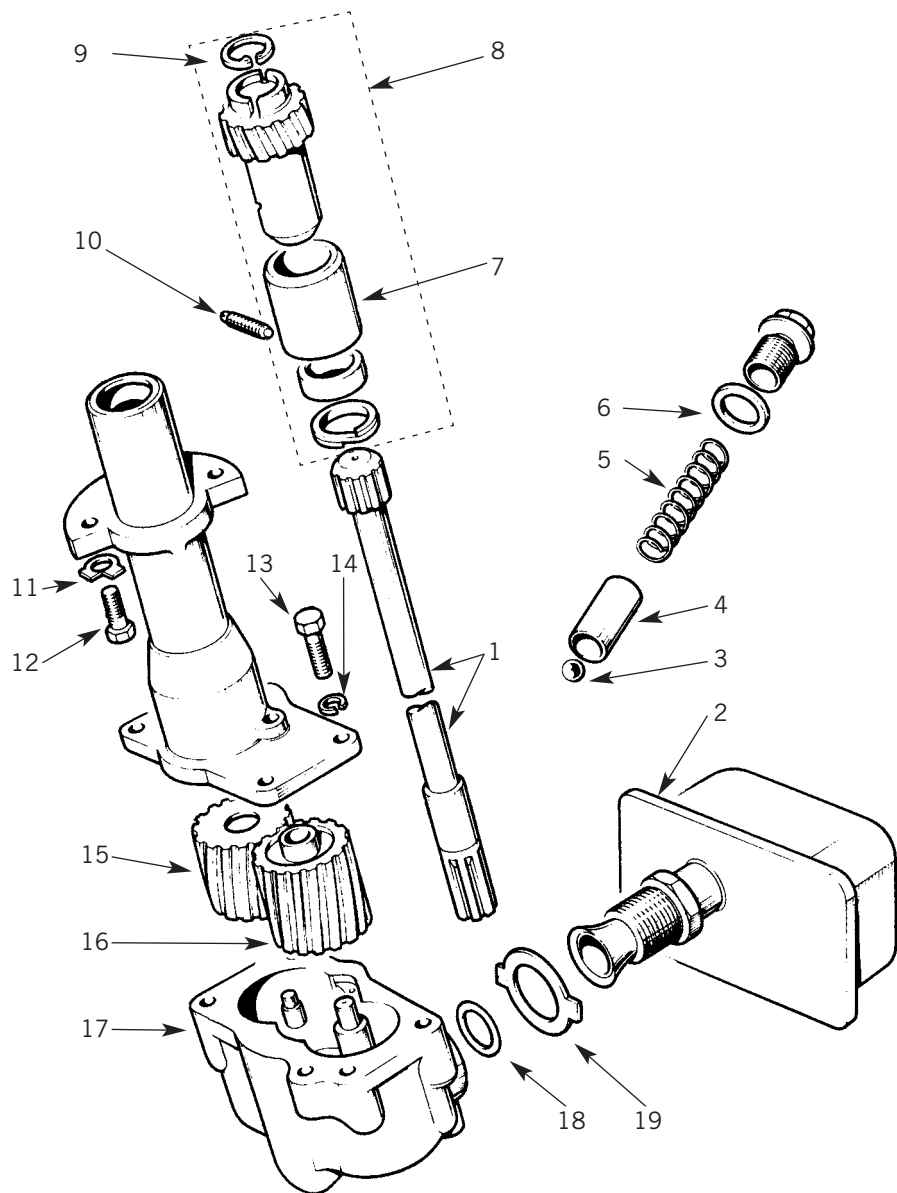
PARTS SUITABLE FOR  
**LAND ROVER SERIES 2a & 3**



B  
E  
A  
R  
M  
A  
C  
H

# Oil Pump

## Petrol



DRAWING REF	QUANTITY	BEARMACH REF	PART NUMBER	DESCRIPTION
		BR 1932	RTC3111	Oil Pump Assembly
		BR 1932G	RTC3111G	Oil Pump Assembly OEM
		BR 1938	513641	Oil Pump Assembly 2.25 Petrol
		BR 1938G	513641G	Oil Pump Assembly 2.25 Petrol OEM
1		BR 1926	511680	Drive Shaft Oil Pump
2		BR 1947	247664	Oil Filter For Pump Oil Basket
3		BR 0229	3748	Steel Ball
4		BR 0230	273711	Plunger
5		BR 0231	564456	Spring
6		232044	232044	Joint Washer
7		BR 0790	522745	Bush
8		BR 1901	541181	Vertical Drive With Bush
9		BR 1148	247742	Circlip
10		BR 0263	524769	Locating Screw
11		BR 0089	247665	Lock Washer
12		BR 0321	SH605081L	Bolt - 5/16" x 1" UNF
13		BR 3578	SH108201L	Bolt For Top Cover
14		WL108001L	WL108001L	Washer
15		BR 0225	240555	Oil Pump Gear
16		BR 0226	278109	Oil Pump Gear
17		BR 1938	513641	Oil Pump Body
18		244488	244488	'O' Ring
19		244487	244487	Lock Washer

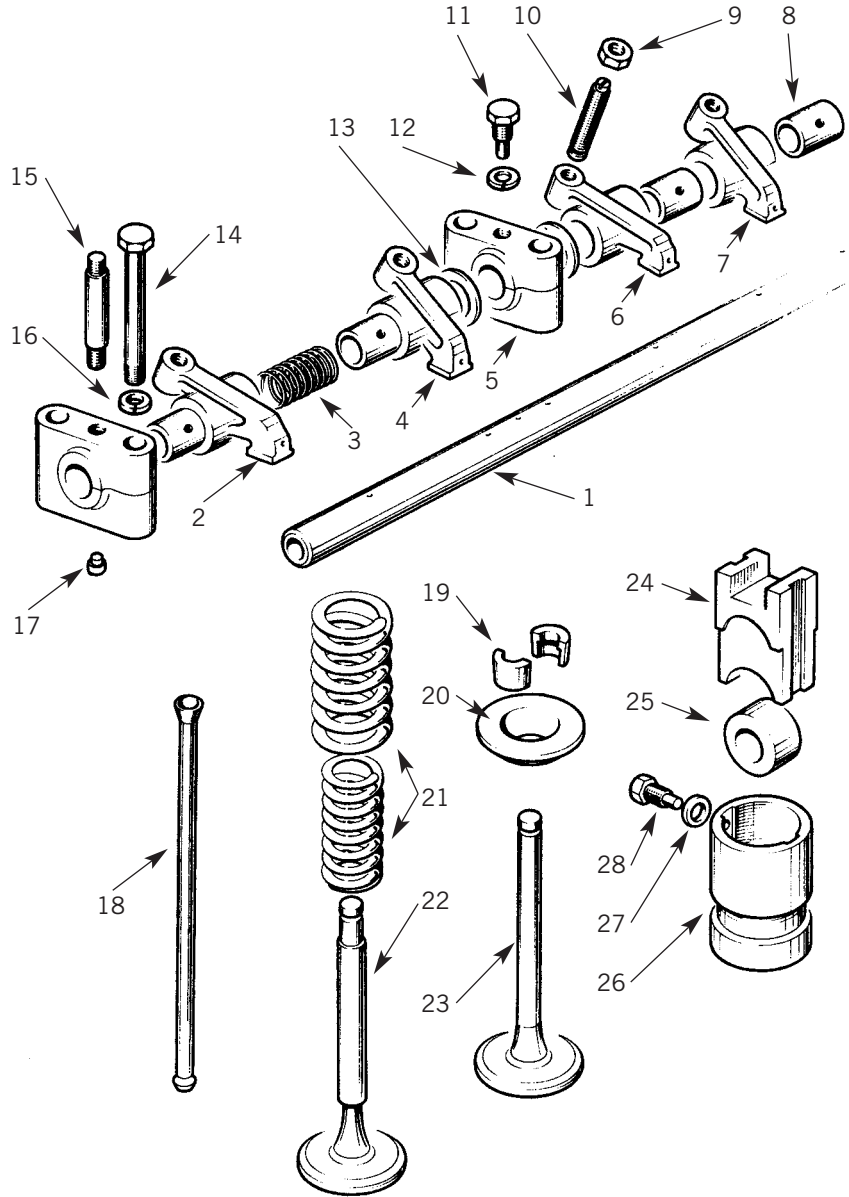
Tel: +44 (0)29 20 856 550

Manufacturers' part numbers are used for reference purposes only



B  
E  
A  
R  
M  
A  
C  
H

# Rocker Shaft and Valves



DRAWING REF	QUANTITY	BEARMACH REF	PART NUMBER	DESCRIPTION
1	1	BR 0915	ERC6341	Rocker Shaft
2	2	BR 1930	512207	Exhaust Valve Rocker Petrol LH
	2	BR 2311	274772	Exhaust Valve Rocker Diesel LH
3	4	BR 0187	247040	Spring
4	2	BR 1929	512206	Inlet Valve Rocker Petrol RH
	2	BR 2312	274775	Inlet Valve Rocker Diesel RH
5	3	554602	554602	Bracket for Rocker Shaft
6	2	BR 1928	90512205	Inlet Valve Rocker Petrol LH
	2	BR 1844	274774	Inlet Valve Rocker Diesel LH
7	2	BR 1931	90512208	Exhaust Valve Rocker Petrol RH
	2	BR 1843	274773	Exhaust Valve Rocker Diesel RH
8	8	BR 0110	247614	Rocker Bush
9	8	BR 1549	NT605061L	Lock Nut Adjusting Screw 5/16 UNF
10	8	BR 0144	506814	Tappet Screw
11		ETC4460	ETC4460	Screw
12	1	BR 2068	WM600051L	Spring Washer
13	6	BR 1681	525389	Washer
14	5	BR 0411	525500	Bolt - 5/16" UNF
15		247607	247607	Stud for Rocker Shaft
16	1	BR 2068	WM600051L	Spring Washer
17	1	277956	277956	Rocker Dowel
18	8	BR 1853	546798	Push Rod Petrol
	8	BR 2176	546799	Push Rod Diesel
19	16	BR 0072	268293	Valve Cotter
20	8	BR 0341	268292	Valve Cap
21	8	BR 0069	ERR4640	Valve Spring
22	4	BR 1414	ERC7151	Exhaust Valve Petrol
	4	BR 1414G	ERC7151G	Exhaust Valve Petrol OEM
	4	BR 1683	ERC6794	Exhaust Valve Diesel
23	4	BR 1684	ERC6795	Inlet Valve Diesel
	4	BR 1413	ERC7150	Inlet Valve Petrol
	4	BR 1413G	ERC7150G	Inlet Valve Petrol OEM
24	8	BR 1909	ETC5057	Tappet
25	8	BR 2205	90517429	Follower
26	8	BR 3011	502473	Tappet Guide
27	8	BR 0266	273069	Washer
28	8	BR 2204	507025	Set Bolt For Tappet Adjuster
		BR 1911	507829	Tappet Kit

Website - www.bearmach.com

PARTS SUITABLE FOR  
**LAND ROVER SERIES 2a & 3**

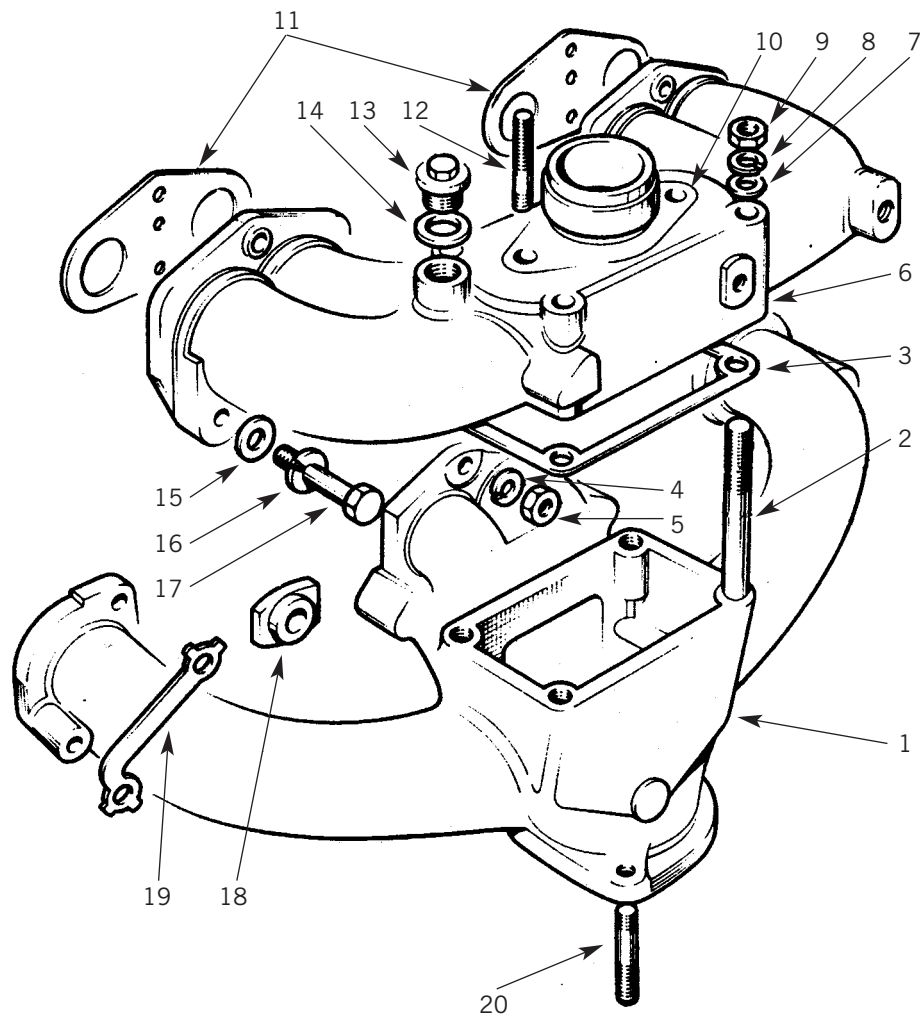
PAGE  
**41**

**QUICK REFERENCE**



B  
E  
A  
R  
M  
A  
C  
H

# Manifold



DRAWING REF	QUANTITY	BEARMACH REF	PART NUMBER	DESCRIPTION
1		BR 1894	598473	Manifold Exhaust OEM
2	4	BR 1572	574048	Stud Manifold
3	1	BR 1151	247824	Joint Washer
4	3	BR 2068	WM600051L	Spring Washer
5	3	BR 0321N	NH605041L	Nut - 5/16" UNF
6		BR 1848	596000	Manifold Inlet Assembly
7	4	BR 3581	WA108051L	Washer Plain
8	4	BR 2068	WM600051L	Spring Washer
9	4	BR 0321N	NH605041L	Nut - 5/16" UNF
10	1	BR 1417	278163	Carburettor Gasket
11	2	BR 0554	564307	Joint Washer
12	4	BR 0427	587726	Stud
13	1	BR 0191	536577	Plug
14	1	BR 0942	243959	Washer Copper
15	8	BR 3581	WA108051L	Washer Plain
16	8	BR 2068	WM600051L	Spring Washer
17	2	BR 0138	SH605091L	Bolt
18	2	BR 0270	564308	Manifold Clamp
19	2	ERC 7321	ERC 7321	Locking Washer
20	3	BR 1446	568664	Stud Exhaust Flange

Tel: +44 (0)29 20 856 550

Manufacturers' part numbers are used for reference purposes only

QUICK REFERENCE

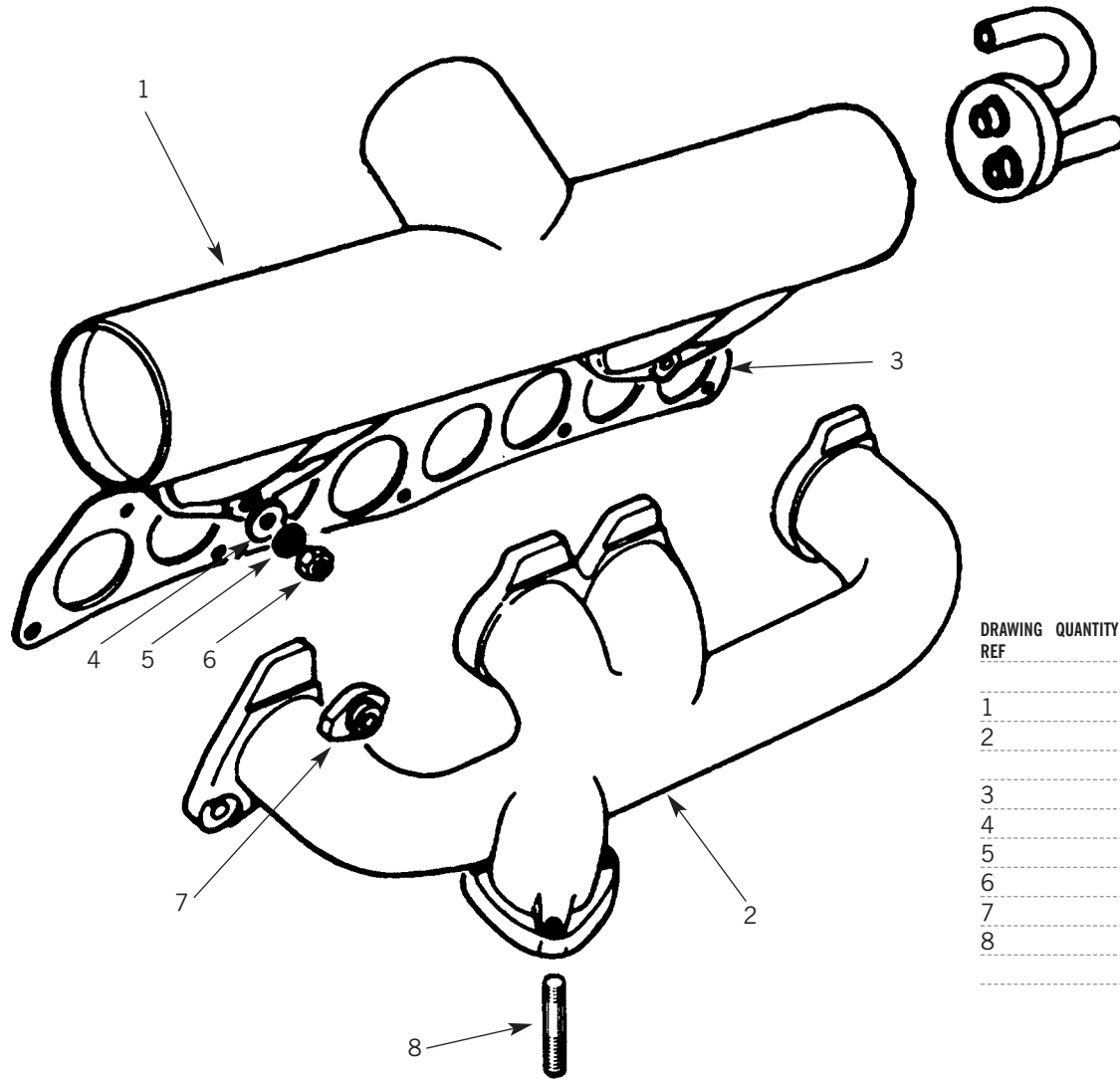
PAGE  
42

PARTS SUITABLE FOR  
**LAND ROVER SERIES 2a & 3**



# Diesel Exhaust and Inlet Manifold

## Series 2a and 3

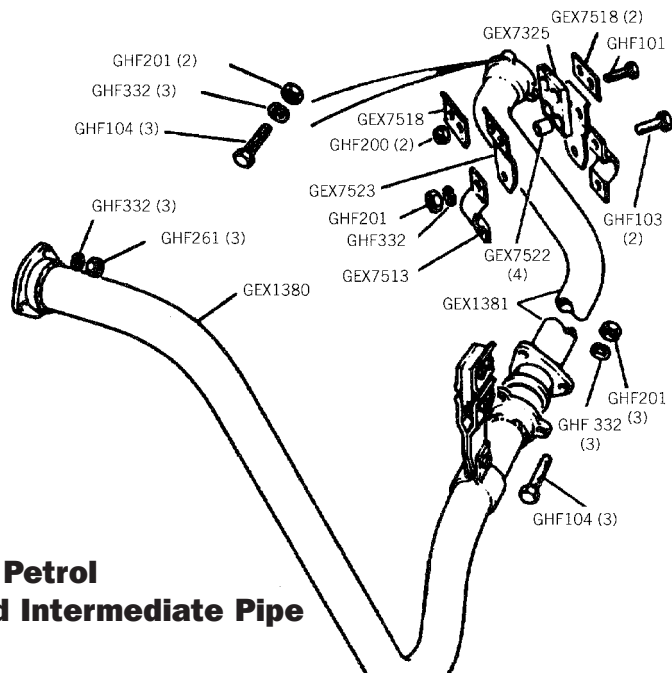


DRAWING REF	QUANTITY	BEARMACH REF	PART NUMBER	DESCRIPTION
1		574661	574661	Manifold Inlet Assembly
2		BR 3385	536514	Exhaust Manifold 4 Stud Diesel
		BR 1085	598104	Exhaust Manifold 3 Stud Diesel
3		BR 0515	ETC7750	Manifold Gasket 2.25 Diesel
4		BR 3581	WA108051L	Washer - Plain
5		BR 2068	WM600051L	Washer - Spring
6		BR 1423	FN108047L	Nut - Manifold
7		BR 0270	564308	Manifold Clamp
8		BR 0269	252621	Stud Flange 4 Hole
		BR 1446	568664	Stud Flange 3 Hole

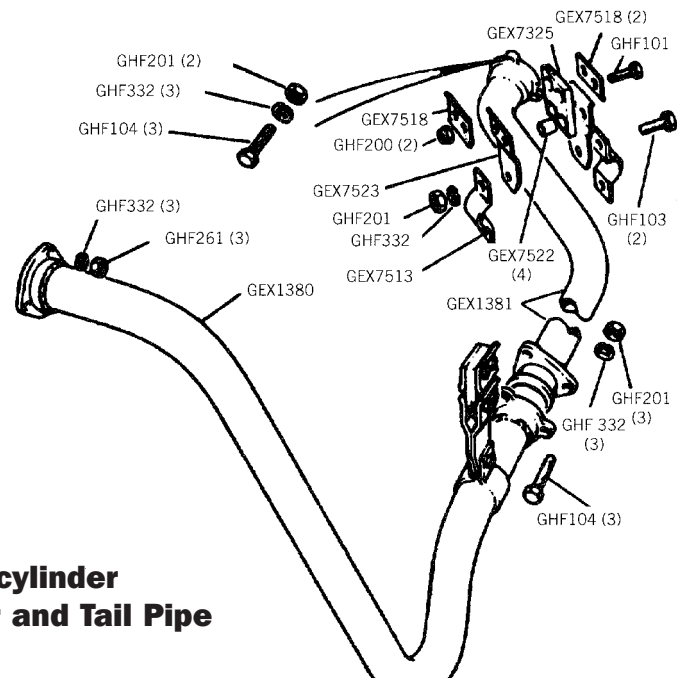




B  
E  
A  
R  
M  
A  
C  
H

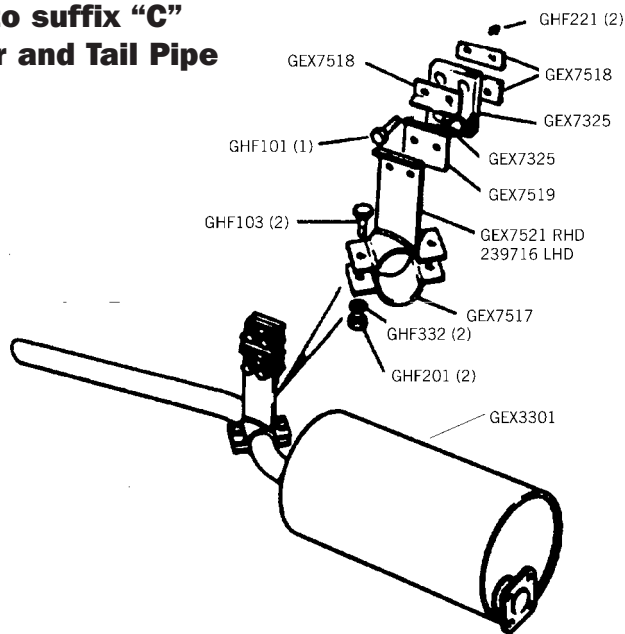


**2.6 Litre Petrol  
Front and Intermediate Pipe**

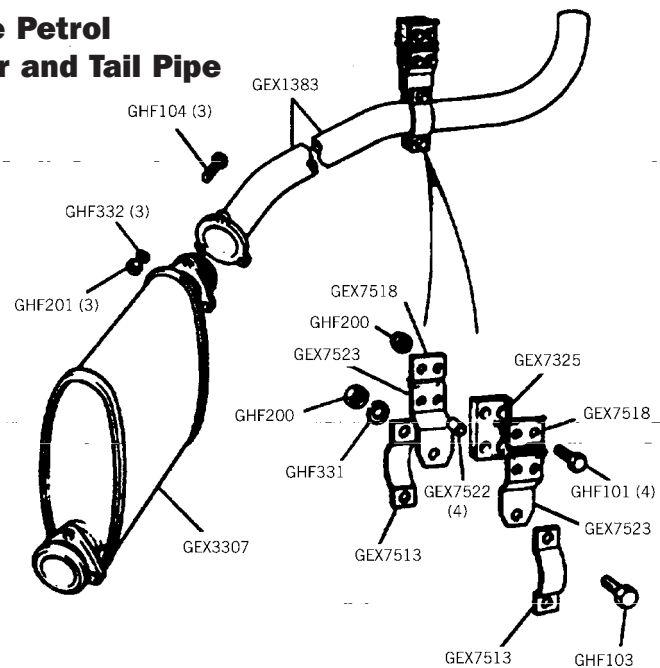


**109" 4 cylinder  
Silencer and Tail Pipe**

**88" up to suffix "C"  
Silencer and Tail Pipe**



**2.6 litre Petrol  
Silencer and Tail Pipe**



QUICK REFERENCE

PAGE  
44

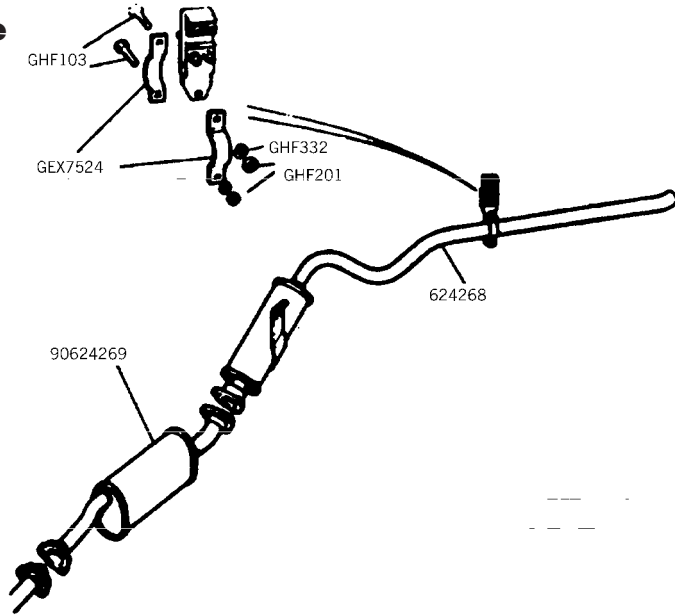
PARTS SUITABLE FOR  
**LAND ROVER SERIES 2a & 3**

Tel: +44 (0)29 20 856 550

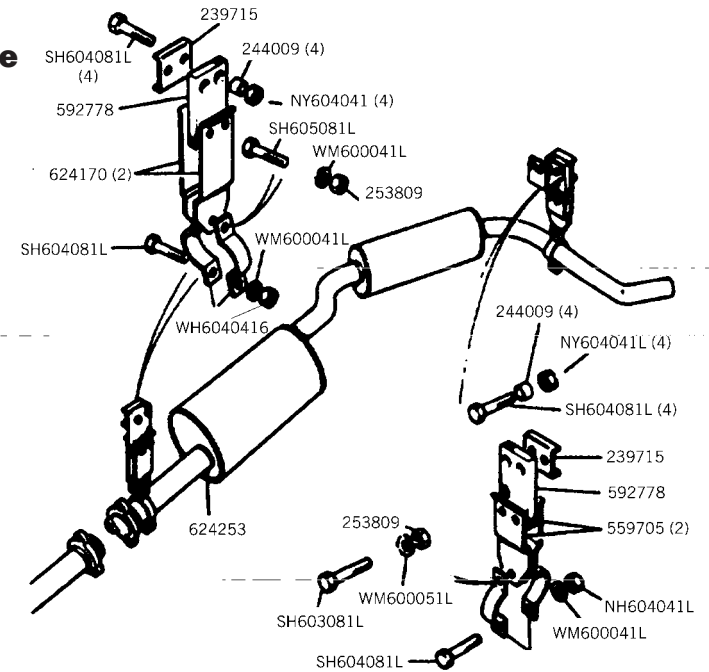




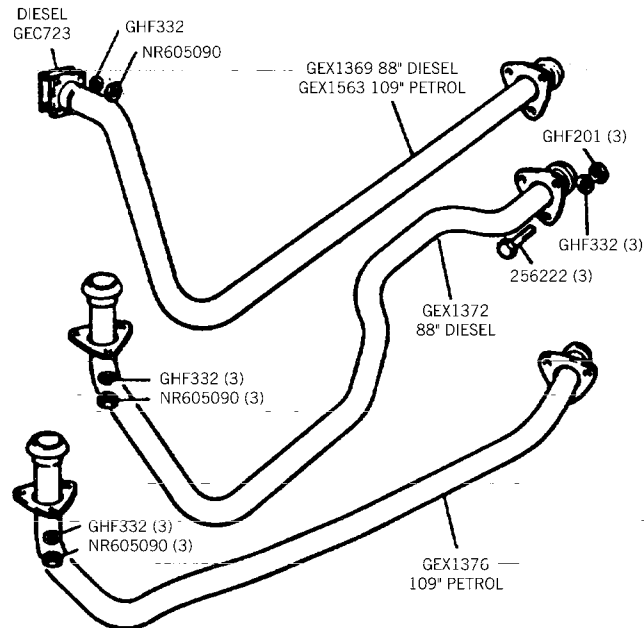
**Series 3**  
**109" 2.25 Litre**  
**(Optional)**



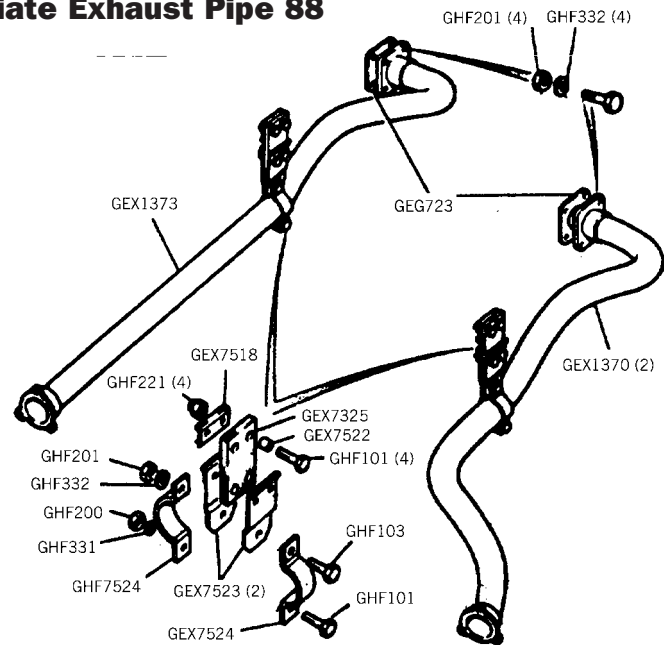
**Series 3**  
**88" 2.25 Litre**  
**(Optional)**



**2.25 Litre Petrol and Diesel**  
**Front Exhaust**



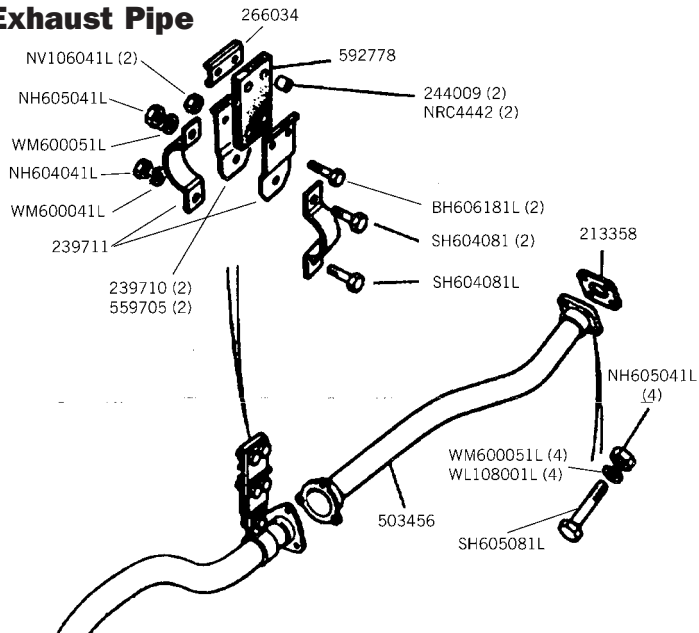
**Intermediate Exhaust Pipe 88**



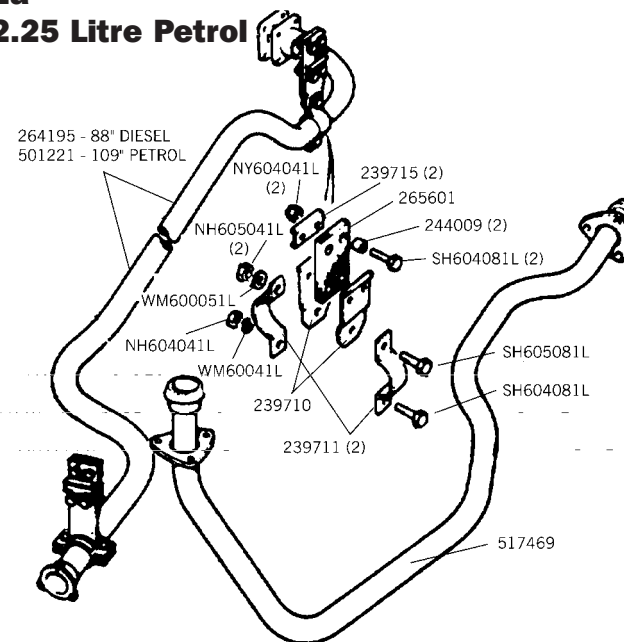


B  
E  
A  
R  
M  
A  
C  
H

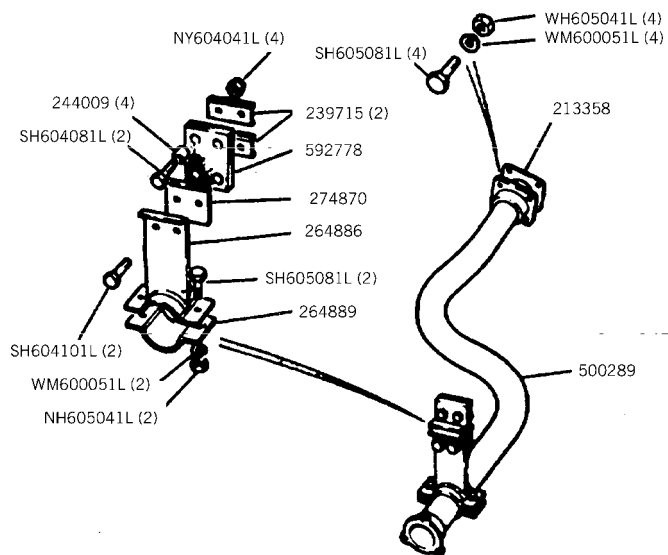
**109" All models from Suffix "C"  
Intermediate Exhaust Pipe**



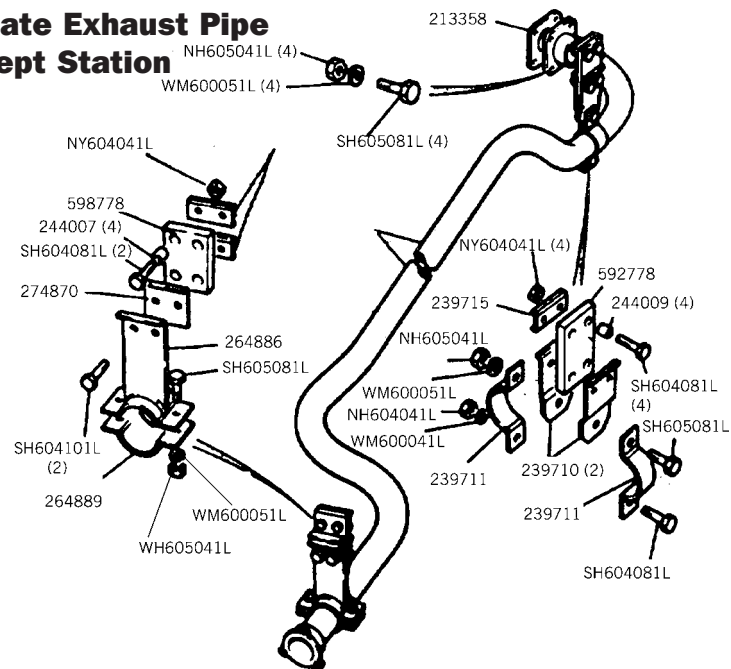
**Series 2 and 2a  
88" and 109" 2.25 Litre Petrol  
Front Pipes**



**109" Station wagon up to Suffix "B"**



**Intermediate Exhaust Pipe  
109" except Station  
Wagon**



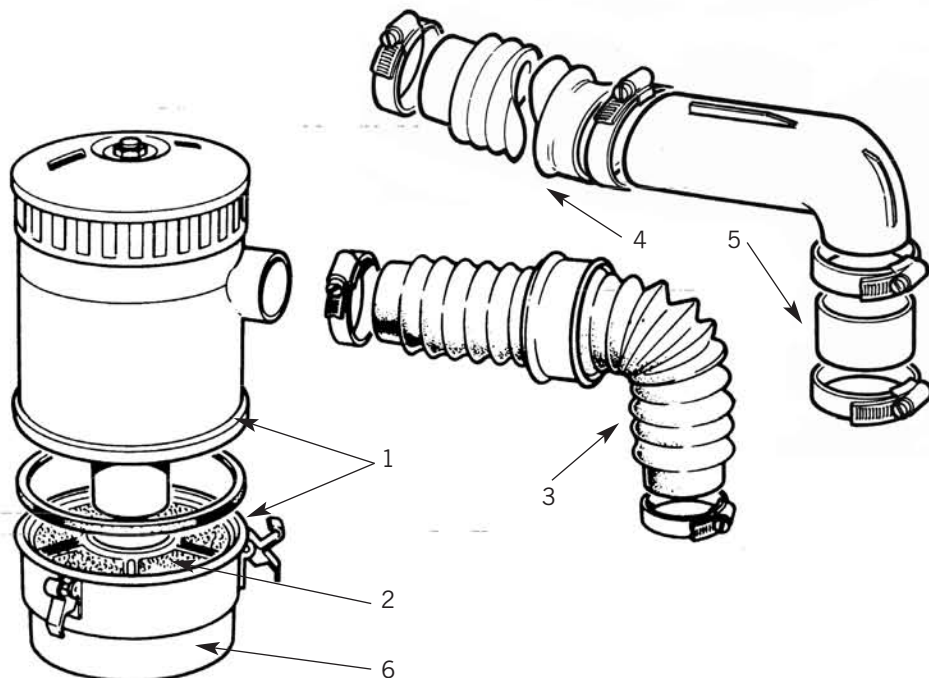
Tel: +44 (0)29 20 856 550

Manufacturers' part numbers are used for reference purposes only

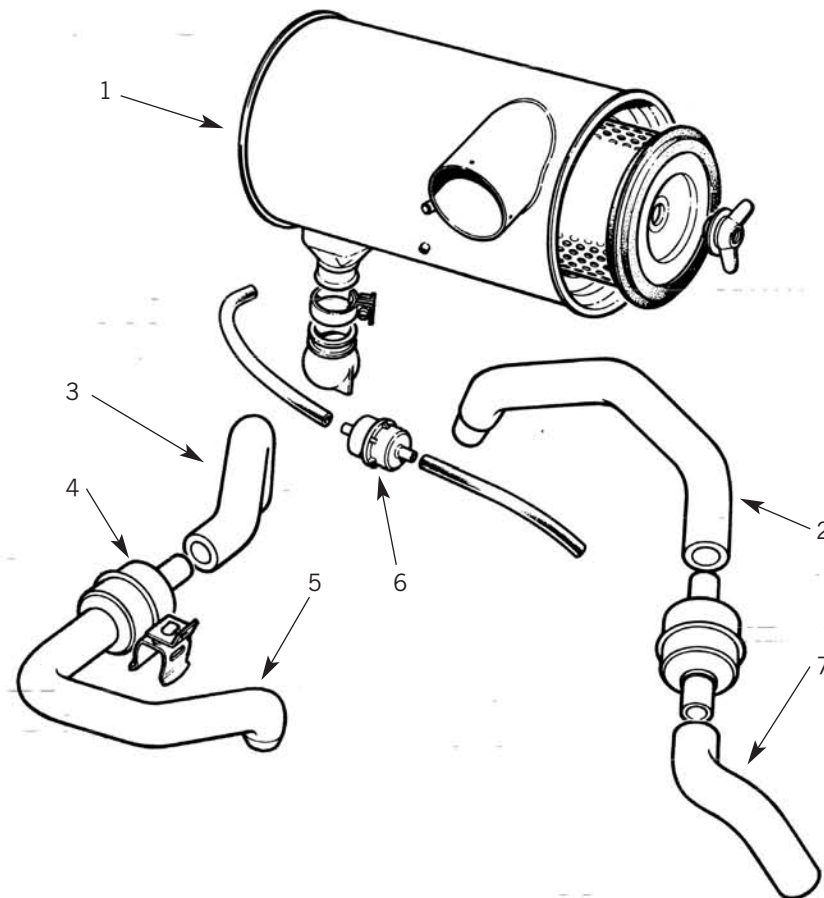


B  
E  
A  
R  
M  
A  
C  
H

## Air Cleaner Assembly 2.25 Petrol and Diesel



## Air Cleaner Assembly V8



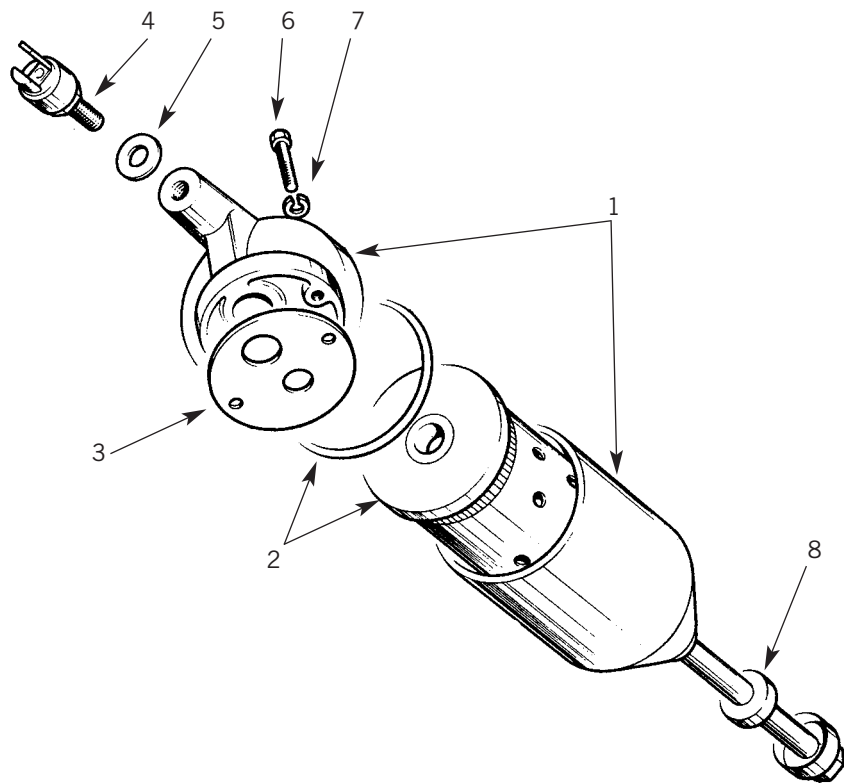
DRAWING REF	QUANTITY	BEARMACH REF	PART NUMBER	DESCRIPTION
1		BR 2173	279652	Air Cleaner Assembly Petrol and Diesel
2		BR 1464	600401	Oil Container Petrol and Diesel
3		BR 1764	600613	Air Filter Element
4		BR 2150	90509730	Connection Hose Diesel
5		BR 1608	517903	Air Hose Petrol
6		554418	554418	Rubber Seal

DRAWING REF	QUANTITY	BEARMACH REF	PART NUMBER	DESCRIPTION
1		BR 0271	RTC3479	Air Filter Element
2		90611112	90611112	Hose to Carburettor LH
3		611113	611113	Hose to Rocker Cover RH
4		BR 3132	603330	Flame Trap
5		90611112	90611112	Hose to Carburettor RH
6		BR 3137	606168	Breather Filter or Fuel Filter
7		BR 3228	611114	Hose To Rocker Cover LH

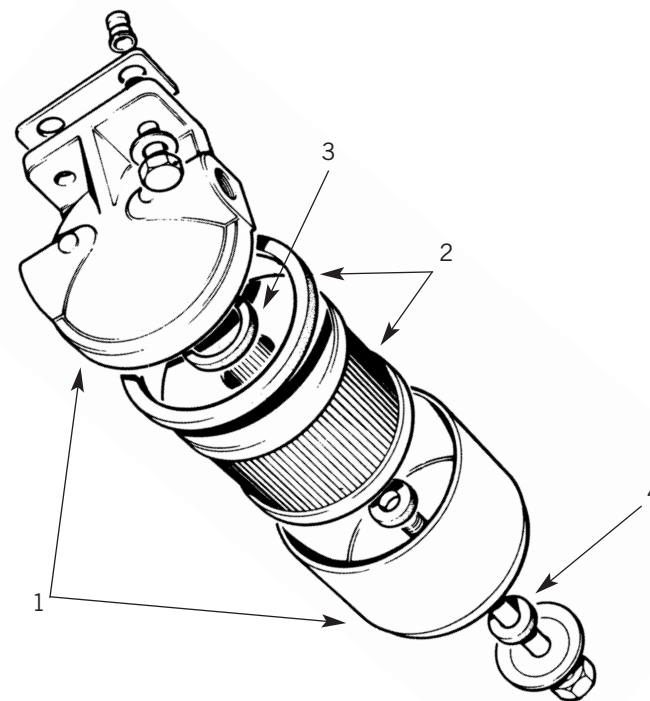


BEARMACH

## Oil Filter Assembly 2.25 Petrol & Diesel



## Fuel Filter Assembly 2.25 Diesel



DRAWING REF	QUANTITY	BEARMACH REF	PART NUMBER	DESCRIPTION
1		BR 1735	537229	Oil Filter Assembly
2		BF 210	GFE130	Oil Filter Element - Short Type
		BF 210G	GFE130G	Oil Filter Element - Short Type OEM
		BF 145	GFE144	Oil Filter Element - Long Type
3		BR 1363	ERR 3607	Joint Washer
4		BR 1628	505152	Oil Pressure Switch
5		BR 0856	232039	Joint Washer
6		BR 0158	SH607101L	Bolt
7		BR 0622	WM600041L	Washer Spring
8		269889	269889	Sealing Washer

DRAWING REF	QUANTITY	BEARMACH REF	PART NUMBER	DESCRIPTION
1		BF 410	563190	Fuel Filter Assembly 2.25 Diesel
2		BF 285	RTC6079	Fuel Filter Element
3		BR 1955	37H575L	Fuel Filter Seal
4		269889	269889	Plug Seal

Tel: +44 (0)29 20 856 550

Manufacturers' part numbers are used for reference purposes only

QUICK REFERENCE

PAGE  
48

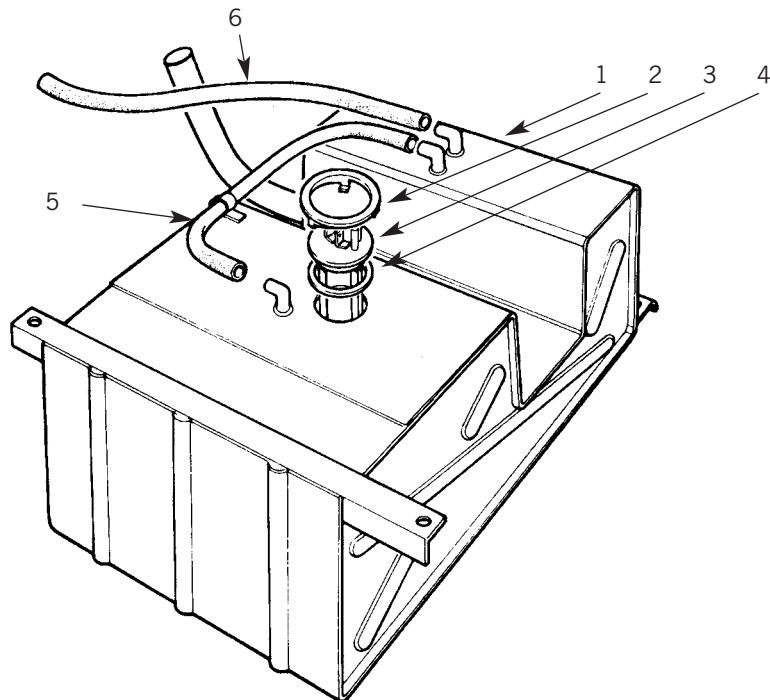
PARTS SUITABLE FOR  
**LAND ROVER SERIES 2a & 3**



B  
E  
A  
R  
M  
A  
C  
H

## Fuel Tank

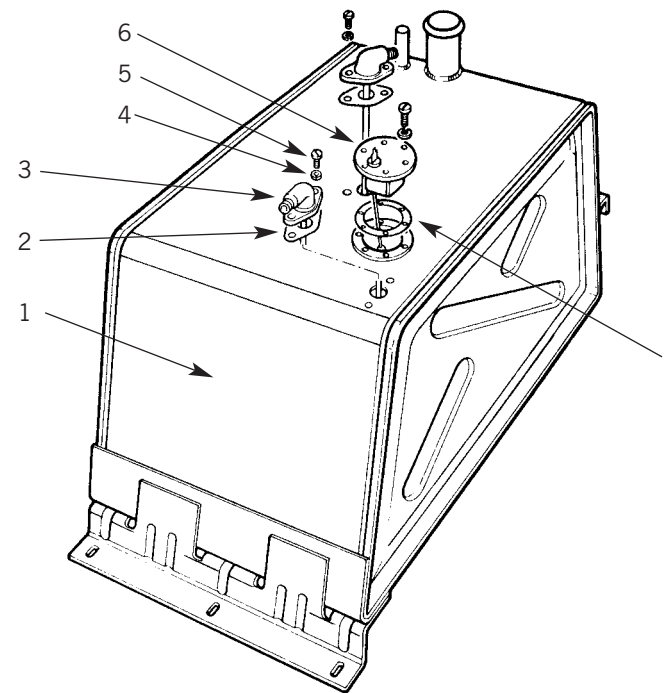
109" – Suffix C on



DRAWING REF	BEARMACH REF	PART NUMBER	DESCRIPTION
1	BR 1023	599233	Fuel Tank Petrol Suffix C on
	BR 1024	599234	Fuel Tank Diesel Suffix C on
2	BR 1488	ARA1501L	Locking Ring
3	BR 2324	623097	Tank Gauge Petrol Suffix C on OEM
	BR 2324R	623097R	Tank Gauge Petrol Suffix C on
	BR 2326	555847	Tank Gauge Diesel SW up to Suffix B OEM
	BR 2326R	555847R	Tank Gauge Diesel SW up to Suffix B
	BR 2302	555846	Tank Gauge Petrol SW up to Suffix B OEM
	BR 2302R	555846R	Tank Gauge Petrol SW up to Suffix B
4	BR 1489	ARA1502L	Tank Gauge Sealing Ring
5	543765	543765	Breather Hose

## Fuel Tank

109" – up to Suffix B



DRAWING REF	BEARMACH REF	PART NUMBER	DESCRIPTION
1	BR 1885	552174	Fuel Tank Petrol up to Suffix B
	BR 1885R	552174R	Fuel Tank Petrol up to Suffix B
2	BR 0597	ERR3277	Gasket
3	271872	271872	Fuel Pipe Elbow
4	BR 0622	WM600041L	Spring Washer
5	BR 0924	SH106167L	Screw
6	BR 2301	90560612	Tank Gauge Petrol up to Suffix B OEM
	BR 2301R	90560612R	Tank Gauge Petrol up to Suffix B
	BR 2325	555845	Tank Gauge Diesel up to Suffix B OEM
	BR 2325R	555845R	Tank Gauge Diesel up to Suffix B
7	BR 0582	546488	Gasket

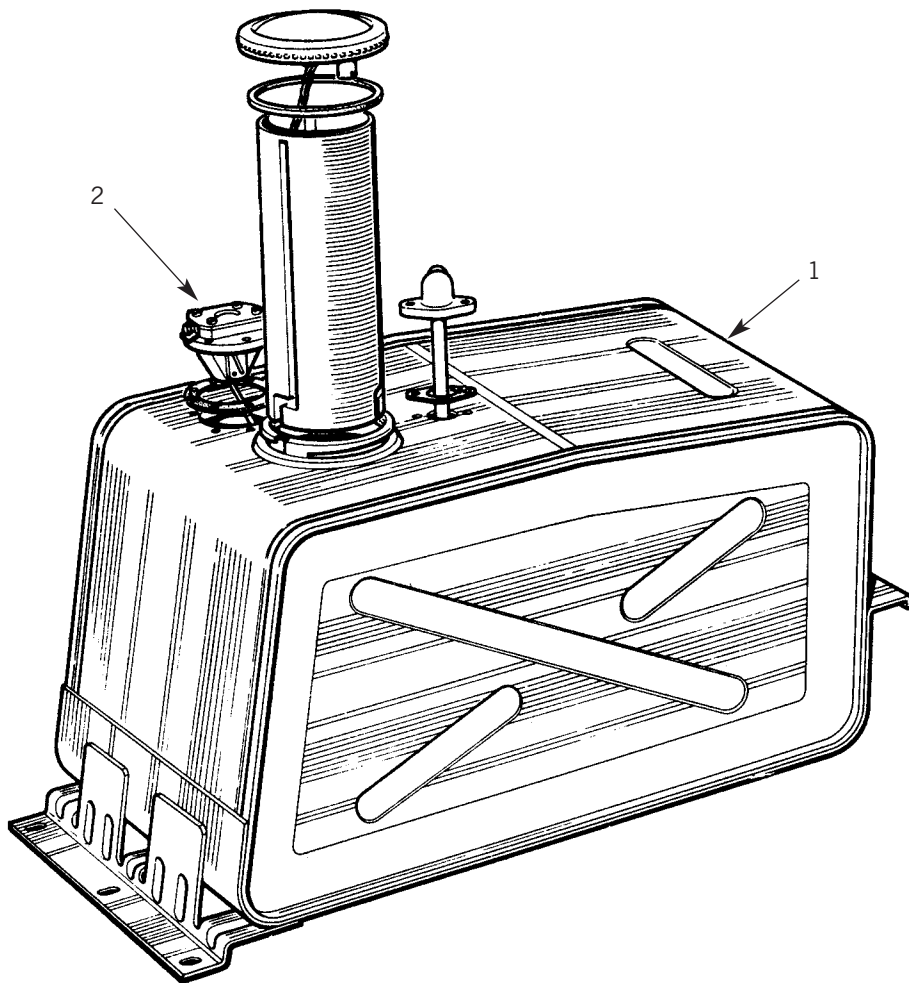
Website – [www.bearmach.com](http://www.bearmach.com)



B  
E  
A  
R  
M  
A  
C  
H

# Fuel Tank

## 88" and 109" Auxiliary



DRAWING REF	BEARMACH REF	PART NUMBER	DESCRIPTION
1	BR 1350	STC613	Fuel Tank Auxiliary
	BR 1885R	552174R	Fuel Tank up to Suffix B 88" & 109" Auxiliary
2	BR 2301	90560612	Tank Gauge Petrol up to Suffix B OEM
	BR 2301R	90560612R	Tank Gauge Petrol up to Suffix B
	BR 2325	555845	Tank Gauge Diesel up to Suffix B OEM
	BR 2325R	555845R	Tank Gauge Diesel up to Suffix B

Tel: +44 (0)29 20 856 550

Manufacturers' part numbers are used for reference purposes only

QUICK REFERENCE

PAGE  
**50**

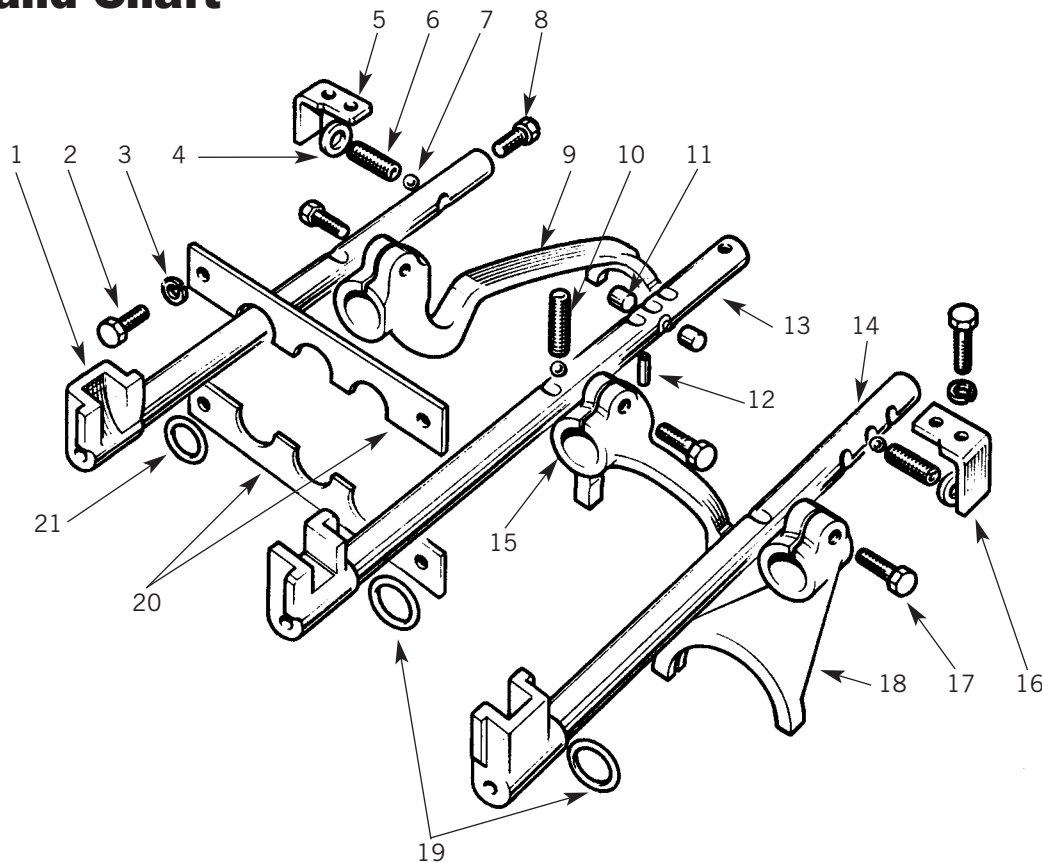
PARTS SUITABLE FOR  
**LAND ROVER SERIES 2a & 3**





B  
E  
A  
R  
M  
A  
C  
H

# Gearbox Selectors and Shaft



DRAWING REF	QUANTITY	BEARMACH REF	PART NUMBER	DESCRIPTION
1		BR 0198	576729	Selector Shaft Reverse Gear
2	4	NLS	90215769	Bolt
3		BR 0622	WM600041L	Spring Washer
4	2	BR 0843	5852	Rubber Grommet
5	1	5854	5854	Retaining Plate
6	1	BR 0402	56102	Spring
7	3	BR 0839	BLS112L	Steel Ball Selector
8	1	622281	622281	Stop Adjuster Bolt
9	1	BR 3532	FRC1815	Selector Fork Reverse
10	2	BR 0493	3649	Spring
11	2	BR 2152	55638	Plunger

DRAWING REF	QUANTITY	BEARMACH REF	PART NUMBER	DESCRIPTION
12	1	BR 0651	571158	Clevis Pin
13	1	BR 0197	FRC5897	Selector Shaft 1st & 2nd Gears
14	1	BR 2160	90213636	Selector Shaft 3rd & 4rd Gears
15	1	BR 2018	576703	Selector Fork
16	1		5853	Retaining Plate (Obsolete)
17	3	BR 0414	217564	Bolt
18	1	BR 2159	RTC1958	Selector Fork
19	2	BR 1056	272596	Sealing Ring
20	2	241598	241598	Retaining Plate
21	1	BR 1057	515573	Sealing Ring

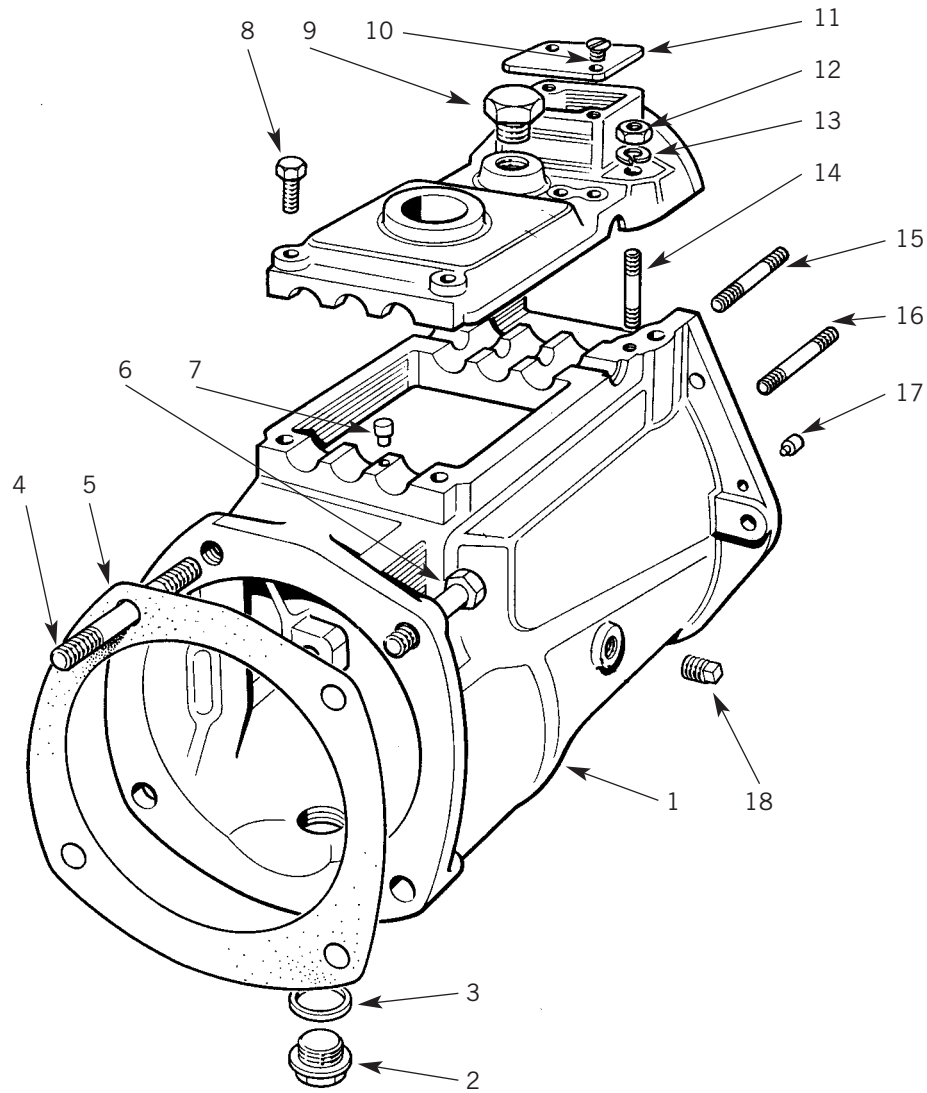
Website - [www.bearmach.com](http://www.bearmach.com)

PARTS SUITABLE FOR  
**LAND ROVER SERIES 2a & 3**



BEARMACH

# Gearbox – Main Casing



DRAWING REF	QUANTITY	BEARMACH REF	PART NUMBER	DESCRIPTION
1		BR 2265	605933	Gearbox Casing Assembly
2		BR 1304	540870	Plug Drain
3		BR 0671	515599	Copper Washer
4		BR 1133	247145	Stud
5		BR 0713	622045	Joint Washer
6		BR 1158	248720	Fixing Bolt
7		BR 0687	7289	Dowel
8		BR 3060	BH605121L	Fixing Bolt
9		BR 0191	536577	Plug
10	2	BR 0449	52246	Set Screw
11		FRC4007	FRC4007	Cover Plate Top NLS
12	2	BR 0738	NH406041L	Nut - 3/8" BSF
13		WM600041	WM600041L	Spring Washer
14	2	252623	252623	Stud
15	2	BR 0458	55778	Stud
16	2	BR 0880	3238	Stud Short
17	1	BR 0011	213700	Dowel
18	1	BR 0842	3292	Oil Filter Plug

Tel: +44 (0)29 20 856 550

Manufacturers' part numbers are used for reference purposes only

QUICK REFERENCE

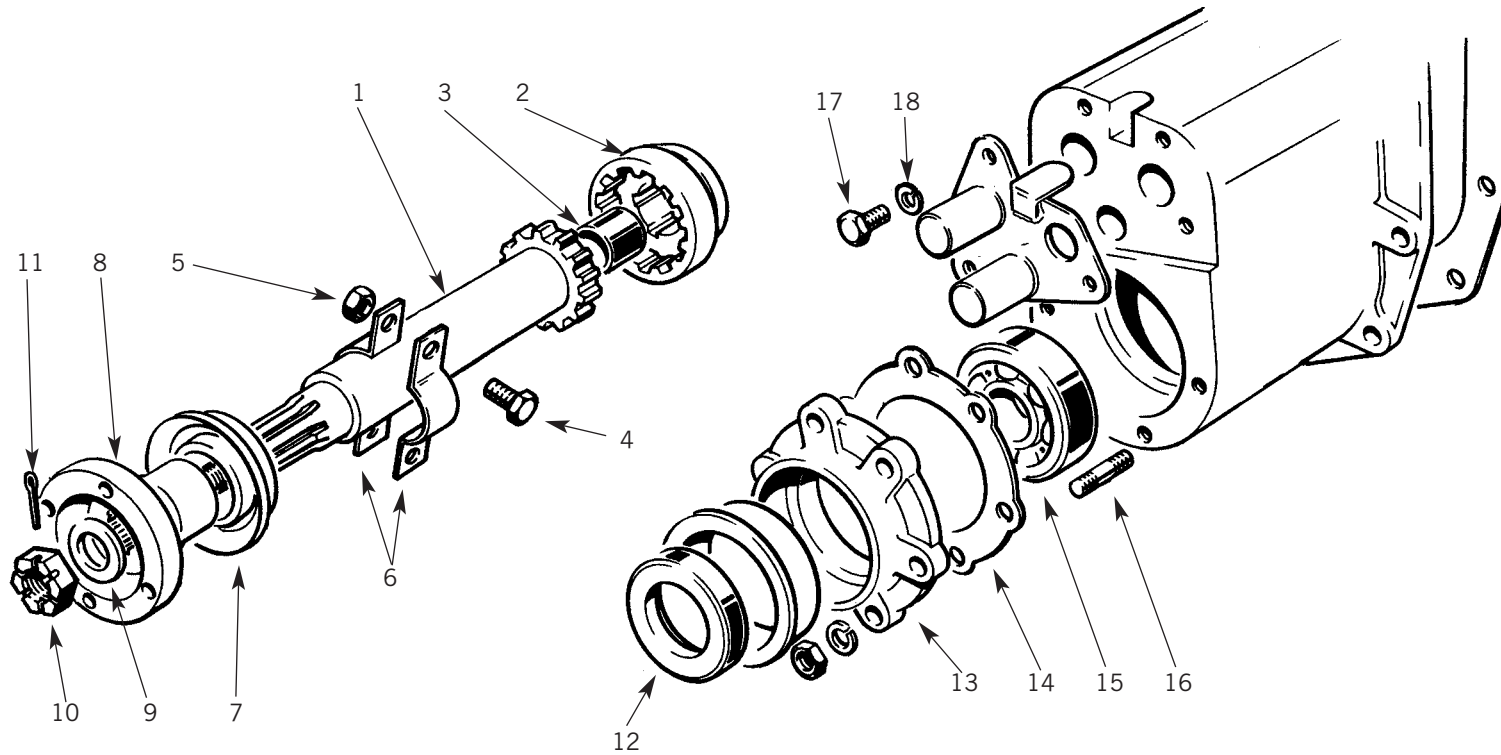
PAGE 52

PARTS SUITABLE FOR LAND ROVER SERIES 2a & 3



BEARMACH

# Front Output Shaft and Housing



DRAWING REF	QUANTITY	BEARMACH REF	PART NUMBER	DESCRIPTION
1		BR 2030	243611	Shaft Assembly Gear
2		BR 0719	233241	Lock Dog
3		BR 0185	8566L	Bush
4	2	BR 0077	544337	Bolt
5	2	BR 1552	NZ606041L	Self Locking Nut
6		243873	243873	Oil Thrower
7		BR 2100	236074	Mud Shield
8		BR 2138	539993	Driving Flange
9		BR 1609	90513454	Washer
10		BR 0611	3259	Nut Driving Member

DRAWING REF	QUANTITY	BEARMACH REF	PART NUMBER	DESCRIPTION
11		BR 0869	PS608101	Split Pin
12		BR 3547	FRC1780	Oil Seal
		BR 3547G	FRC1780G	Oil Seal OEM
13		BR 2038	236541	Mud Shield Retainer Assy
14		BR 0981	FRC1511	Joint Washer
15		BR 0800	217325	Bearing Output Shaft
		BR 0800R	217325R	Bearing Output Shaft
16		BR 0423	217978	Stud
17		BR 0818	FS106106L	Bolt
18		BR 0622	WM600041L	Spring Washer

Website - www.bearmach.com

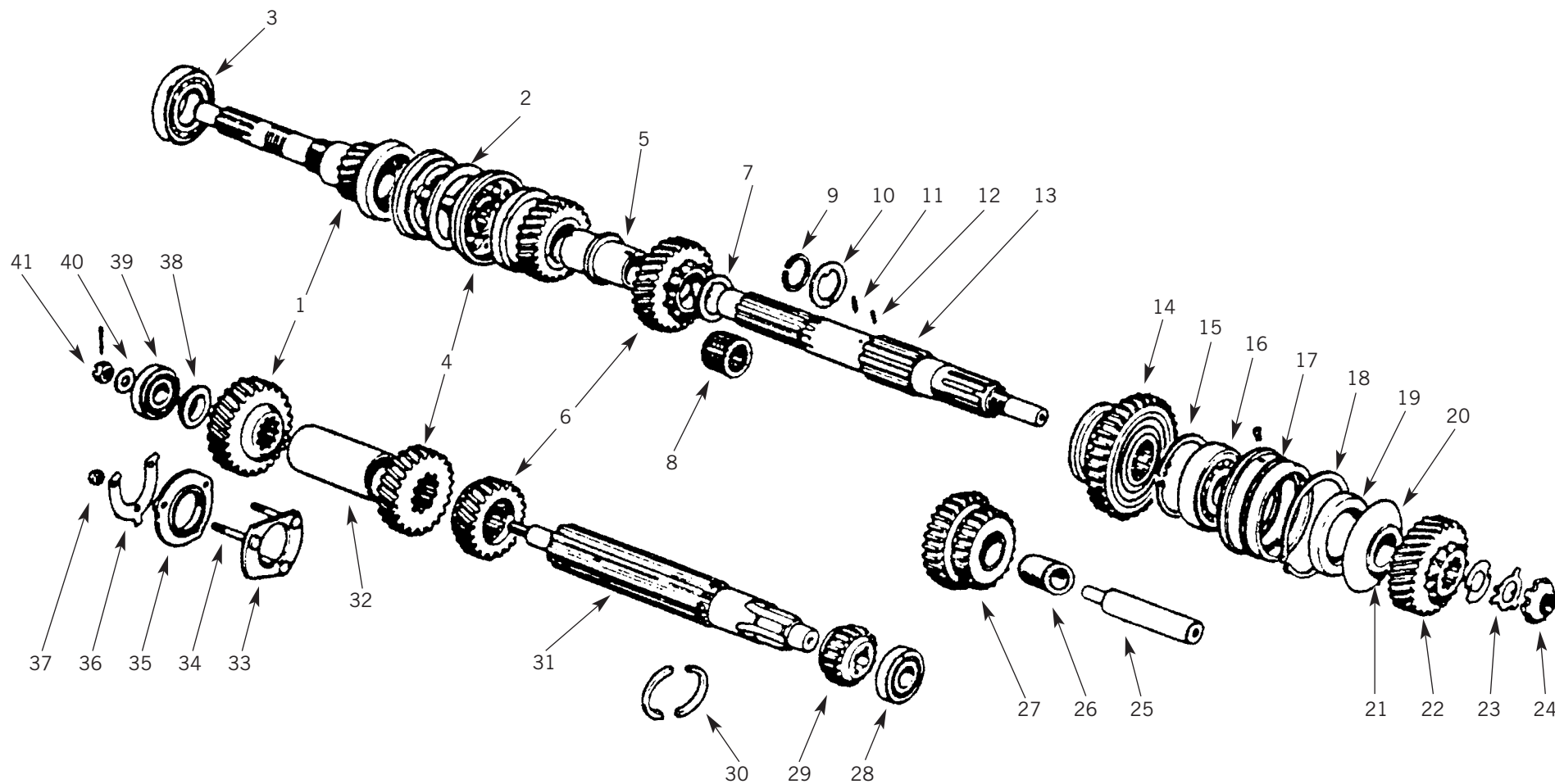
PARTS SUITABLE FOR  
**LAND ROVER SERIES 2a & 3**



# Gearbox

## Series 2 and 2a

Key to diagram is on next page





# Gearbox

## Series 2 and 2a

Key to diagram on previous page

DRAWING REF	QUANTITY	BEARMACH REF	PART NUMBER	DESCRIPTION
1		BR 0286	518473	Primary Pinion & Constant Gear up to Suffix B
		BR 2000	542231	Primary Pinion & Constant Gear Suffix C on
		BR 2000G	542231G	Primary Pinion & Constant Gear Suffix C on OEM
2		BR 1777	FRC1758	Synchro Clutch Suffix C
		BR 1777G	FRC1758G	Synchro Clutch Suffix C
3		BR 0798	55714	Bearing for Primary Pinion
		BR 0798R	55714R	Bearing for Primary Pinion
4		BR 0293	245767	Gear 3rd Speed and Mainshaft Gear
5		BR 2097	571218	Mainshaft Distance Sleeve OEM
		BR 2097R	571218R	Mainshaft Distance Sleeve
6		BR 0292	245766	2nd Speed Layshaft and Mainshaft Gear up to Suffix C
		BR 2029	600916	2nd Speed Layshaft and Mainshaft Gear from Suffix D on
7		BR 2041	267573	Thrust Washer for Second Gear
8		BR 0454G	6397G	Bearing Needle Roller OEM
9		BR 0462	RTC1957	Spring Ring Fixing - 2nd & 3rd Mainshaft Gears
10		BR 0360	RTC1962	Thrust Washer 0.125 (as required)
		BR 0361	RTC1118	Thrust Washer 0.128 (as required)
		BR 0362	50703	Thrust Washer 0.135 (as required)
11		BR 0828	RTC1979	Peg Mainshaft Distance Sleeve
12		BR 0027	6405	Peg for 2nd Gear Thrust Washer
13		BR 0289	264250	Mainshaft
14		BR 0291	501617	Mainshaft Gear
15		BR 0725	9960	Circlip Bearing to Housing
16		BR 0454G	6397G	Bearing for Mainshaft OEM
17		BR 2131	FRC5115	Bearing Housing Mainshaft Casing
18		BR 0673	RTC1984	Circlip Housing to Casing
19		BR 0463	236305	Oil Seal for Rear Mainshaft
		BR 0463G	236305G	Oil Seal for Rear Mainshaft OEM

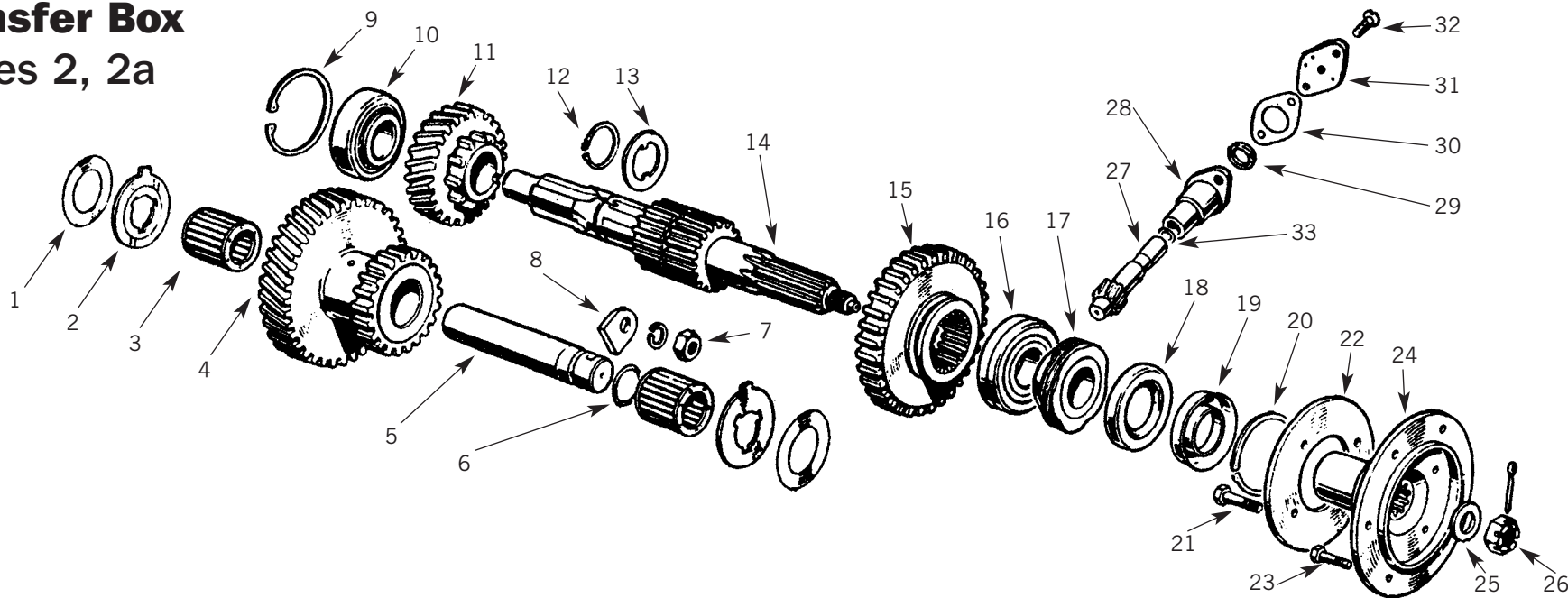
DRAWING REF	QUANTITY	BEARMACH REF	PART NUMBER	DESCRIPTION
20		BR 2096	232415	Oil Thrower Mainshaft
21		BR 1487	502482	Distance Piece Rear Mainshaft
22		BR 0294	218244	Mainshaft Gear Transfer Box
23		BR 0365	RTC7169	Lock Washer
24		BR 0851	217477	Special Nut
25		BR 0727	561962	Shaft - Reverse Gear (early type)
26		BR 0132	561954	Bush for Reverse Wheel
27		BR 0296	217389	Reverse Wheel Assembly up to Suffix B
		BR 1924	561960	Reverse Wheel Assembly from Suffix C on
28		BR 0799	576206	Bearing - Layshaft OEM
		BR 0799R	576206R	Bearing - Layshaft
29		BR 0290	501616	Layshaft Gear 1st Speed up to Suffix B
		BR 1923	511189	Layshaft Gear 1st Speed from Suffix C on
		BR 0291	501617	Mainshaft Gear 1st Speed up to Suffix B
		BR 1925	511205	Mainshaft Gear 1st Speed from Suffix C on
30		BR 0092	RTC1982	Lockwasher
31		BR 0288	RTC1981	Layshaft up to Suffix A
		BR 1967	528703	Layshaft Gearbox Suffix B and C only
		BR 2031	556040	Layshaft from Gearbox Suffix D on
32		BR 0287	263878	Layshaft Sleeve
33		BR 2089	214792	Bearing Plate Assembly for Layshaft
34		213417	213417	Stud
35		BR 2014	528690	Retaining Plate
36		BR 1227	528683	Lockwasher
37		BR 1549	NT605061L	Nut 5/16" UNF
38		BR 1059	241650	Distance Piece
39		BR 0334	576207	Layshaft Bearing
40		BR 0074	8185	Plain Washer
41		BR 0333	RTC1983	Slotted Nut 1/2" BSF





BEARINGMACH

# Transfer Box Series 2, 2a



DRAWING REF	QUANTITY	BEARMACH REF	PART NUMBER	DESCRIPTION
1		BR 0677	561197	Shim for Intermediate
2	2	BR 0452	219469	Thrust Washer Suffix A
		BR 0831	521328	Thrust Washer Suffix B on OEM
		BR 0831R	521328R	Thrust Washer Suffix B on
3	2	BR 0451	219466	Roller Bearing Suffix A
		BR 1640	599869	Roller Bearing Suffix B on
4		BR 0297	219468	Gear - Intermediate up to Suffix A
		BR 1945	521330	Gear - Intermediate Suffix B only
		BR 1985	533080	Gear - Intermediate from Suffix C on
5		BR 0298	278025	Shaft - Intermediate
6		BR 2034	532323	'O' ring
7		BR 0738	NH406041L	Nut 3/8" BSF
8		BR 2065	217484	Retaining Plate for Shaft
9		BR 0647	90217526	Circlip - Fixing Bearing to Case
10		BR 0335	217490	Bearing - Output Shaft Front
11		BR 0300	218243	High Gear Wheel
12		BR 0367	217489	Circlip Fixing Washer to Shaft
13		BR 0852	90217488	Thrust Washer
14		BR 0301	591429	Output Shaft
15		BR 0299	235438	Low Gear Wheel up to Suffix B
		BR 1984	532979	Low Gear Wheel from Suffix C on

DRAWING REF	QUANTITY	BEARMACH REF	PART NUMBER	DESCRIPTION
16		BR 0791	90217512	Bearing for Output Shaft Rear
17		BR 0302	540004	Speed Worm
18		BR 3547	FRC1780	Oil Seal
		BR 3547G	FRC1780G	Oil Seal OEM
19		BR 2100	236074	Mudshield for Flange
20		BR 0920	217546	Circlip Retaining Bolt and Flange
21		BR 0780	90512701	Bolt 3/8" UNF x 13/16"
22		217568	217568	Flange
23		BR 0414	217564	Bolt for Brake Drum
24		BR 2035	236630	Flange for Output Shaft Rear
25		BR 0883	3300L	Plain Washer
26		BR 0611	3259	Nut Driving Member
27		BR 0303	FRC1536	Speedo Pinion
28		BR 0137	268791	Sleeve - Speedo Pinion
29		BR 0499	211502	Oil Seal for Pinion
30		BR 1321	267782	Joint Washer for Sleeve
31		232565	232565	Retaining Plate for Pinion
32	2	BR 0444	SH604061L	Screw Fixing Plate to Housing
33		BR 0366	267782	Sealing Ring

Tel: +44 (0)29 20 856 550

Manufacturers' part numbers are used for reference purposes only

QUICK REFERENCE

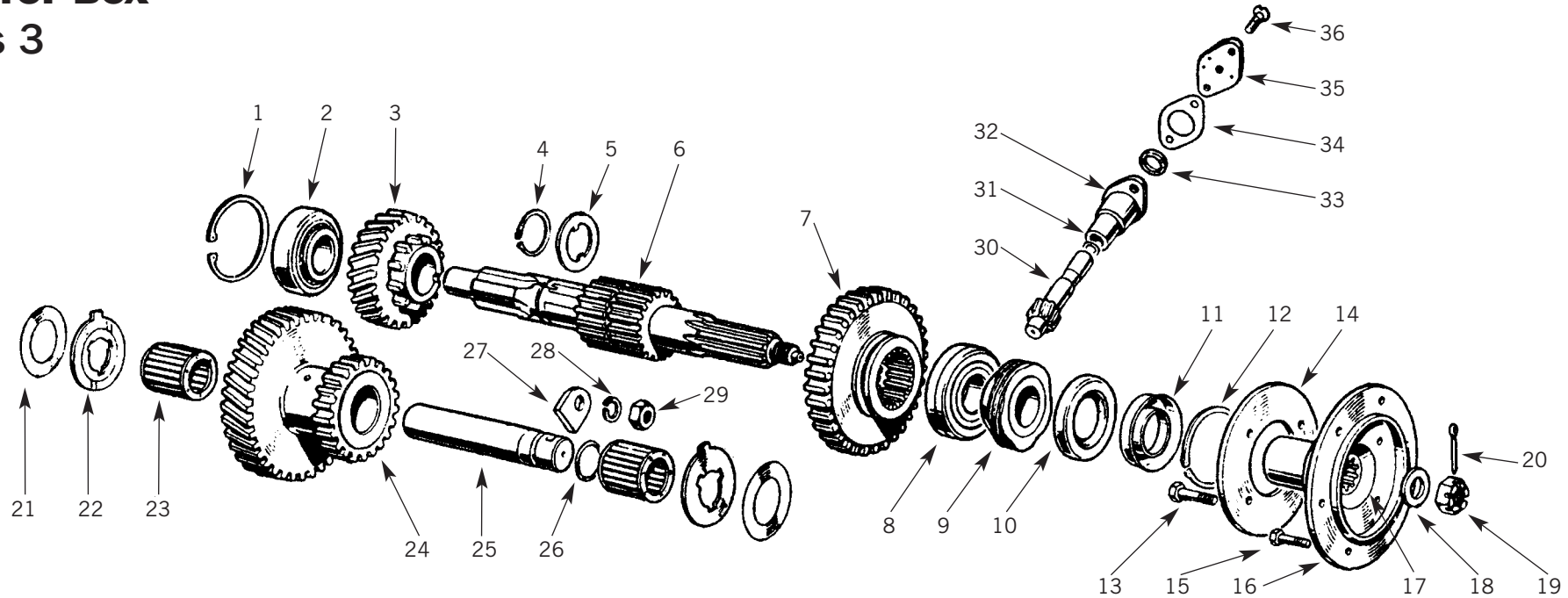
PAGE  
56

PARTS SUITABLE FOR  
**LAND ROVER SERIES 2a & 3**



B  
E  
A  
R  
I  
N  
G  
S

# Transfer Box Series 3



DRAWING REF	QUANTITY	BEARMACH REF	PART NUMBER	DESCRIPTION
1		BR 0647	90217526	Circlip
2		BR 0335	217490	Bearing Output Shaft
3		BR 0300	218243	Gear High Wheel
4		BR 0367	217489	Circlip
5		BR 0852	90217488	Thrust Washer
6		BR 0301	591429	Output Shaft
7		BR 0299	235438	Low Gear
8		BR 0791	90217512	Bearing Output Shaft
9		BR 0302	540004	Speedo Worm
10		BR 3547	FRC1780	Oil Seal
		BR 3547G	FRC1780G	Oil Seal OEM
11		BR 2100	236074	Mud Shield
12		BR 0920	217546	Circlip
13		BR 0780	90512701	Bolt - 3/8" UNF x 1.3/16"
14		217568	217568	Flange
15		BR 0414	217564	Bolt
16		BR 2035	236630	Flange
17		BR 0700	622042	Felts Seal
18		BR 0365	RTC7169	Lock Washer

DRAWING REF	QUANTITY	BEARMACH REF	PART NUMBER	DESCRIPTION
19		BR 0611	3259	Nut Driving Member
20		BR 0869	PS608101L	Split Pin
21	2	BR 0677	561197	Shim
22	2	BR 0831	521328	Thrust Washer OEM
	2	BR 0831R	521328R	Thrust Washer
23	2	BR 1640	599869	Bearing Needle Roller
24		BR 1985	533080	Intermediate Gear
25		BR 0832	594195	Intermediate Shaft
26		BR 2034	532323	'O' Ring
27		BR 2065	217484	Retaining Plate
28		WM600061L	WM600061L	Spring Washer
29		BR 0738	NH406041L	Nut - 3/8" BSF
30		BR 0303	FRC1536	Speedo Pinion
31		BR 0366	267828	Sealing Ring
32		BR 0137	268791	Sleeve - Speedo Pinion
33		BR 0499	211502	Oil Seal
34		BR 1321	267782	Joint Washer
35		232565	232565	Retaining Plate
36	2	BR 1573	78905	Screw

Website - [www.bearingmach.com](http://www.bearingmach.com)

PARTS SUITABLE FOR  
**LAND ROVER SERIES 2a & 3**

PAGE  
**57**

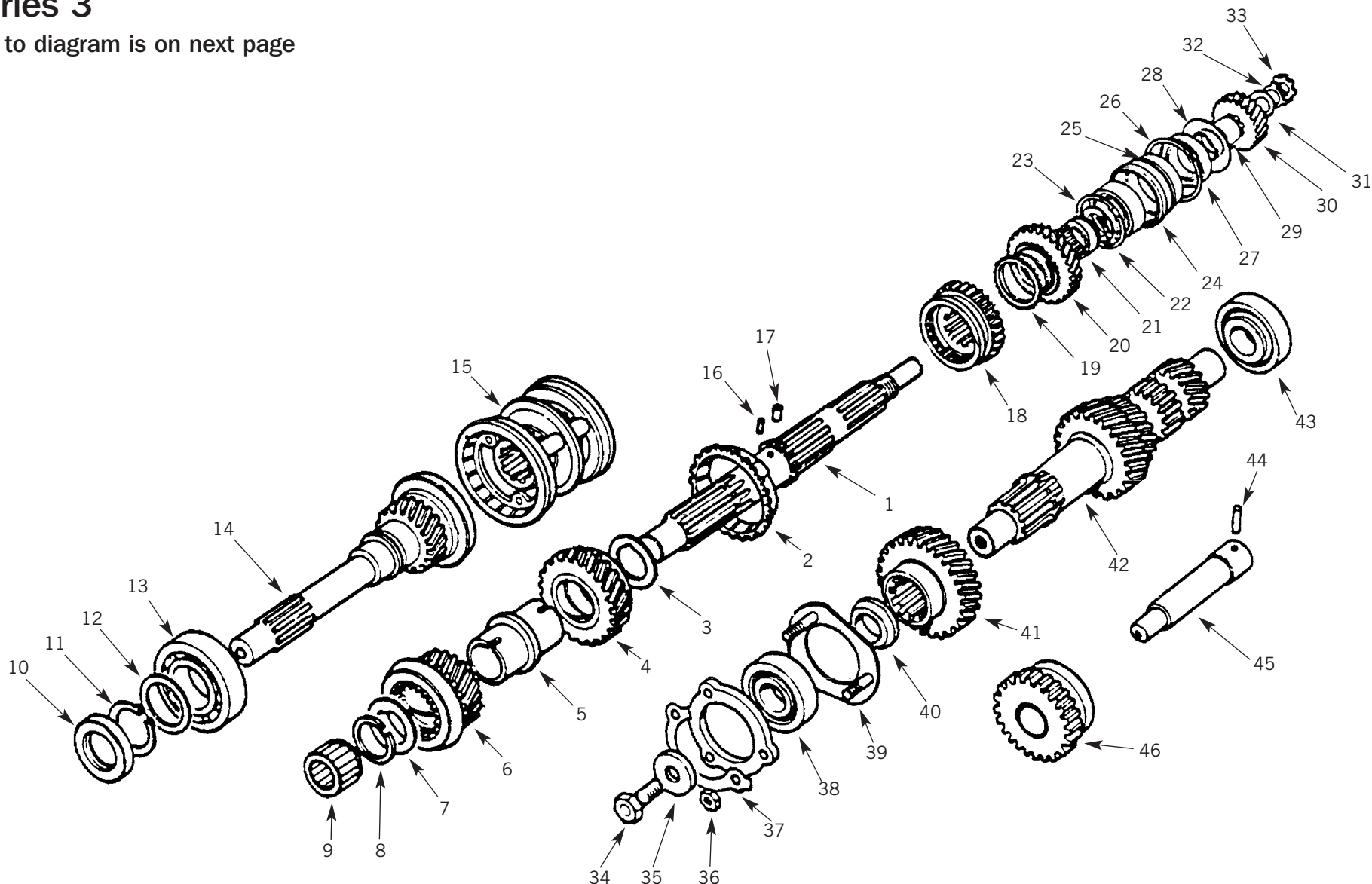
**QUICK REFERENCE**



# Main Gearbox

## Series 3

Key to diagram is on next page



Tel: +44 (0)29 20 856 550

Manufacturers' part numbers are used for reference purposes only

QUICK REFERENCE

PAGE  
**58**

PARTS SUITABLE FOR  
**LAND ROVER SERIES 2a & 3**



# Main Gearbox – Series 3

Key to diagram on previous page

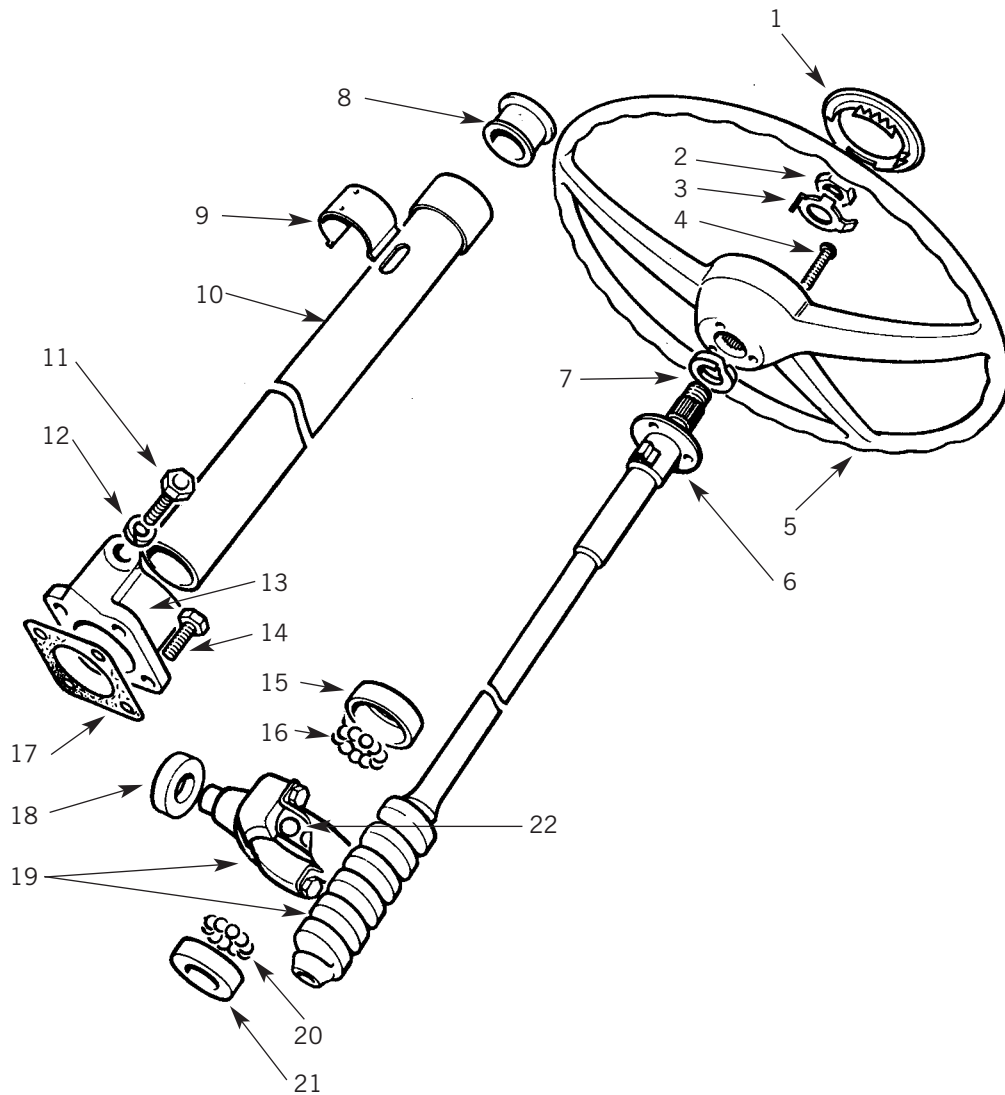
DRAWING REF	QUANTITY	BEARMACH REF	PART NUMBER	DESCRIPTION
1		BR 2280	576725	Main Gear Box Shaft
		576726	576726	Main Gear Box Shaft 1Ton
2		BR 2277	591364	Synchro Cone
3		BR 2040	267572	Thrust Washer 0.125"
		BR 2041	267573	Thrust Washer 0.128"
		BR 2042	267574	Thrust Washer 0.130"
		BR 2053	267575	Thrust Washer
4		BR 2293	591363	Gear 2nd Speed up to Suffix C
		BR 2293A	FRC2673	Gear 2nd Speed Suffix D on
5		BR 0096	FRC4076	Distance Sleeve Mainshaft
		BR 0097	FRC4077	Distance Sleeve Mainshaft
6		BR 0293A	556010	Gear 3rd Speed up to Suffix C
		BR 0293B	FRC8179	Gear 3rd Speed Suffix D on
7		BR 0360	RTC1962	Thrust Washer 0.125"
		BR 0361	50702	Thrust Washer 0.128"
		BR 0362	5073	Thrust Washer 0.130"
8		BR 0462	RTC1957	Spring Ring
9		BR 0454	6397	Bearing Needle Roller
		BR 0454G	6397G	Bearing Needle Roller OEM
10		BR 3008	571059	Oil Seal
		BR 3008G	571059G	Oil Seal OEM
11		BR 3377	214795	Circlip
12		BR 3450	594021	Shim Primary Pinion 2.00 mm
		BR 3448	594019	Shim Primary Pinion 2.10 mm
		BR 3447	594018	Shim Primary Pinion 2.15 mm
13		BR 0798	55714	Bearing Pinion
		BR 0798R	55714R	Bearing Pinion
14		BR 2290	606880	Primary Pinion & Constant Gear up to Suffix C
		BR 2290A	RTC2684	Primary Pinion Suffix D on
15		BR 1777	FRC1758	Synchro Clutch up to Suffix C
		BR 1776G	FRC6996G	Synchro Clutch Suffix D on OEM
16		BR 0027	6405	Peg Mainshaft
17		BR 0828	RTC1979	Peg Mainshaft
18		BR 2289	608283	In & Out Member Suffix A
		BR 2289A	RTC2195	In & Out Member Suffix B & C
		BR 2289B	RTC2685	In & Out Member Suffix D on
		BR 2289G	RTC2685	In & Out Member Suffix D on OEM
19		BR 2277	591364	Synchro Cone
20		BR 2292	591362	Gear 1st Speed up to Suffix B
		BR 2292G	591362G	Gear 1st Speed Suffix B OEM
		BR 0516	FRC2056	Gear 1st Speed up to Suffix C

DRAWING REF	QUANTITY	BEARMACH REF	PART NUMBER	DESCRIPTION
		BR 2292A	FRC3201	Gear 1st Speed Suffix D
21		BR 2272	576734	Bush
22		BR 3151	576735	Thrust Washer
23		BR 0725	9960	Circlip
24		BR 0820	1645	Bearing Mainshaft OEM
		BR 0820R	1645R	Bearing Mainshaft
25		BR 2131	FRC5115	Bearing Housing Main Casing
26		BR 0673	RTC1984	Circlip
27		BR 0463	236305	Oil Seal
		BR 0463G	236305G	Oil Seal OEM
28		BR 2096	232415	Oil Thrower
29		BR 1487	502482	Distance Piece
30		BR 0294	218244	Main Shaft Gear Transfer Box
31		BR 0674	501501	Shim
21		BR 0365	RTC7169	Lock Washer
33		BR 0851	217477	Mainshaft Nut
34		BR 0158	255068	Bolt
35		576907	576907	Washer
36	3	BR 1549	NT605061L	Nut - 5/16" UNF
37		BR 1227	528683	Lock Washer
38		BR 1579	528701	Bearing Cluster OEM
		BR 1579R	528701R	Bearing Cluster
39		528685	528685	Plate Support NLS
40		BR 3033	528720	Distance Piece 0.405"
		BR 2127	528721	Distance Piece 0.425"
		BR 3032	528722	Distance Piece 0.445"
41		BR 2290	606880	Primary Pinion & Constant Gear Suffix C
		BR 2290A	RTC2684	Primary Pinion & Constant Gear Suffix D on
42		BR 2288	576686	Gear Cluster Suffix A only
		BR 2288G	576686G	Gear Cluster Suffix A only OEM
		BR 2288A	FRC1691	Gear Cluster Suffix B only
		BR 0534	FRC2084	Gear Cluster Suffix C on
43		BR 0799	RTC1412	Layshaft Bearing OEM
		BR 0799R	RTC1412R	Layshaft Bearing
44		BR 2291	591519	Clevis Pin Gear box
45		BR 2276	519527	Reverse Gear Shaft Suffix A
		BR 2276A	FRC1813	Reverse Gear Shaft Suffix B
46		BR 2279	576707	Reverse Idler Gear Ser3 Suffix A
		BR 2279A	FRC1810	Reverse Idler Gear Suffix B On
47		BR 0132	561954	Reverse Idler Gear Bush Suffix A Type



B  
E  
A  
R  
M  
A  
C  
H

# Steering Column



DRAWING REF	BEARMACH REF	PART NUMBER	DESCRIPTION
1	NRC3411	NRC3411	Steering Cap Inset
2	552804	552804	Special Nut
3	BR 0883	3300	Washer
4	78664	78664	Steering Wheel Screw
5	NRC4346	NRC4346	Steering Wheel
6	589553	589553	Steering Shaft Striker Assembly
7	NRC3150	NRC3150	Spring Washer Upper Shaft
8	BR 2108	RTC324	Steering Upper Bearing
9	577472	577472	Steering Shaft Housing Dust Cover
10	594505	594505	Steering Shaft Outer Column
11	BR 0801	FS108251	Bolt Lower Column 5/16" UNC
12	BR 2068	WM600051L	Spring Washer
13	607971	607971	Steering Column Lower Tube Housing
14	SH506071L	SH506071L	Bolt Steering Column Tube Housing
15	BR 1829	271384	Ball Race Adjustable
16	BR 1247	BLS109L	Steel Ball Roller x 10
17	BR 1258	261857	Gasket Lower Housing Tube
18	BR 1259	261869	Roller For Main Nut
19	BR 3063	594506	Inner Column RH Steering
	BR 3064	594507	Inner Column LH Steering
20	BR 1247	BLS109L	Steel Ball Roller x 10
21	BR 1829	217384	Ball Race Adjustable
22	BR 0839	BLS112	Steel Ball Selector

QUICK REFERENCE

PAGE 60

PARTS SUITABLE FOR  
**LAND ROVER SERIES 2a & 3**

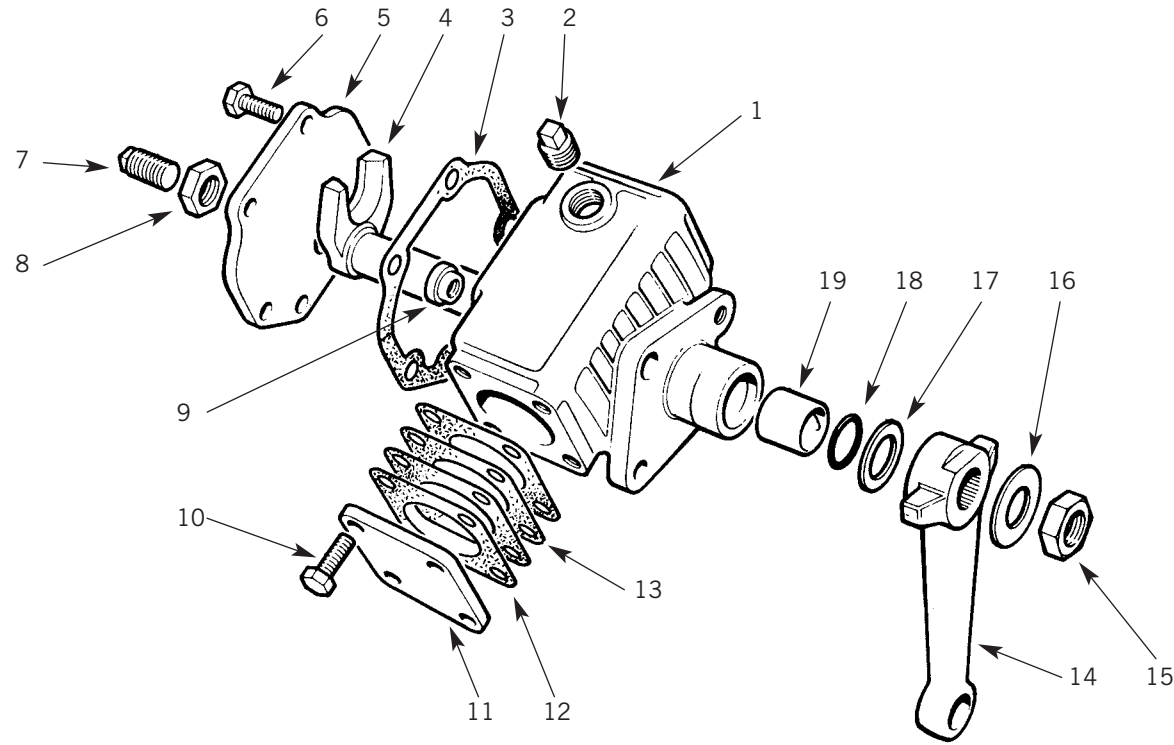
Tel: +44 (0)29 20 856 550





B  
E  
A  
R  
M  
A  
C  
H

# Steering Column Assembly



DRAWING REF	BEARMACH REF	PART NUMBER	DESCRIPTION
1	607965	607965	Housing Steering Box RH
	607966	607966	Housing Steering Box LH
2	271386	271386	Filler Plug
3	BR 1599	515849	Gasket Steering Box
4	BR 1346	NRC6037	Rocker Shaft
5	515848	515848	Steering Box Side Cover NLS
6	BR 0929	SH106451L	Special Bolt Side Cover
7	261873	261873	Adjusting Screw
8	261874	261874	Locknut
9	607968	607968	Bush Rocker Shaft
10	607992	607992	Bolt 5/16" x 0.7
11	605508	605508	End Plate Steering Box Housing

DRAWING REF	BEARMACH REF	PART NUMBER	DESCRIPTION
12	BR 1258	261857	Gasket End Plate x 2
13	271379	271379	Shim x 2 0.002"
	521522	521522	Shim x 2 0.005"
14	BR 1920	595123	Steering Box Drop Arm
15	BR 0443	254877	Nut Drop Arm
16	BR 0883	3300L	Lock Washer Drop Arm
17	BR 1557	271014	Plain Washer
18	BR 1256	271013	Oil Seal
19	BR 1256	261850	Bush Rocker Shaft
20	BR 2140	NRC5960	Steering Assembly RHD
21	BR 1795	NRC5961	Steering Assembly LHD
	BR 1922	551702	Steering Unit RHD
	BR 2241	551703	Steering Unit LHD

Website - [www.bearmach.com](http://www.bearmach.com)

PARTS SUITABLE FOR  
**LAND ROVER SERIES 2a & 3**

PAGE  
**61**

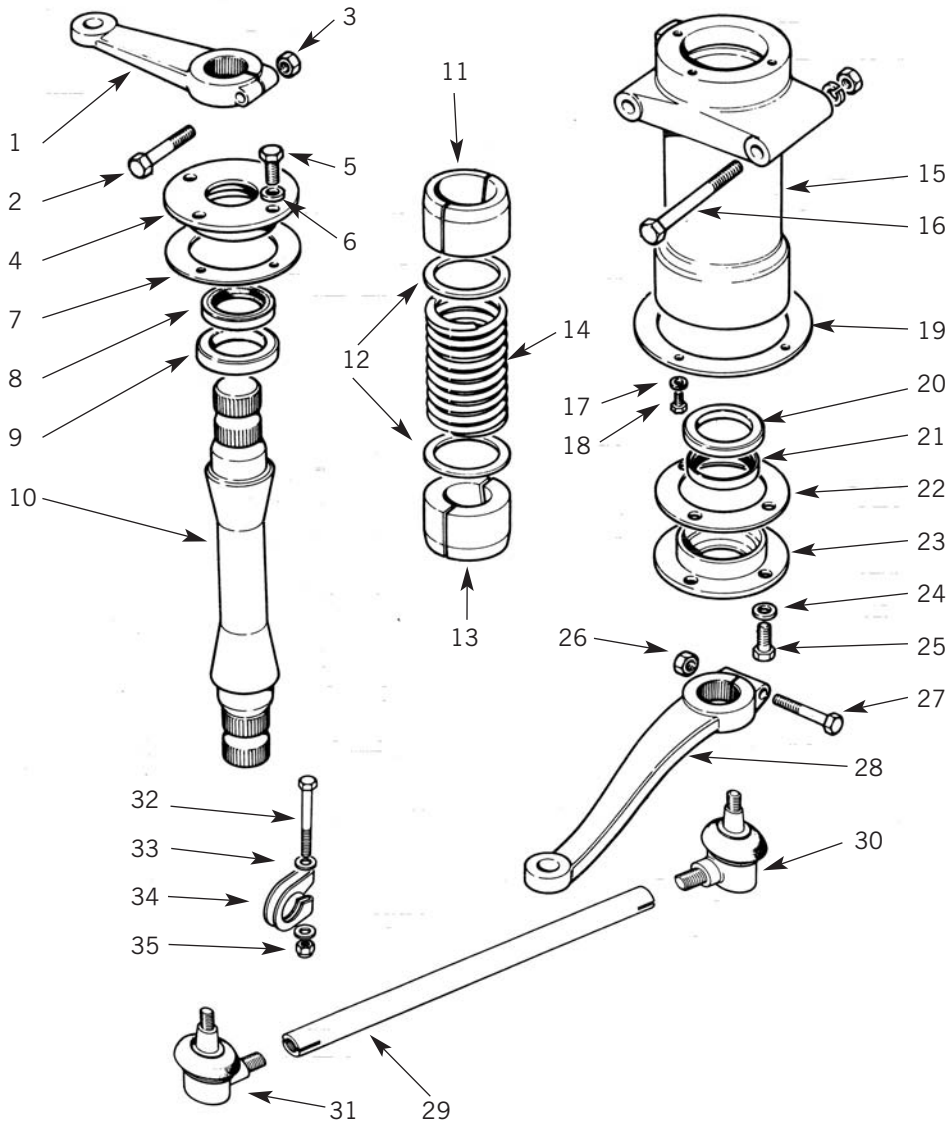
**QUICK REFERENCE**





# Steering Relay Assembly

BEARMACH



DRAWING REF	BEARMACH REF	PART NUMBER	DESCRIPTION
	BR 2022	NRC1269	Steering Relay Assembly
1	BR 1706	531040	Relay Lever Assembly Upper
2	BR 1195	256065	Bolt - 7/16" UNF x 2.1/4"
3	BR 1179	NY607041L	Lock Nut - 7/16" UNF
4	BR 0948	90624433	Steering Relay End Cap
5	BR 0077	544337	Bolt Relay End Cap x 4
6	RTC840	RTC840	Plain Washer
7	BR 0939	90624436	Gasket Relay End Cap
8	BR 0311	213340	Oil Seal Steering Relay
9	BR 0384	624434	Thrust Washer Steering Relay
10	BR 0696	562875	Steering Relay Shaft
11	BR 1603	537877	Split Bush For Relay Shaft x 2
12	BR 0945	230760	Washer
13	BR 1603	537877	Split Bush For Relay Shaft
14	BR 0565	230759	Steering Relay Spring
15	BR 0129	543972	Steering Relay Housing
16	BR 1951	BH110081L	Bolt - M10 x 40
17	BR 0444	255206	Bolt - 1/4" UNF x 5/8"
18	BR 0622	WM600041L	Spring Washer
19	217694	217694	Flange Steering Relay Housing
20	BR 0384	624434	Thrust Washer
21	BR 0311	213340	Oil Seal Steering Relay
22	BR 0948	90624436	Steering Relay End Cap
23	BR 0939	90624433	Gasket Bottom Steering Relay Housing
24	WA106041	WA106041	Plain Washer
25	BR 0077	544337	Bolt - Bottom Relay End Cap
26	BR 1179	NY607041L	Lock Nut - 7/16" UNF
27	BR 1195	256465	Bolt - 7/16" UNF x 2.1/4"
28	BR 0693	535286	Steering Relay Lever
29	BR 2048	276784	Steering Tube
	BR 1903	NRC142	Steering Tube
30	TRE 70R	608464	Track Rod End RH
	TRE 72R	RTC5867	Track Rod End RH
	TRE 72RG	RTC5867RG	Ball Joint Assembly RH LEMFORDER OEM
31	TRE 70L	320902	Track Rod End LH
	TRE 72L	RTC5868	Track Rod End LH
	TRE 72LG	RTC5868LG	Track Rod End LH OEM

Tel: +44 (0)29 20 856 550

Manufacturers' part numbers are used for reference purposes only

QUICK REFERENCE

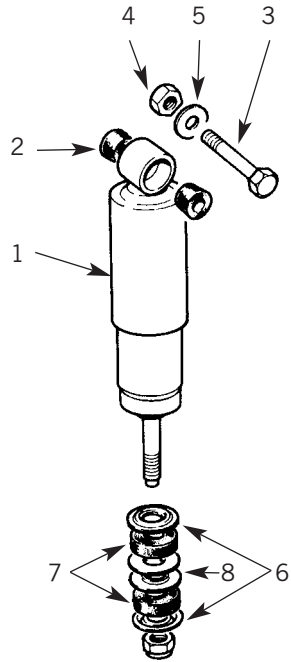
PAGE 62

PARTS SUITABLE FOR LAND ROVER SERIES 2a & 3

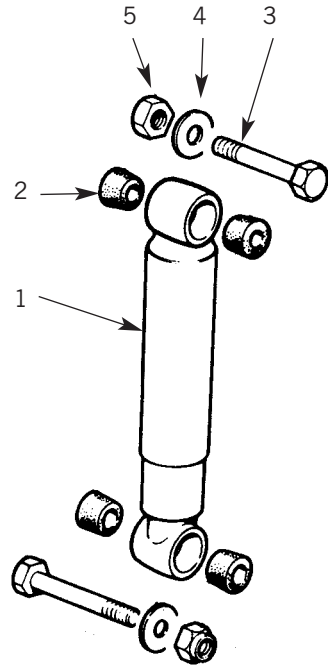


BEARING MACH

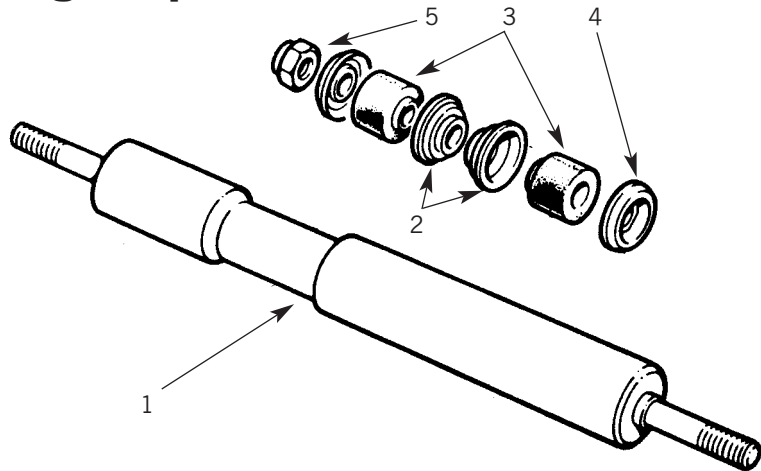
### Rear Shock Absorber



### Front Shock Absorber



### Steering Damper



DRAWING REF	QUANTITY	BEARMACH REF	PART NUMBER	DESCRIPTION
-------------	----------	--------------	-------------	-------------

#### REAR SHOCK ABSORBER

1		BR 1401	RTC4442	Shock Absorber Rear 109" WOODHEAD
		BR 1401A	RTC4442A	Shock Absorber Rear 109" ARMSTRONG
		BR 1401M	RTC4442M	Shock Absorber Rear 109" MONROE
		BR 1081M	RTC4235M	Shock Absorber Rear 109" Gas MONROE
		BR 1081	RTC4235	Shock Absorber H/Duty Rear 88" WOODHEAD
		BR 1079	RTC4232	Shock Absorber Rear 88"
		BR 1079A	RTC4232A	Shock Absorber Rear 88" ARMSTRONG
2	2	BR 1083	552819	Shock Absorber Bush Top and Bottom
3		BR 0434	253826	Bolt - 7/16" UNF x 7.1/4" Top and Bottom
4		BR 1179	NY607041L	Lock Nut - 7/16" UNF
5		BR 1082	243022	Plain Washer
6	2	BR 1440	500746	Washer - Shock Absorber
7	2	BR 0695	552818	Shock Absorber Bush
8	2	BR 1441	NRC4365	Washer - Shock Absorber

#### FRONT SHOCK ABSORBER

1		BR 1078	RTC4230	Shock Absorber Front 88" WOODHEAD
		BR 1078A	RTC4230A	Shock Absorber Front 88" ARMSTRONG
		BR 1486	RTC4484	Shock Absorber Front 109" WOODHEAD
		BR 1486A	RTC4484A	Shock Absorber Front 109" ARMSTRONG
		BR 1486M	RTC4484M	Shock Absorber Front 88" & 109" Gas Magnum MONROE
2		BR 1083	552819	Shock Absorber Bush
3		BR 0433	NRC7064	Bolt - 7/16" UNF x 6.1/2"
4		BR 1082	243022	Plain Washer
5		BR 1179	NY607041L	Lock Nut - 7/16" UNF

#### STEERING DAMPER

1		BR 2255	STC786	Steering Damper MONROE
		BR 2255B	STC786B	Steering Damper BILSTEIN
		BR 2255A	STC786A	Steering Damper ARMSTRONG
		BR 2255W	STC786W	Steering Damper WOODHEAD
2	2	BR 1485	543818	Washer
3	2	BR 1459	568858	Stem Rubber
4	2	BR 1492	ANR6942	Washer
5		BR 1552	NY606041L	Locknut - 3/8" UNF

Website - www.bearingmach.com

PARTS SUITABLE FOR  
**LAND ROVER SERIES 2a & 3**

PAGE  
**63**

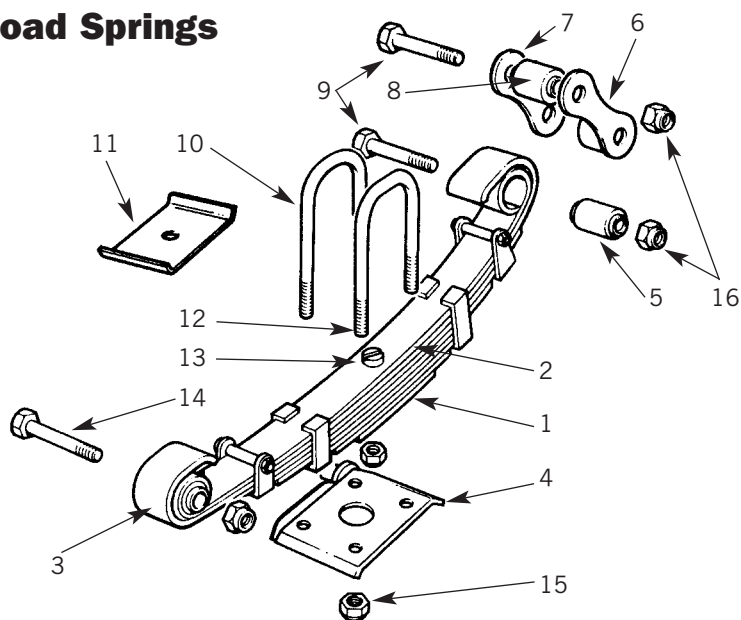
**QUICK REFERENCE**



BEAR MACH

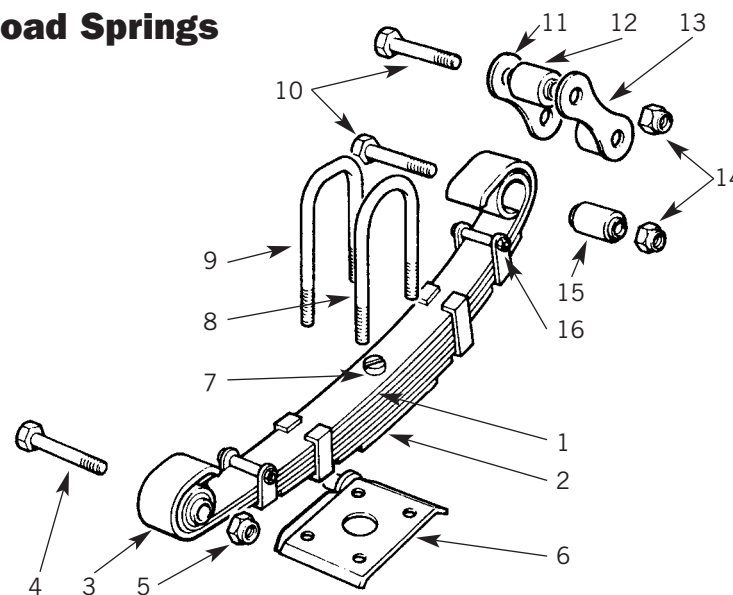
### Front Road Springs

88"



### Front Road Springs

109"



DRAWING REF	QUANTITY	BEARMACH REF	PART NUMBER	DESCRIPTION
1		BR 1052	241283	Front Spring RH 88" 9 Leaf
		BR 1076	242863	Front Spring LH 88" 9 Leaf
2		BR 0969	243121	Main Leaf Road Spring
3		BR 0702	243126	2nd Leaf Road Spring
4		BR 1810	624097	Bottom Plate Front LH
		BR 1811	624078	Bottom Plate Front RH
5	4	BSC 075	548205	Spring Bush
	4	BSC 075R	548205R	Spring Bush
	4	BSC 075G	548205G	Spring Bush
6		BR 0919	537687	Shackle Plate
7		BSC 082	270520	Shackle Plate
8		BSC 089	569746	Spring Bush Front 88"
9		BSC 112	537742	Shackle Pin Front 88" - 9/16" UNF
10	4	BSC 099	562637	'U' Bolt Front 88" up to Suffix C
11			NRC3472	Slipper Plate NLS
12		BSC 097	562641	'U' Bolt 88"
13		BR 0124	RTC1920	Centre Bolt Front Spring Dowel
14		BSC 111	537741	Shackle Pin Front Spring Rear
15	8	BR 0006	251323	'U' Bolt Lock Nuts
	2	BR 1426	NY112041L	'U' Bolt Nut
16		BR 0740	252165	Nyloc Nut For Shackle Pin - 9/16" UNF
		BA 2113		Front Parabolic Spring Height Increase 20mm

DRAWING REF	QUANTITY	BEARMACH REF	PART NUMBER	DESCRIPTION
1		BR 0698	265627	Front Spring RH 109" 11 Leaf
		BR 1301	264563	Front Spring LH 109" 11 Leaf
		BR 1382	276034	Front Spring LH 109" 11 Leaf
		BR 0698	265627	Front Spring RH 109" 11 Leaf
2		BR 0969	243121	Main Leaf Spring
3		BR 0702	243126	2nd Leaf Spring
4	2	BSC 111	537741	Shackle Pin Front Spring & Rear 109"
5	2	BR 0740	252165	Nyloc Nut - 9/16" UNF
6		BR 2104	624079	Bottom Plate Front LH
		BR 2105	624080	Bottom Plate Front RH
7		BR 0124	RTC0124	Centre Bolt Spring Dowel
		BR 0014	265461	Centre Bolt & Nut
8		BSC 098	543108	'U' Bolt Front 109" Up to Suffix C
		BR 1405	624028	'U' Bolt Front 109" Suffix D On
9		BR 1407	NRC3882	'U' Bolt Front 109" 1Ton 4 & 6 Cylinder
		BSC 100	569028	'U' Bolt Front 109" Up to Suffix C
10		BSC 112	537742	Shackle Pin
11		BR 3110	90577723	Shackle Plate 109"
12		BSC 204	90577434	Flexible Bush 109"
13		BR 3111	90577721	Shackle Plate
14		BR 0740	252165	Nyloc Nut - 9/16" UNF
15		BSC 075	548205	Spring Bush
16		BR 0735	NH406041L	Nut - 3/8" BSF
		BA 2113		Front Parabolic Spring Height Increase 20mm

Tel: +44 (0)29 20 856 550

Manufacturers' part numbers are used for reference purposes only

QUICK REFERENCE

PAGE 64

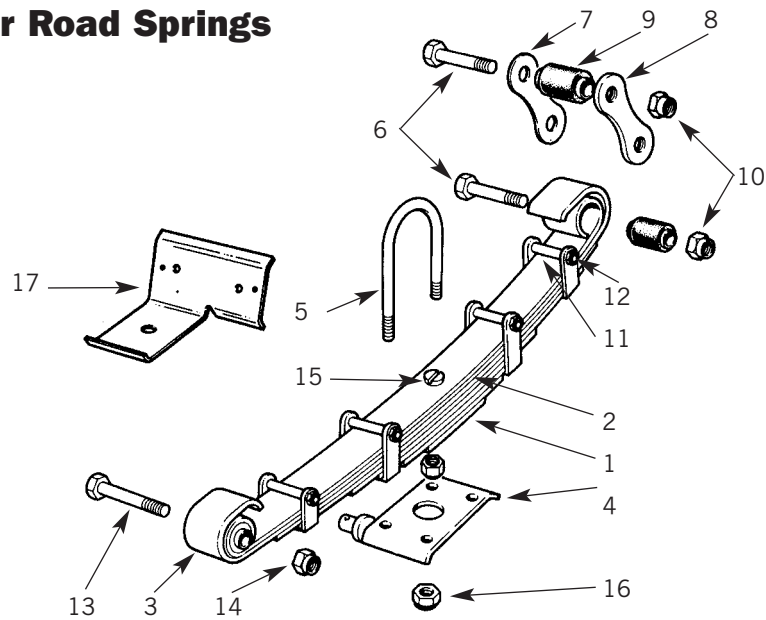
PARTS SUITABLE FOR LAND ROVER SERIES 2a & 3



BEARMACH

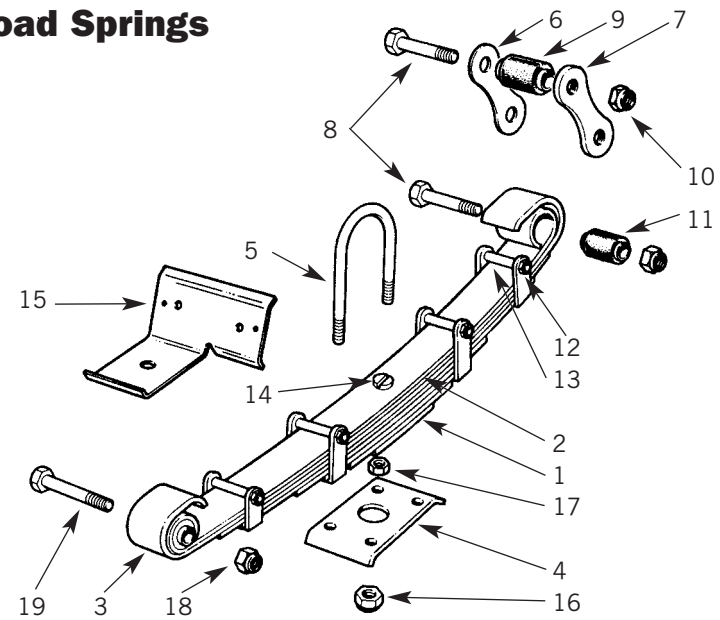
### Rear Road Springs

88"



### Rear Road Springs

109"



DRAWING REF	QUANTITY	BEARMACH REF	PART NUMBER	DESCRIPTION
1		BR 1605	517588	Rear Spring Assembly RH 88" 11 Leaf
		BR 1606	517589	Rear Spring Assembly LH 88" 11 Leaf
2		BR 1088	243123	Main Leaf - Road Spring
3		BR 1089	243124	2nd Leaf - Road Spring
4		BR 1808	90624083	Bottom Plate Rear LH
		BR 1809	624084	Bottom Plate Rear RH
5		BSC 105	531081	'U' Bolt Rear 88" Up to Suffix C
6		BSC 110	537740	Shackle Pin Rear 88"
7		BSC 086	244162	Shackle Plate Plain Rear
8		BR 0923	537686	Shackle Plate
		BR 0913	537685	Shackle Plate
9	4	BSC 075	548205	Spring Bush
10		BR 0740	252165	Nyloc Nut - 9/16" UNF
11		BR 0738	NH406041L	Nut - 3/8" BSF
12		BR 1195	256465	Bolt - 3/8" x 2.1/4" UNF
13		BSC 111	537741	Shackle Pin Rear
14		BR 0740	252165	Nyloc Nut - 9/16" UNF
15		BR 0125	RTC1921	Centre Bolt & Nut Rear Spring
		BR 0020	243130	Centre Bolt & Nut Rear Spring
16	8	BR 0006	251323	Lock Nut 'U' Bolt 7/16" BSF
17		NRC7314	NRC7314	Protection Plate RH
		NRC7315	NRC7315	Protection Plate LH
		BA 2114		Rear Parabolic Springs Height Increase 40mm

DRAWING REF	QUANTITY	BEARMACH REF	PART NUMBER	DESCRIPTION
1		BR 1428	279678	Rear Spring Assembly RH 109" 10 Leaf
2		BR 1465	501390	Main Leaf Spring
3	2	BR 1466	501391	2nd Leaf Spring
4	2	BR 1809	624084	Plate Support Spring LH RH Bottom
5	4	BR 3119	592182	'U' Bolt Rear 109" 1Ton
6	2	BSC 088	279970	Shackle Plain Plate
7	2	BR 0918	537685	Shackle Plate
8	4	BSC 110	537740	Shackle Pin Rear
9	2	BSC 075	548205	Spring Bush
10	4	BR 0740	252165	Nyloc Nut - 9/16" UNF
11	4	BSC 075	548205	Spring Bush
12	4	BR 0738	2827	Nut - 3/8" BSF
13		BR 1195	256465	Bolt - 3/8" BSF
14		BR 0125	RTC1921	Dowel Centre Bolt
		BR 0113	501389	Centre Bolt & Nut
15		NRC7314	NRC7314	Protection Plate RH
		NRC7315	NRC7315	Protection Plate LH
16		BR 1426	NY1120416	Nut 'U' Bolt - M12
17		BR 0317	NY110041L	Nut 'U' Bolt - M10
18		BR 0740	252165	Nyloc Nut - 9/16" UNF
19		BSC 111	537741	Shackle Pin Rear
		BA 2115		Rear Parabolic Springs Height Increase 30mm

Website - www.bearmach.com

PARTS SUITABLE FOR  
**LAND ROVER SERIES 2a & 3**

PAGE  
**65**

**QUICK REFERENCE**



# NUMERICAL LISTINGS SECTION

Thank you for choosing BEARMACH as your supplier for Land Rover parts. Whichever items you ultimately purchase, you can be assured of Quality & Service, due to our ongoing commitment to ISO 9002

To help you make the best use of this catalogue, please take a few moments to study the abbreviations of the terms used described on the following page.

The Numerical Listings are broken down into different areas of the vehicle and are easily indicated by the black thumb tabs down the side of the page.

	<b>PAGE</b>
<b>AXLE</b> .....	<b>70 ~ 72</b>
<b>BEARINGS (General)</b> .....	<b>73</b>
<b>BELTS</b> .....	<b>74</b>
<b>BODY (General)</b> .....	<b>75 ~ 76</b>
<b>BODY (Glass)</b> .....	<b>77</b>
<b>BODY (Panels)</b> .....	<b>78</b>
<b>BODY (Trim)</b> .....	<b>79</b>
<b>BRAKES (General)</b> .....	<b>80</b>
<b>BRAKES (Hydraulic)</b> .....	<b>81 ~ 82</b>
<b>CABLES</b> .....	<b>83</b>
<b>CHASSIS</b> .....	<b>84</b>
<b>CLUTCH</b> .....	<b>85</b>
<b>COOLING</b> .....	<b>86</b>
<b>DRIVELINE</b> .....	<b>87</b>

	<b>PAGE</b>
<b>ELECTRICAL</b> .....	<b>88 ~ 92</b>
<b>ENGINE (Bearings)</b> .....	<b>93 ~ 94</b>
<b>ENGINE (General)</b> .....	<b>95 ~ 98</b>
<b>EXHAUST</b> .....	<b>99</b>
<b>FASTENERS</b> .....	<b>100 ~ 103</b>
<b>FILTERS</b> .....	<b>104</b>
<b>FUEL SYSTEM</b> .....	<b>105 ~ 106</b>
<b>GASKETS</b> .....	<b>107 ~ 108</b>
<b>GEARBOX</b> .....	<b>109 ~ 111</b>
<b>OIL SEALS</b> .....	<b>112</b>
<b>STEERING</b> .....	<b>113</b>
<b>SUSPENSION (Bushes and Mountings)</b> ..	<b>114</b>
<b>SUSPENSION (Shock Absorbers)</b> .....	<b>115</b>
<b>SUSPENSION (Springs)</b> .....	<b>116</b>





# HOW TO USE THIS SECTION

Thank you for choosing BEARMACH as your supplier for Land Rover parts. Whichever items you ultimately purchase, you can be assured of Quality & Service, due to our ongoing commitment to ISO 9002

To help you make the best use of this catalogue, please take a few moments to study the abbreviations of the terms used.

## CATEGORY

On the left hand side of the page there are currently three categories A-B-C.

These indicate the following:

- A = BM parts supplied from OEM sources or manufactured to OEM specifications.
- B = Branded parts
- C = Land Rover parts

***How can categories help you choose the right part for you and your customer?***

If you wish to buy a clutch plate FRC2297, you have a choice of three.

Category A – FRC2297  
Description reads BM

Category B – FRC2297R  
Description reads QH brand

Category B – FRC2297G  
Description reads B+B brand  
(The G after the number shows that this brand is the OEM supplier)

## SUFFIX LETTERS

Indicated after the Rover or BM reference will inform you of:

- 1) **Choice of alternative product specification for the same part number:**
  - E = Reconditioned unit
  - N = New unit
  - P = Polyurethane part available as an alternative to rubber
  - S = Stainless steel part available as an alternative to mild steel
  - G = OEM supplier

eg: PRC6613E = RECON  
or PRC6613N = NEW

- 2) **Choice of different manufacturer for the same part number**

- A = Armstrong
- W = WOODHEAD (WEBER for carbs)
- G = OEM/Genuine part available as an alternative to the standard product
- L = Lockheed product available as an alternative to MINTEX/FERODO
- R = Replacement part available as an alternative to OEM

eg: RTC1730 = BM  
or RTC1730G = AE

- 3) **Right or Left hand (Accessories BA items and Track Rod ends only)**

- R = Right Hand – eg: TRE 72R
- L = Left Hand – eg: TRE 80L

## PLEASE NOTE

- 1) Note on Gearbox parts the letter A or B denotes a gearbox suffix change.
- 2) Note on Track Rod ends R & L indicate Right & Left
- 3) Where there is choice of Replacement or OEM then within the description the name of the OEM is stated. eg: PRC 2911 (LUCAS)
- 4) The weights in the right hand column have been included to help calculate freight charges when required.

## CHASSIS NUMBERS

Applies to Defender, Range Rover, Discovery, Freelander which indicate year of manufacture.

BA	=	1987
EA	=	1988
FA	=	1989
GA	=	1990
HA	=	1991
JA	=	1992
KA	=	1993
LA	=	1994
MA	=	1995
TA	=	1996
VA	=	1997
WA	=	1998
XA	=	1999
YA	=	2000
1	=	2001





# COMMENT UTILISER CE CATALOGUE

BEARMACH

Merci d'avoir choisi BEARMACH comme fournisseur des pièces LAND ROVER. Notre affiliation aux normes ISO 9002 vous assure l'Excellence en Qualité et Service pour tous les articles que vous commandez chez nous.

Pour une meilleure compréhension de notre catalogue veuillez noter les explications suivantes.

## CATEGORIE

Il existe actuellement trois catégories de produits, indiquées à gauche de la page dont voici leur version :-

A) = Les pièces en carton BM - des fabricants fournisseurs de BEARMACH fabriquées aux normes ISO 9002.

B) = Les pièces de fabricants du premier équipement autres que BM ou LAND ROVER

C) = produit fourni par LAND ROVER.

**Comment les catégories peuvent vous aider à sélectionner la pièce correcte pour vous et votre client?**

Par exemple, pour un disque d'embrayage vous avez le choix entre:

Catégorie A – FRC2297  
produit BM (BEARMACH)

Catégorie B – FRC2297R  
produit du premier équipement

Catégorie B – FRC2297G  
de LAND ROVER ou d'un fabricant du premier équipement.

## LETTRES DE SUFFIXE

Suite a la référence Rover ou BM, les lettres vous donnent les informations suivantes:

- Lorsqu'il y a un choix pour la même pièce:**  
E = Pièce remise à neuf  
N = Pièce neuve  
P = Pièce en polyuréthane disponible au lieu de caoutchouc  
S = Pièce disponible en acier inoxydable au lieu d'acier doux  
G = Galvanisé – *par exemple:* BA 2064G

*par exemple:* PRC6613E = REMISE A NEUF  
ou PRC6613N = NEUVE

- Choix parmi les fabricants pour la même référence:**

A = ARMSTRONG  
W = WOODHEAD (WEBER pour carburateur)  
G = LAND ROVER origine  
L = LOCKHEED (en remplacement de Mintex)  
R = pièce de remplacement (alternative à l'origine)

*eg:* RTC1730 = BM  
or RTC1730G = AE

- Pour les accessoires et les rotules de direction vous différenciez le côté Gauche par la lettre L et le cote Droit par la lettre R**

R = Droit *eg:* TRE 72R  
L = Gauche– *eg:* TRE 80L

## AUTRE INDICATIONS

- Sur les boîtes de vitesse la lettre A ou B représente un changement de suffixe.
- Sur les rotules de direction R côté droit et L côté gauche
- Lorsqu'il y a un choix de remplacement, le nom du fabricant est mentionné, par exemple PRC2911 (LUCAS)
- Les poids dans la colonne de droite sont une aide pour les frais de transport

## NUMEROS DE CHASSIS

Applicables aux Defender, Range Rover, Discovery, Freelander pour indiquer l'année de fabrication.

BA	=	1987
EA	=	1988
FA	=	1989
GA	=	1990
HA	=	1991
JA	=	1992
KA	=	1993
LA	=	1994
MA	=	1995
TA	=	1996
VA	=	1997
WA	=	1998
XA	=	1999
YA	=	2000
1	=	2001



# CÓMO UTILIZAR ESTE CATÁLOGO

BEARMACH

Le agradecemos haber seleccionado BEARMACH como su suministrador de las piezas Land Rover. Podemos asegurarle de la calidad y del servicio en la compra de cualquiera pieza, debido a nuestro compromiso a las normas de ISO 9002.

Para servirse bien de este catálogo, le rogamos tomar un tiempo breve estudiando las abreviaciones y los términos utilizados.

## CATEGORÍA

Al lado izquierdo de la página hay tres categorías – A-B-C. La significación es la siguiente:

A) = Las piezas en las cajas BM suministradas por los fabricantes de los productos alternativos o los productos fabricados bajo las normas de la especificación ISO 9002.

B) = Las piezas de marcas conocidas en las cajas del fabricante alternativo.

C) = Las piezas en las cajas LAND ROVER.

**Como las categorías pueden ayudarle a seleccionar la pieza correcta para su cliente:**

Si desea comprar un disco de embrague ref, FRC2297, hay una selección de tres:

Categoría A – FRC2297  
Descripción lee BM (BEARMACH)

Categoría B – FRC2297R  
Descripción lee QH (B = Marca conocida)

Categoría B – FRC2297G  
Descripción lee BB (Marca conocida o de Land Rover)

## LETTRAS DE SUFIJO

Después de la referencia Rover BM los sufijos indican lo siguiente:

### 1) Selección de las especificaciones alternativas para el mismo número de referencia:

E = Unidad reacondicionada

N = Unidad nueva

P = Parte poliuretán com alternativo a la goma

S = Parte en acero inoxidable como alternativo al acero dulce

G = Pieza galvanizada

por ejemplo: PRC6613E =  
REACONDICIONADO  
o PRC6613N = NEUVO

### 2) Selección de diferentes fabricantes de las piezas con el mismo número de referencia:

A = ARMSTRONG

W = WOODHEAD (WEBER para los carburadores)

G = Parte de marca conocida como alternativa al producto normal

L = Parte LOCKHEED disponible como alternativa a Mintex

R = Pieza de reemplazo disponible como alternativa a la parte del fabricante de marca.

eg: RTC1730 = BM  
or RTC1730G = AE

### 3) Mano derecha o mano izquierda (Accesorios BA y los terminales de las barras de dirección solamente.

R = Mano derecha – por ejemplo: TRE72R

L = Mano izquierda – por ejemplo:  
TRE80L

## TOME NOTA:

- 1) En la Cajas de Velocidades la letra A o B indica un cambio al sufijo de la caja.
- 2) El sufijo R o L indica mano derecha o mano izquierda en las barras de dirección.
- 3) Cuando hay la posibilidad de comprar o un reemplazo o una pieza de marca conocida, el nombre del fabricante se declara – *por ejemplo:* PRC2911 (LUCAS)
- 4) El peso de la pieza está en la columna a la derecha para ayudarle a calcular los costos de transporte.

## NUMEROS DE CHASIS

Applicables a Defender, Range Rover, Discovery, Freelander para indicas el año de fabricación.

BA	=	1987
EA	=	1988
FA	=	1989
GA	=	1990
HA	=	1991
JA	=	1992
KA	=	1993
LA	=	1994
MA	=	1995
TA	=	1996
VA	=	1997
WA	=	1998
XA	=	1999
YA	=	2000
1	=	2001



AXLE

Category	Rover No	BR No	Description	Unit Weight
A	3259	BR 0611	Nut - Drive Member	.034
A	3290	BR 0882	Drain Plug	.016
A	7297	BR 0660	Hub Retaining Collar	.150
A	7316	BR 0522	Joint Washer	.008
A	40756	BR 0424	Serrated Diff Nut	.164
C	215331	BR 0415	Bolt - 3/8" BSF x 1.19/32"	.030
B	217268	BR 0044	Bearing - Lower Swivel	.258
A	217352	BR 0046	Key Washer Differential	.024
A	217353	BR 0017	Hub Locker	.018
A	217361	BR 0613	Wheel Nut	.059
A	217453	BR 0379	Shim .005" Swivel Pin Bearing	.001
A	217454	BR 0380	Shim .010" Swivel Pin Bearing	.003
B	217455	BR 0381	Shim .030" Swivel Pin Bearing	.010
A	219098	BR 0610	Hub Cap	.078
A	219469	BR 0452	Thrust Washer - Transfer Box	.033
C	219547	BR 0729	Shim .003"	.004
C	219548	BR 0730	Shim .005"	.001
A	219549	BR 0731	Shim .010"	.001
A	230007	BR 0378	Shim .003"	.001
A	230439	BR 0375	Shim .005"	.001
A	230440	BR 0376	Shim .010"	.003
A	230858	BR 0603	Cone Seat	.000
A	231265	BR 0052	Axle Shaft Assembly - Obsolete	.000
A	231266	BR 0075	Axle Shaft Assembly - Obsolete	.000
A	231505	BR 0954	Joint Washer - Drive Member	.001
A	231601	BR 0956	Road Wheel for 88"	.000
A	232413	BR 0609	Joint Washer Swivel	.002
A	233677	BR 0732	Shim .020"	.002
A	233678	BR 0377	Shim - NLS after stock ends	.006
A	235592	BR 0034	Drain Plug	.072
A	235968	BR 0670	Retainer	.129
A	236070	236070	Drain Plug Swivel Housing	.000
A	236072	BR 2037	Mud Shield	.048
A	236541	BR 2038	Mud shield Retainer Assembly	.000
A	236632	BR 0630	Flange - Differential	.558
A	237357	BR 2268	Bolt - 7/16" BSF x 1.3/8"	.038
A	238553	BR 0602	Cone Bearing - Swivel Pin	.149
A	242520	BR 0405	Stub Shaft	1.574
A	242742	BR 0601	Spring	.044
A	244150	BR 1109	Bearing - Half Shaft	.404
A	244151	BR 1110	Distance Piece	.106

Category	Rover No	BR No	Description	Unit Weight
A	247766	BR 1117	Mud Excluder	.034
A	251322	BR 0521	Lock Nut 3/8" BSF	.010
A	261869	BR 1259	Roller	.018
A	266752	BKA 70	Swivel Pin Overhaul Kit	.000
A	269265	BR 1333	Halfshaft RH Front	4.932
A	269266	BR 1334	Halfshaft LH Front	6.720
A	270827	BR 0614	Locker	.006
A	272309	BR 0917	Road Wheel Use ANR4636PM	12.500
A	272922	BR 1833	Locker	.010
A	273441	BR 1834	Diff Case Assembly Use 594487	3.626
A	276719	BAS 15	Half Shaft	2.938
A	276720	BAS 14	Half Shaft	4.694
A	277289	BR 1403	Joint Washer	.002
A	277311	BR 0965	Locker Plate	.006
A	501501	BR 0674	Shim	.006
A	502482	BR 1487	Distance Piece	.228
A	509045P	BR 0686	Bolt - Propshaft	.022
A	515599	BR 0671	Washer - Copper	.002
C	515845	BR 2046	Breather Assembly for Axle	.049
C	530984	BR 1700	Shim .003	.001
C	530985	BR 1701	Shim .005	.001
A	530986	BR 1702	Shim .010	.002
B	530987	BR 1703	Shim .030	.008
B	530988	BR 1972	Steering - Lever RH	1.132
B	530989	BR 1973	Steering - Lever LH	1.132
A	531001	BR 1704	Lockwasher	.008
A	531005	BR 1977	Housing Assembly RH	4.308
A	531006	BR 1976	Housing Assembly LH	4.308
A	531433	BR 1979	O Ring	.028
A	532268	BR 1714	Swivel Pin Conversion Full Kit	.000
A	533579	BAS 18	Axle Shaft - Rear RH ENV Differential	3.866
A	533580	BAS 19	Axle Shaft - Rear LH ENV Differential	4.864
A	533777	BR 0308	Diff Pinion	.172
A	533786	BR 0653	Thrust Washer .040"	.003
A	533787	BR 0654	Thrust Washer .045"	.003
A	533788	BR 0655	Thrust Washer .050"	.004
A	533794	BR 0307	Diff Wheel	.454
A	534098	BR 0084	Locker	.008
A	537179	BR 0815	Wheel Brace Ser2 & Ser2a	1.620
A	539703	BR 1590	Differential Spindle	.182
A	539711	BR 1594	Shim .020"	.008



BEAR MACH

Website - www.bearmach.com

## AXLE

Category	Rover No	BR No	Description	Unit Weight
A	539713	BR 1746	Shim .022"	.008
A	539715	BR 1747	Shim .024"	.008
A	539717	BR 1307	Shim .030"	.010
A	539718	BR 1308	Shim .072"	.008
A	539720	BR 1748	Shim .074"	.007
A	539722	BR 1749	Shim .076"	.008
A	539724	BR 1309	Shim .081"	.008
B	539741	BR 0736	Swivel Pin Housing	3.500
B	539742	BR 1713	Railko Bush & Housing OEM	.0266
A	539742R	BR 1713R	Railko Bush & Housing	.0266
A	539745	BR 1991	Washer - Diff Pinion Bearing	.0091
A	539993	BR 2138	Driving Flange	1.008
B	549420	549420	Pinion Bearing ENV	.0386
A	549464	BR 3056	Locker Diffs ENV	.008
C	549475	BR 0633	Nut	.0068
A	553002	BR 0409	Propellor Shaft Rear	7.474
A	556445	BR 1125	Spirolox Ring	.001
C	556628	BR 1840	Distance Piece	.001
C	556633	BR 0056	Dished Washer	.004
A	561197	BR 0677	Shim	.004
A	561254	BR 2229	Wheel Nut	.042
A	561590	BR 2212	Wheel Stud Ser2a	.045
A	561886	BR 1421	Wheel Stud	.049
A	561889	BR 2156	Use 576844 Hub & Stud Assembly	.000
A	571235	BR 1934	Driving Member 10 Spline	1.106
A	571711	BR 2155	Driving Member 24 Spline	1.068
A	571821	BR 0675	Thrust Collar	.076
A	576103	BR 3066	Wheel Nut	.063
A	576583	BR 1983	Swivel Pin & Bracket	.0596
A	576767	BAS 20	Axle Shaft - Rear RH 24 Spline	3.646
A	576768	BAS 21	Axle Shaft - Rear LH 24 Spline	4.634
A	576777	BR 3077	Half Shaft - Front RH 24 Spline	5.118
A	576778	BR 3078	Half Shaft - Front LH 24 Spline	6.808
A	576790	BR 1898	Diff Assembly Ser2a	.000
A	576825	BR 3067	Wheel Stud	.065
A	576844	BR 2320	Hub & Stud Assembly Ser3	4.996
A	591378	BAS 12	Axle Shaft - Rear RH 10 Spline	3.100
A	591379	BAS 13	Axle Shaft - Rear LH 10 Spline	4.120
A	594484R	BR 1898R	Differential Assembly Ser3 Reconditioned	.000
A	594487	BR 1831	Differential Case Assembly	8.626
A	594493	BR 3376	Crown Wheel and Pinion	

Category	Rover No	BR No	Description	Unit Weight
A	599698	BR 0607	Stub Axle - Distance Piece	.080
A	599826	BR 0547	Stub Axle Use 599827	1.834
A	599827	BR 0547	Stub Axle Assembly	1.834
A	599828	BR 1835	Stub Axle Assembly Rear Hub	2.058
A	599945	BR 3498	Differential Cross Shaft	.0186
A	606435	BA 3039	Spanner - Hub Nut	.0746
B	607164	BR 1836	Differential Casing	.000
A	607185	BR 3538	Flange Differential Salisbury	.0866
A	608023	BR 3076	Stub Shaft	1.876
A	90217398	BR 0604	Collar	.0110
A	90513454	BR 1609	Special Washer	.0041
A	90577473	BR 3068	Wheel Nut	.0057
A	AEU1488	BR 2357	Crown Wheel & Pinion	8.220
B	AEU1829	AEU1829	Shaft RH	1.940
B	AEU1830	AEU1830	Shaft LH	2.200
B	AEU1997	AEU1997	CV Joint	.0614
A	ANR4636PM	BR 2240	Road Wheel	12.500
A	BA 014	BA 014	White 8 Spoke 15 x 7 L/R & R/R	10.500
A	BA 015	BA 015	White 8 Spoke 16.5 x 16 R/R & L/R	13.500
A	BA 016	BA 016	Locking Wheel Nuts Ser2a L/R	.0610
A	BA 017	BA 017	Chrome Nut Ser2a	.000
A	BA 018	BA 018	Chrome Wheel Nut	.0116
A	BK 0001	BK 0001	Wheel Bearing Kit Ser3 to 09/80	1.216
A	BK 0002	BK 0002	Wheel Bearing Kit late Ser3 90/110	.0828
A	BR 0544	BR 0544	Use FRC3132	2.046
A	BR 0612	BR 0612	Use BR 2212	.0045
A	CCN110L	BR 1927	Circlip	
A	FRC1193	BR 0373	Shim Pinion Bearing	.0028
A	FRC1644	BAS 06	Axle Shaft Rear RH 10/24 Spline	2.982
A	FRC1645	BAS 07	Axle Shaft Rear LH 10/24 Spline	3.888
A	FRC1942	BR 1986	Swivel Pin & Bracket V8 109"	.0584
A	FRC1996	BR 1987	Stub Axle V8 109"	.000
A	FRC2906	BR 1686	Thrust Washer	.0003
C	FRC2933	FRC2933	Case Differential	4.102
A	FRC3132	FRC3132	Stub Axle Rear	2.046
A	FRC3293	BR 3080	Diff Pinion	.0158
A	FRC3777	BR 3070	Diff Wheel	.0488
B	FRC3875	FRC3875	Hub Assembly	5.000
A	FRC4586	BR 0668	Oil Seal - Pinion	.0040
B	FRC4586G	BR 0668G	Oil Seal - Pinion ANGUS	.0040
A	FRC4907	BR 0404	Propellor Shaft 88"	5.860

PARTS SUITABLE FOR  
**LAND ROVER SERIES 2a & 3**

**AXLE**



**B  
E  
A  
R  
M  
A  
C  
H**

Category	Rover No	BR No	Description	Unit Weight
A	FRC7778	BR 1898S	Diff Assembly Ser3 NEW	.0.000
A	FRC8700	BR 0606	Hub Nut	.0.055
C	NRC5403	NRC5403	Tube Spacer	.0.016
A	NTC7829	BR 0814	Heavy Duty Wheel Brace	.1.198
A	STC851	BR 0309	Diff Pinion Set ( 4 Gear Set)	.0.000
A	RTC631	BR 0652	Spring Pin	.0.003
A	PS608101	BR 0869	Split Pin	.0.008
A	RTC1392	BR 3052	Crown Wheel & Pinion	.7.796
A	RTC1954	BR 0903	Pinion Shield	.0.016
A	RTC2635	BR 1607	Crownwheel & Pinion Use BR 1607	.5.392
A	RTC2990	BR 1607	Crown Wheel & Pinion	.5.392
A	RTC3346	BR 1741	Universal Joint Assembly	.0.500
A	RTC3534	BR 0319	Hub Bearing Kit	.0.922
A	RTC3537	BR 0407	Hub Bearing Kit 1980 on	.0.818
A	RTC4488	BR 0339	Diff Kit	.2.654
A	RTC4489	BR 0600	Diff Kit	.0.280
A	RTC5964	BUJ 7	Universal Joint Use RTC5964G	.0.448
B	RTC5964G	BUJ 7G	Universal Joint Use RTC5964G OEM	.0.448
A	RTC8162	BR 1272	Free Wheeling Hubs Ser2a 10 Spline	.2.648
A	RTC8163	BR 1273	Free Wheeling Hubs Ser3 24 Spline	.2.662
A	SERIESIII	BK 0003	Swivel Pin Kit (Top & Bottom)	.0.000
A	WM600061	WM600061L	Spring Pin	.0.004

Category	Rover No	BR No	Description	Unit Weight
----------	----------	-------	-------------	-------------



BEARMACH

Website – www.bearmach.com

## BEARINGS (GENERAL)

Category	Rover No	BR No	Description	Unit Weight
B	1645	BR 0820	Bearing - Mainshaft	.0462
A	6397	BR 0454	Bearing - Needle Roller Primary Pinion Steel	.076
B	6397G	BR 0454G	Bearing - Needle Roller Primary Pinion Nylon	.076
A	41045	BR 0796	Diff Bearing	.0508
B	55714	BR 0798	Bearing - Primary Shaft	.0454
B	100897	BR 0795	Roller Bearing Pinion	.0604
A	217268	BR 0044	Bearing- Swivel Housing	.0258
B	217268G	BR 0044G	Bearing- Swivel Housing OEM	.0258
B	217325	BR 0800	Bearing 99 - Output Shaft	.0290
A	217478	BR 0487	Bearing 99 - Mainshaft	.0053
A	217490	BR 0335	Bearing 99 - Output Shaft Rear	.0336
A	219466	BR 0451	Roller Bearing - Intermediate	.0162
B	219544	BR 0794	Bearing 99 - Pinion Inner	.0678
A	244150	BR 1109	Bearing 99 - Halfshaft	.0404
B	528701	BR 1579	Bearing - Layshaft	.0238
A	539706	BR 1649	Bearing 99 - Pinion	.0770
A	539707	BR 1633	Bearing 99 - Pinion	.0404
A	549457	BR 1219	Bearing - Differential Case	.0720
C	571062	BR 3390	Bearing - Needle Roller Mainshaft Outer	.0060
C	571187	BR 3402	Bearing - Needle Roller Mainshaft	.0074
B	576207	BR 0334	Bearing - Layshaft	.0000
A	593619	BR 3454	Bearing - Primary Shaft V8	.0780
A	594290	BR 3455	Bearing - Needle Roller Intermediate Shaft	.0096
A	594291	BR 3456	Bearing - Needle Roller 1st Speed Mainshaft	.0028
A	594292	BR 3457	Bearing - Needle Roller 3rd Speed Mainshaft	.0025
B	594389	BR 3458	Bearing - Roller Reverse Idler	.0035
A	599869	BR 1640	Bearing - Needle Roller Transfer Box	.0311

Category	Rover No	BR No	Description	Unit Weight
A	605062	BR 2222	Bearing - Ball Sealed Dynamo	.0090
B	606474	BR 3187	Bearing - Output Shaft OEM	.0432
A	606474R	BR 3187R	Bearing - Output Shaft BM	.0432
B	607180	BR 3087	Bearing - Pinion Diff Inner	.0910
B	607181	BR 3088	Bearing - Pinion Diff Outer	.0500
A	607187	BR 3089	Bearing - Diff Cage	.0666
A	90217512	BR 0791	Bearing 99 - Roller Speedo Drive	.0504
A	90605057	BR 2221	Bearing - Ball Dynamo	.0030
A	55714	BR 0798	Bearing - Primary Shaft	.0454
B	FRC1812	BR 3529	Bearing - Roller Reverse Gear	.0043
B	FRC5564	BR 0484	Bearing - Mainshaft Transfer OEM	.0384
A	FRC5564R	BR 0484R	Bearing - Mainshaft Transfer BM	.0384
A	GHB161	BR 0013	Bearing - Rear Hub Ser1	.0488
B	RTC1412	BR 0799	Bearing - Layshaft OEM	.0138
A	RTC1412R	BR 0799R	Bearing - Layshaft	.0138
B	RTC2726	BR 1644	Bearing - Diff Crown Wheel Carrier OEM	.0340
A	RTC2726R	BR 1644R	Bearing - Diff Crown Wheel Carrier BM	.0340
A	RTC3095	BR 0086	Bearing - Differential	.0138
A	RTC324	BR 2108	Bearing 99 - Upper Steering Column	.0031
B	RTC3416	BR 0304	Bearing - Inner Wheel to 09/80 OEM	.0506
A	RTC3416R	BR 0304R	Bearing - Inner Wheel to 09/80	.0506
B	RTC3426	BR 0305	Bearing - Outer Wheel to 09/80 OEM	.0342
A	RTC3426R	BR 0305R	Bearing - Outer Wheel to 09/80	.0342
B	RTC3429	BR 3141	Bearing - Hub OEM	.0372
A	RTC3429R	BR 3141R	Bearing - Hub	.0372
A	RTC3534	BR 0319	Hub Bearing Kit	.0922
A	RTC3537	BR 0407	Hub Bearing Kit 1980 ON	.0818

PARTS SUITABLE FOR  
**LAND ROVER SERIES 2a & 3**





B  
E  
A  
R  
M  
A  
C  
H

**BELTS**

Category	Rover No	BR No	Description	Unit Weight
A	563132	R 001	Fan Belt	.076
A	587468	R 710	Fan Belt	.170
A	613602	R 777	Fan Belt	.096
A	RTC3310	BR 2283	Fan Belt 6 Cylinder	.000

Category	Rover No	BR No	Description	Unit Weight
----------	----------	-------	-------------	-------------



**BODY (GENERAL)**

Category	Rover No	BR No	Description	Unit Weight
A	142001	BR 1794	Headlamp Rim	.0132
C	232813	BR 2094	Control Knob	.0050
C	272714	BR 0277	Pedal & Bush	.0018
A	278166	BR 1135	Pedal Rubber - Brake & Clutch	.0126
A	300824	300824	Bonnet Rest Strip	.0012
A	301437	BR 2077	Rubber Seal	.0100
A	302177	BR 0742	Weather Strip	.0554
A	302178	BR 0748	Filler Strip	.0124
A	302532	BR 1178	Captive Nut	.0002
A	303975	BR 2185	Door Seal	.0204
A	304125	304125	Buffer Rubber Seat	
A	304235	BR 0746	Weather Strip	.0668
A	304236	BR 0749	Filler Strip	.0148
A	306287	BR 0743	Weather Strip	.0300
A	306289	BR 0747	Filler Strip	.0070
A	307977	BR 1433	Door Handle RH - NLS after stock ends	.0122
A	307978	BR 1434	Door Handle LH - NLS after stock ends	.0122
C	320045	BR 0139	Floor Pan Screw	.0164
A	320590	BR 0204	Mud Flaps Rear LAND ROVER	2.342
A	320601	BR 1015	Mud Flaps Front LAND ROVER	.0000
C	320604	320604	Tailboard	12.500
A	320609	BR 2109	Barrel Lock	.0194
A	320611	BR 2246	Door Lock	1.000
A	320612	BR 2175	Door Lock	1.102
A	330113	BR 1435	Door Handle & Bracket RH	.0414
A	330114	BR 1436	Door Handle & Bracket LH	.0414
B	330163	BR 1527	Door Seal	.0118
C	330203	330203	Cover Plate	.0040
A	330326	330326	Sill Panel	.0826
A	330327	330327	Sill Panel	.0556
A	330347	BR 2079	Handbrake Grommet Early Type	.0130
A	330426	BR 1868	Wing Panel RH	1.940
A	330427	BR 1869	Wing Panel LH	1.940
A	330437	BR 2190	Front Panel LH	.0730
A	330621	BR 2194	Seal Rubber	.0000
A	330660	BR 2195	Seal Rubber	.0020
A	330661	330661	Channel	.0036
B	330790	330790	Glass Seal	.0373
B	330791	330791	Glass Seal	.0084
A	330953	BR 1263	Door Hinge - Pin	.0000
A	330954	BR 1264	Door Hinge - Bush	.0014

Category	Rover No	BR No	Description	Unit Weight
A	330955	BR 1265	Door Hinge - Spring	.0003
A	330956	BR 1266	Door Hinge - Lockwasher	.0001
A	332000	BR 1103	Hard Top 88"	.0000
C	332325	332325	Window Catch	.0042
A	332400	BR 1887	Bonnet Striker Catch Plate	.0118
A	332401	BR 1857	Bonnet Catch	.0388
A	332435	BR 3057	Window Catch	.0050
B	332563	BR 1515	Sealing Rubber Rear S.W. Door	.0244
B	332564	BR 1517	Sealing Rubber Rear S.W. Door	.0244
B	333036	BR 1115	Door Hinge Rear S.W. Door	.0572
A	333080	BR 1879	Lock Cover	.0144
B	333229	333229	Seal Door	.0264
A	333233	BR 1518	Door Seal - Rear	.0124
A	333253	BR 0131	Corner Cap RH	.0310
A	333254	BR 0116	Corner Cap LH	.0310
A	333261	BR 1519	Door Seal - Rear	.0084
A	336451	BR 1880	Window Channel	.0118
A	336454	BR 1882	Window Channel	.0080
A	337789	BR 2114	Door Lock Assembly - Rear With Key	.0930
A	337801	BR 2115	Door Lock Assembly - RH With Key	.0876
A	337802	BR 2113	Door Lock Assembly - LH With Key	.0876
A	337963	BR 2200	Bonnet Str. H Front Ser2	10.000
A	338871	BR 1855	Transfer Gear Lever Seal	.0098
A	345433	BR 1757	Door Lock Assembly - RH Without Key	.0694
A	345434	BR 1758	Door Lock Assembly - LH Without Key	.0694
A	345435	BR 1453	Button for Door Lock RH	.0078
A	345436	BR 1452	Button for Door Lock LH	.0078
A	345623	BR 1904	Front Panel RH Ser3	.0628
A	345624	BR 1905	Front Panel LH Ser3	.0628
B	345631	BR 1878	Headlamp Bezel Plate	.0098
A	346339	BR 1858	Door Hinge RH Upper	.0462
A	346340	BR 1859	Door Hinge LH Upper	.0452
C	346341	BR 1860	Door Hinge RH Lower	.0354
A	346342	BR 1861	Door Hinge LH Lower	.0362
A	346849	BR 0560	Bush for Bonnet Hinge	.0005
C	346944	346944	Cowl	.0456
A	347322	347322	Window Catch	.0009
A	347369	347369	Washer	.0003
A	347474	BR 0933	Wing Panel RH with Air Hole	1.500
A	347475	BR 0934	Wing Panel LH with Air Hole	1.500
A	347488	BR 1881	Window Channel	.0156



**B  
E  
A  
R  
M  
A  
C  
H**

**Tel: +44 (0)29 20 856 550**

**BODY (GENERAL)**

Category	Rover No	BR No	Description	Unit Weight
A	347489	BR 1782	Window Channel	.0.150
A	348393	BR 2080	Window Channel Use BR 2073	.0.026
A	348394	BR 2073	Window Channel	.0.026
A	348395	BR 1900	Window Channel	.0.063
A	348396	BR 2072	Window Channel	.0.202
C	390396	390396	Catch	.0.032
C	390722	390722	Channel	.0.096
C	390738	390738	Handle	.0.112
C	390739	390739	Handle	.0.112
C	393136	393136	Grommet	.0.114
A	395014	BR 0984	Wing & Valance Assembly RH	.3.872
B	395037	395037	Door Lock RH	.1.218
B	395038	395038	Door Lock LH	.1.218
B	395598	BR 2197R	Sealing Rubber - RH Lower Door	.0.212
B	395599	BR 2197L	Sealing Rubber - LH Lower Door	.0.212
A	395652	BR 2111	Door Lock Assembly - RH With Button	.0.828
A	395653	BR 2112	Door Lock Assembly - LH With Button	.0.828
B	395670	BR 1874	Sealing Rubber - Back RH Door	.0.154
B	395671	BR 1875	Sealing Rubber - Back LH Door	.0.156
B	395672	BR 1872	Sealing Rubber - Front Door Top	.0.148
A	395673	BR 2078	Sealing Rubber - Top of Door Top	.0.172
B	395674	BR 1871	Sealing Rubber - Back Door Top	.0.170
A	504697	504697	Locking Hasp	.0.000
B	509463	BR 1012	Accelerator Pedal Rubber	.0.050
C	605934	BR 1455	Rear Step Kit	.3.616
A	607252	BR 1062	Rivet	.0.001
A	90545150	BR 1368	Head Lamp Rim Use BE 2038	.0.126
C	90606002	BR 1456	Side Step Kit	.4.314
A	AK616011	AK616011	Spire Nut	.0.007
A	ALR4651	ALR4651	Striker Rear Lock all models	.0.582
A	ALR4652	ALR4652	Striker Front Lock all models	.0.582
B	ALR4936	BR 1037	Door Seal - RH Front one piece	.0.908
B	ALR4937	BR 1038	Door Seal - LH Front one piece	.0.914
B	ALR4938	BR 1046	Door Seal - RH Rear one piece	.0.976
B	ALR4939	BR 1047	Door Seal - LH Rear one piece	.0.948
C	ALR5058	BR 2196	Windscreen Seal	.0.062
A	BA 133	BA 133	Wheel Carrier	.4.671
A	BA 180	BA 180	Window Kit - Hard Top Side	.0.000
A	BA 181	BA 181	Window Kit - Hard Top Sliding	.0.000
A	BA 182	BA 182	Window Kit - Hard Top Side	.0.000
A	BA 182A	BA 182A	Window Kit - Hard Top Sliding	.11.500

Category	Rover No	BR No	Description	Unit Weight
A	BR 1268	BR 1268	Use BR 2202 Bonnet Striker Pin	.0.176
A	BR 1365	BR 1365	Hinge Pin Kit	.0.037
A	BR 2367	BR 2367	Door Rubber Section - Per Metre	.0.181
B	BR 3536	BR 3536	Sealing Rubber	.0.000
A	LENGTH	BR 2365	Window Channel - 2 Metre Lengths	.0.418
A	MRC2479	BR 2200A	Deluxe Bonnet	.0.000
A	MRC2595	BR 0985	Wing & Valance Assembly LH	.3.872
A	MRC316	BR 1645	Wire Lamp Guard Rear	.0.344
B	MRC4583	BR 1086	Mirror Arm	.0.456
B	MRC5740	BR 1876	Sealing Rubber Bottom of Door	.0.258
B	MRC5741	BR 1877	Sealing Rubber Bottom of Door	.0.236
A	MRC6532	BR 2202	Bonnet Striker Pin Assembly	.0.176
B	MRC6977	MRC6977	Catch - Bonnet	.0.390
B	MRC9397	MRC9397	Door Seal	.0.236
A	MTC4195	BR 2110	Door Striker Plate	.0.146
A	MTC5382	BR 1862	Side Glass RH Front	.8.000
A	MTC5383	BR 2313	Side Glass LH Front	.8.000
A	MTC5404	BR 1070	Hard Top 109"	.0.000
A	MTC5410	MTC5410	Upper Body side Assembly	.6.500
A	MTC5411	MTC5411	Panel Body side	.6.500
A	MTC9917	BR 1716	Rear Door	.17.500
C	MUC4299	BR 2169	Vent Seal Ser3	.0.138
A	MUC8740	BR 1127	Hinge - Tailboard	.0.408
A	MUC8741	BR 1128	Hinge - Tailboard	.0.408
A	MWC8966	MWC8966	Upper Body side Assembly	.7.000
A	MWC8967	MWC8967	Upper Body side Assembly	.7.000
C	MXC8282	BR 1122	Door Hinge Assembly RH	.0.584
C	MXC8283	BR 1170	Door Hinge Assembly LH	.0.584
C	MXC8284	BR 0192	Door Hinge Assembly RH	.0.560
C	MXC8285	BR 0193	Door Hinge Assembly LH	.0.560
A	PRC7992	BE 2038	Head Lamp Rim	.0.126



**B  
E  
A  
R  
I  
N  
G  
M  
A  
C  
H**

Website – [www.bearingmach.com](http://www.bearingmach.com)

**BODY (GLASS)**

Category	Rover No	BR No	Description	Unit Weight
B	262658	BR 1291	Mirror Arm	.0.208
A	337643	BR 3388	Windscreen Complete Ser2a	.14.000
A	337644	BR 1854	Glass - Windscreen Toughened	.0.000
B	345585	BR 0970	Interior Mirror up to 11/77	.0.145
B	345599	BR 0991	Mirror Head	.0.192
C	348428	BR 0943	Heated Front Windscreen	.3.724
B	562912	BR 0997	Mirror - Complete with Arm	.0.392
B	606187	BR 1432	Mirror - Head Round	.0.154
A	BA 071	BA 071	Mirror - Standard 7 x 5	.0.300
A	BA 072	BA 072	Mirror - Head Plain 10 x 7	.0.540
A	BA 073	BA 073	Mirror - Split View	.0.574
A	BR 1678	BR 1678	Use BR 0970	.0.145
A	CZK9845L	BR 1203	Mirror - Interior From 12/77	.0.000
B	MRC2457	BR 0996	Mirror Assembly	.0.000

Category	Rover No	BR No	Description	Unit Weight
B	MRC55	BR 0995	Mirror Assembly	.0.000
B	MRC56	BR 0994	Mirror Arm Door Mounted	.0.308
A	MRC6491	BR 1717H	Station Wagon Rear Door HRW	.4.568
C	MRC6499	BR 1856	Roof Side Light	.1.264
B	MRC8276	BR 1092	Mirror Head	.0.440
A	MRC9505H	BR 2203H	Glass - Windscreen Laminated & Heated	.3.500
A	MTC3469	BR 1717	Glass - Rear Station Wagon Door	.4.498
A	MTC3476	BR 0473	Glass - Rear Window	.0.644
A	MTC5304	BR 1863	Glass - Fixed Side Screen	.0.000
A	MTC5305	BR 2189	Glass - Sliding Side Screen	.1.500
A	MTC5312	BR 0474	Glass - Side 109"	.0.000
A	MTC5313	BR 0475	Glass - Side 88"	.2.474
A	MTC5314	BR 0978	Glass - Rear Sliding	.2.468
A	MTC5318	BR 2203	Glass - Windscreen Laminated	.3.500

PARTS SUITABLE FOR  
**LAND ROVER SERIES 2a & 3**



**B  
E  
A  
R  
M  
A  
C  
H**

**Tel: +44 (0)29 20 856 550**

**BODY (PANELS)**

Category	Rover No	BR No	Description	Unit Weight
C	276954	BR 1014	Gaiter Kit for BR 0736	.0.266
A	320857	BR 0863	Safari Side Door RH	.6.500
A	330426	BR 1868	Wing Panel RH Use STC8296	.1.940
A	330427	BR 1869	Wing Panel LH	.1.940
A	330445	BR 0279	Mud Shield Ser2a	.0.970
A	330448	BR 0280	Mud Shield Ser2a	.0.970
A	330459	BR 2177	Cover Box	.0.400
A	330460	330460	Cover Box	.0.400
A	333253	BR 0131	Corner Cap RH	.0.525
A	333254	BR 0116	Corner Cap LH	.0.522
A	333262	BR 1528	Rear Door Seal	.0.038
B	337290	337290	Tailboard Seal	.0.116
A	337938	BR 3347	Sill Panel	.0.074
A	337939	BR 3348	Sill Panel	.0.082
A	337942	BR 3157	Sill Panel	.0.440
A	337943	BR 3158	Sill Panel	.0.440
A	338780	BR 2071	Handbrake Seal Late Ser3	.0.146
A	345620	BR 1727	Light Panel Ser3 Front RH	.0.302
A	345621	BR 1728	Light Panel Ser3 Front LH	.0.302
A	345623	BR 1904	Front Panel Assembly Ser3 RH	.0.628
A	345624	BR 1905	Front Panel Assembly Ser3 LH	.0.628
A	345631	BR 1878	Headlamp Bezel Plate	.0.098
A	346346	BR 0546	Front Grille Ser3	.0.690
A	347018	BR 3166	Sill Panel RH Rear	.0.234
A	347019	BR 3167	Sill Panel LH Rear	.0.234
A	347474	BR 0933	Wing Panel RH With Air Hole	.1.500
A	347492	BR 1862R	Side Screen RH Without Glass	.2.406
A	347493	BR 2313R	Side Screen LH Without Glass	.2.406
A	347955	347955	Radiator Support	.8.500
C	390248	390248	Glaze Strip	.0.364
A	395529	BR 1883R	Door Assembly - Front RH Basic	.6.814
A	395530	BR 2199R	Door Assembly - Front LH Basic	.6.814
B	396113	396113	Sealing Rubber	.0.284
A	552174	BR 1885	Fuel Tank - Petrol up to Suffix B	.15.000
A	552175	BR 1335	Fuel Tank - Diesel up to Suffix B	.12.500
A	577414	577414	Crossmember	.4.440
A	599233	BR 1023	Fuel Tank - Petrol 109" Suffix C on	.22.000

Category	Rover No	BR No	Description	Unit Weight
A	599234	BR 1024	Fuel Tank - Diesel 109" Suffix C on	.22.000
C	90577299	BR 0242	Heater Valve	.0.186
B	ALR4929	BR 1036	Rear Door Seal	.0.918
A	BA 2010L	BA 2010L	Door Skin - Front LH	.1.420
A	BA 2010R	BA 2010R	Door Skin - Front RH	.1.420
A	BA 2011	BA 2011	LandRover Door Pillar RH	.1.440
A	BA 2012	BA 2012	LandRover Door Pillar LH	.1.440
A	BR 1716A	BR 1716A	Door Skin - Rear	.1.400
A	MRC4121	MRC4121	Light Weight Door RH	.6.464
A	MRC4122	MRC4122	Light Weight Door LH	.6.464
A	MRC6081	BR 1477	Mud Shield Ser3 RH	.1.190
A	MRC6082	BR 1478	Mud Shield Ser3 LH	.1.448
C	MRC6083	MRC6083	Mud Shield RH	.1.402
C	MRC6084	MRC6084	Mud Shield RH	.1.402
A	MTC4327	BR 0184	1/4 Panel RH	.1.174
A	MTC4328	BR 0188	1/4 Panel LH	.1.130
A	MTC5381	BR 0864	Safari Side Door LH	.6.500
A	MTC5382	BR 1862	Side Screen Assembly with glass RH Front	.8.000
A	MTC5383	BR 2313	Side Screen Assembly with glass LH Front	.8.000
A	MTC5390	BR 1118	Side Panel RH 88" - plain	.0.000
A	MTC5391	BR 1139	Side Panel LH 88" - plain	.0.000
A	MTC7980	BR 0340	Quarter Panel RH	.1.114
A	MTC7981	BR 0343	Quarter Panel LH	.1.114
A	MTC9917	BR 1716	Rear Station Wagon Door	.17.500
C	MUC8716	BR 0808	Corner Cap RH	.0.550
C	MUC8717	BR 0809	Corner Cap LH	.0.550
A	NRC5829	BR 1352	Fuel Tank Diesel SW up to Suffix B	.21.000
A	NRC5830	BR 1884	Fuel Tank Petrol SW up to Suffix B	.20.500
A	RTC6223	BR 1935	Side Skin Rear 88" RH	.0.000
A	RTC6224	BR 1936	Side Skin Rear 88" LH	.0.000
A	RTC6248R	BR 1716R	Rear Door Skin	.0.095
A	STC613	BR 1350	Fuel Tank - Auxiliary	.15.000
A	STC8294	BR 1868	Wing Panel RH	.1.940
A	STC8295	BR 0934	Wing Panel LH With Air Hole	.1.500
A	STC835	BR 0984	Wing & Valance Assembly RH	.3.872
A	STC836	BR 0985	Wing & Valance Assembly LH	.3.872



**BODY (TRIM)**

Category	Rover No	BR No	Description	Unit Weight
A	304087	BR 0254	Hood - Khaki With Windows 80"	.6.944
A	304173	BR 3009	Hood - Full Khaki With Windows 86"	.8.616
A	320674	320674	Cushion	.3.374
A	320699	BR 1692	Seat Cushion	.2.680
A	320703	BR 0957	Back Rest For Individual Rear Seat	.2.706
A	320709	BR 1074	Squab Passenger Front Black Std	.2.506
A	320719	BR 1580	Seat Cushion	.1.614
A	320726	BR 1090	Cushion Centre Front Black Std	.2.014
A	320737	BR 1696	Rear Bench Seat Assembly	.7.204
A	330982	BR 0221	Hood - Full Blue 88"	.7.204
A	330983	330983	Hood Comp Blue	.0.000
A	330984	330984	Hood - Full Blue 109"	.7.500
A	330985	330985	Hood - Full Blue With Windows 109"	.9.500
A	330986	BR 0219	Hood - 3/4 Blue 88"	.5.624
A	330997	330997	Hood - 3/4 Blue 109"	.7.500
A	331392	BR 0792	Rubber Mat LAND ROVER	.2.134
A	331393	BR 0793	Rubber Mat LAND ROVER	.1.808
A	349515	BR 0958	Cushion Assembly Rear Bench Seat	.2.200
A	349967	BR 1091	Cushion Outer Front Black Std	.2.432
A	331110ABE	331110AE	Hood Assembly	.7.000
A	331110AG	BR 0210	Hood - Full No Windows Khaki 88"	.7.204
A	331113ABE	331113AE	Hood - Full Sand With Windows 88"	.7.000
A	331113AG	BR 0207	Hood - Full Khaki With Windows 88"	.7.000
A	331259ABE	331259AE	Hood - Full Sand 109"	.9.000
A	331259AG	BR 0222	Hood - Full Khaki 109"	.7.000
A	331260AE	331260AE	Hood - Full Sand With Windows 109"	.9.500
A	331260AG	BR 0224	Hood - Complete With Windows Khaki 109"	.0.000
A	331307AE	331307AE	Hood - 3/4 Sand No Windows 109"	.6.728
A	331307AG	331307AG	Hood - 3/4 Khaki 109"	.7.500
A	331307AG	BR 0190	Hood - 3/4 Khaki 109"	.7.884
A	331308AE	331308AE	Hood - 3/4 Sand With Windows 109"	.6.728
A	331308AG	BR 0245	Hood - 3/4 Khaki With Windows 109"	.0.000
A	331371AG	BR 0212	Hood - 3/4 Khaki 88"	.0.000
A	331372AE	331372AE	Hood - 3/4 Sand With Windows 88"	.6.174
A	331372AG	BR 0208	Hood - 3/4 Khaki With Windows 88"	.6.224
B	391113AE	391113AE	Hood - Full Sand With Windows 88"	.7.000
A	750X16	BA 042P	Wheel Cover - Plain	.0.708
A	BA 027	BA 027	Radiator Muff - Ser2a	.0.698
A	BA 027A	BA 027A	Radiator Muff - Ser2 & early Ser2a	.0.632

Category	Rover No	BR No	Description	Unit Weight
A	BA 028	BA 028	Radiator Muff - Ser3	.0.678
A	BA 042/A	BA 042/A	Spare Wheel Cover 205 x 16	.0.644
A	BA 042AP	BA 042AP	Spare Wheel Cover 205 x 16	.0.620
A	BA 044	BA 044	Rear Door Trim - Station Wagon	.1.672
A	BA 045	BA 045	Silent Trim Kit	.7.408
A	BA 049	BA049	Door Trim Kit for 2 Doors	.7.274
A	BA 050	BA 050	Tunnel Carpet 88"/109 Black L/R	.0.624
A	BA 060	BA 060	Rear Mat Black L/R	.2.472
A	BA 061	BA 061	Rear Mat Black L/R	.2.500
A	BA 189	BA 189	Centre Console L/R	.5.470
A	BA 2002	BA 2002	Carpet Set 7 Piece Ser3	.2.786
A	BA 2004	BA 2004	Radiator Muff 109"/110 L/R	.0.874
A	BA 2009	BA 2009	Sound Proof Felt 54" x 2m	.2.920
A	BA 2049	BA 2049	Roof Lining 88" LAND ROVER	.2.618
A	BA 2050	BA 2050	Roof Lining 109" LAND ROVER	.1.750
A	BA 2077	BA 2077	Seat - Hi Back Vinyl Ser2a & Ser3	.4.824
A	BA 2078	BA 2078	Seat - Hi Back Caviar	.4.820
A	BA 2079	BA 2079	Seat - Hi Back Brushwood	.8.380
A	BA 2080	BA 2080	Rear Seat - Forward Facing Vinyl	.8.908
A	BA 2081	BA 2081	Rear Seat - Forward Face Caviar	.9.364
A	BA 2082	BA 2082	Rear Seat - Forward Facing Brushwood	.0.000
A	BA 2082A	BA 2082A	Rear Seat - Forward Facing Grey RH	.9.792
A	BA 2082B	BA 2082B	Rear Seat - Forward Facing Grey LH	.9.918
A	BA 2092	BA 2092	Rear Seat - Individual Moorland	.7.394
A	BA 2093	BA 2093	Rear Seat - Individual Vinyl	.7.314
A	BR1696G	BR 1696G	Rear Seat - Bench Grey Vinyl	.7.204
A	BR 1696M	BR 1696M	Rear Seat - Bench Moorland Tweed	.7.204
A	MRC6980	BR 1698	Cushion - Outer Front Black Deluxe	.3.350
A	MRC6982	BR 1699	Squab - Outer Front Black Deluxe	.3.330
A	MRC6985	BR 1690	Cushion - Centre Front Black Deluxe	.2.870
A	MTC3181	BR 1689	Squab - Centre Front Black Deluxe	.2.846
B	331401	331401	Mat Rubber Rear 88"	.6.632
A	MUC1488	BR 1075	Squab - Centre Front Black Standard	.2.140
A	MUC1520	BR 1073	Squab - Driver Front Black Standard	.2.200
A	MWC4549	BR 1066	Seat Base - Vinyl Black Outer	.3.200
A	MXC6407	BA 042	Spare Wheel Cover 750 x 16T L/R	.0.774
A	MXC6408	BA 041	Spare Wheel Cover 600 x 16T L/R	.0.550





**B  
E  
A  
R  
M  
A  
C  
H**

**Tel: +44 (0)29 20 856 550**

**BRAKES (GENERAL)**

Category	Rover No	BR No	Description	Unit Weight
A	42318	BR 0508	Brake Shoe Spring Rear 109"	.048
A	50235	BR 0323	Brake Catch	.000
A	59663	BR 0331	Return Spring	.024
A	213601	BR 0786	Pawl Spring - NLS after stock end	.000
A	215808	BR 2010	Fork End Assembly	.038
A	215809	BR 0326	Clevis End Assembly	.026
A	218983	BR 0505	Brake Shoe Spring	.020
B	219007	BR 0925	Brake Lining	.186
A	219023	BR 0328	Brake Shoe Spring Use 42318	.044
A	219723	BR 0503	Brake Shoe Spring	.034
A	234889	BR 0507	Brake Shoe Spring Front 109"	.056
A	242905	BR 0509	Brake Shoe Spring Rear 109"	.038
A	246565	BR 1801	Anchor Plate LH Front 109"	1.650
A	246566	BR 1802	Anchor Plate RH Front 109"	1.650
A	264806	BR 0501	Spring	.005
A	269783	BR 1825	Distance Piece	.045
A	274423	BR 1842	Brake Drum - Transmission	3.684
C	275199	BR 0327	Clevis End	.028
A	503981	BR 0506	Brake Shoe Spring	.020
A	515366	BR 0628	Expander Unit - Transmission Brake	.0340
A	515405	BR 0910	Anchor PLate RH 88"	1.614
A	515406	BR 0911	Anchor PLate LH 88"	1.614
A	515466	BR 1940	Dust Cover For Expander Unit	.020
A	515467	BR 1941	Lock Plate	.009
B	515468	BR 2017	Spring	.012
A	515923	BR 1234	Overhaul Kit	.016
B	515924	BR 1235	Adjuster Rep. Kit	.010
A	516599	BR 1601	Brake Drum 11" Ser2a	8.524
A	531888	BR 1982	Anchor Plate LH Rear 109"	2.018
A	531889	BR 1981	Anchor Plate RH Rear 109"	2.018
A	531893	BR 0510	Brake Shoe Spring 109" Rear	.034
A	536803	BR 0337	Clevis Pin	.008
A	546026	BR 2142	Ratchet Assembly	.056

Category	Rover No	BR No	Description	Unit Weight
A	548169	BR 0511	Brake Shoe Spring 109" Rear	.046
A	556508	BR 2008	Bleed Screw for Wheel Cylinder	.011
C	562481	562481	Clevis Pin	.002
A	568883	BR 2153	Trunnion	.054
A	569701	BR 2154	Spring	.052
A	576973	BR 1601S	Brake Drum 11" Ser3	8.524
A	576974	BR 1602	Brake Drum 11" 2.6 & V8	7.650
C	577137	BR 1460	Pivot Pin	.124
A	591039	BR 0636S	Brake Drum 10" Ser3	6.518
A	591661	BR 0636	Brake Drum 10" Ser2a	6.518
B	18G8951L	BR 0248	Servo Brake Repair Kit	.042
B	18G8953L	18G8953L	Valve Repair Kit	.042
A	AAU8469	BR 2304	Brake Lining 2.6 Axle Set	.0732
B	AAU8471	BR 1331	Linings - Set of 4 With Rivets	.0550
A	AAU9942	BR 1514	Linings - Set of 4 With Rivets	.0330
A	BR 1166	BR 1166	Use 556508 Bleed Screw	.011
A	BR 1531	BR 1531	Use AAU9942 Brake Linings & Rivets	.0330
A	FRC8549	BR 0330	Pull Off Spring	.032
A	RTC207	BR 0251	Brake Shoe Screw for BR 1775	.005
B	RTC2959	BR 1745	Brake lining 10 Hole	.0240
B	RTC2960	BR 0385	Brake Lining 8 Hole	.0214
A	RTC3176	BA 144	Brake Adjuster Kit (Anchor Plate)	.0332
A	RTC3404	BR 1774	Brake Shoe Pairs Handbrake	1.058
B	RTC3404G	BR 1774G	Brake Shoe Pairs Handbrake AP	1.058
A	RTC3417	BR 1767	Brake Shoes - Axle Set of 4 Front 109"	3.434
B	RTC3417G	BR 1767G	Brake Shoes - Axle Set of 4 Front 109" AP	3.434
A	RTC3424	BR 2335	Brake Shoes - Axle Set of 4 Rear 2.6	4.396
B	RTC3424G	BR 2335G	Brake Shoes - Axle Set of 4 Rear 2.6 AP	4.396
B	STC2795	BR 1332	Brake Linings - Set of 4 With Rivets	.0452
A	STC2796	BR 1775	Brake Shoes - Axle Set of 4 88"	2.462
B	STC2796G	BR 1775G	Brake Shoes - Axle Set of 4 88" AP	2.462
A	STC359	BR 1768	Brake Shoes - Axle Set of 4 Rear 109"	3.750
B	STC359	BR 1768G	Brake Shoes - Axle Set of 4 Rear 109" MINTEX	3.750



**BRAKES (HYDRAULIC)**

Category	Rover No	BR No	Description	Unit Weight
A	219824	BR 0512	Brake Hose	.0096
B	241687	BR 1061	Brake - Master Cylinder	.0000
A	241690	BR 3037	4 Way Ad. - NLS	.0000
A	243296	BR 1096	Brake - Wheel Cylinder RH Front 88" /Rear 109"	.0556
B	243296G	BR 1096G	Brake - Wheel Cyl RH Front 88" /Rear 109" GIRLING	.0556
A	243297	BR 1095	Brake - Wheel Cylinder LH Front 88" /Rear 109"	.0556
B	243297G	BR 1095G	Brake - Wheel Cyl LH Front 88" /Rear 109" GIRLING	.0556
A	243302	BR 1098	Brake - Wheel Cylinder RH Rear 88"	.0460
B	243302G	BR 1098G	Brake - Wheel Cylinder RH Rear 88" GIRLING	.0460
A	243303	BR 1099	Brake - Wheel Cylinder LH Rear 88"	.0458
B	243303G	BR 1099G	Brake - Wheel Cylinder LH Rear 88" GIRLING	.0458
A	243743	BR 1101	Brake - Wheel Cylinder LH Front 109"	.0350
B	243743G	BR 1101G	Brake - Wheel Cylinder LH Front 109" GIRLING	.0350
A	243744	BR 1102	Brake - Wheel Cylinder RH Front 109"	.0350
B	243744G	BR 1102G	Brake - Wheel Cylinder RH Front 109" GIRLING	.0350
A	266683	BCK 28	Brake Cylinder Repair Kit	.0018
A	266684	BCK 27	Brake Cylinder Overhaul Axle Set	.0050
A	266687	BCK 33	Brake Cylinder Overhaul Axle Set	.0032
B	266687G	BCK 33G	Brake Cylinder Overhaul Axle Set GIRLING	.0050
A	275744	BCK 32	Brake Cylinder Overhaul Axle Set	.0060
A	277922	BR 0634	Brake Pipe	.0186
A	277923	BR 0635	Brake Pipe	.0082
A	279418	BR 0527	Brake Pipe	.0130
A	279452	BR 0529	Brake Pipe	.0178
A	502334	BR 1419	Brake Wheel Cylinder Kit NLS	.0000
A	503754	BCK 26	Brake Master Cylinder Overhaul Kit CB type	.0014
A	504105	BR 2179	Brake Fluid Tank	.0508
A	508148	BR 1274	Brake Pipe	.0080
A	510823	BR 1041	Brake Pipe	.0170
A	512838	BR 1275	Brake Pipe	.0126
A	520849	BR 1635	Brake Master Cylinder CB type Ser1 & Ser2	.1178
A	521543	BR 1156	Brake Wheel Cylinder NLS	.0000
A	521544	BR 1157	Brake Wheel Cylinder NLS	.0000
A	523164	BCK 29	Brake Wheel Cylinder Repair Kit	.0040
A	537763	BR 0763	Brake Pipe	.0036
A	550732	BR 3018	Brake Master Cylinder	.0502
B	550732G	BR 3018G	Brake Master Cylinder GIRLING	.0502
A	551652	BR 0715	Brake Pipe	.0064
A	564706	BR 1430	Brake Master Cylinder CB type Ser2a	.1478
A	564786	BR 1018	Brake Pipe	.0080
A	565466	BR 1042	Brake Pipe	.0170

Category	Rover No	BR No	Description	Unit Weight
B	569128G	BR 2227G	Brake Master Cyl 109" & 88" July 80 on GIRLING	.1000
A	569339	BR 3022	Brake Master Cylinder 109" With Servo	.1194
B	569339G	BR 3022G	Brake Master Cylinder 109" With Servo GIRLING	.1194
A	569671	BR 0726A	Brake Master Cylinder For 88"	.1628
B	569671G	BR0726AG	Brake Master Cylinder For 88" GIRLING	.1628
A	570091	570091	Brake Pipe	.0136
A	574948	574948	Spacer	.0018
A	577665	577665	Brake Pipe - Master Cylinder	.0028
A	577673	BR 1049	Brake Pipe	.0080
A	577677	BR 1051	Brake Pipe	.0080
A	577679	BR 2193	Brake Pipe - Jump Hose	.0033
A	577681	BR 0517	Brake Hose - Front	.0090
A	577694	BR 2187	Brake Pipe - Master Cylinder	.0090
A	577695	BR 2188	Brake Pipe - Master Cylinder	.0174
A	592364	BR 0768	Brake Pipe - Front Assembly	.0104
A	592374	BR 0638	Brake Pipe - Rear LH	.0088
A	594619	BR 2192	Brake Pipe - Rear	.0198
A	594776	BR 2191	Bleed Pipe	.0042
A	600200	BR 2274	Brake - Wheel Cylinder LH Front 2.6	.0600
B	600200G	BR 2274G	Brake - Wheel Cylinder LH Front 2.6 GIRLING	.0600
A	600201	BR 2275	Brake - Wheel Cylinder RH Front 2.6	.0600
B	600201G	BR 2275G	Brake - Wheel Cylinder RH Front 2.6 GIRLING	.0600
A	600210	BCK 60	Brake Cylinder Overhaul Kit	.0038
A	605127	BCK 61	Brake Master Cylinder Overhaul Kit CV type	.0014
A	606415	BR 2296	Brake Master Cylinder Overhaul Kit 2.6	.0012
B	606415G	BR 2296G	Brake Master Cylinder Overhaul Kit 2.6 GIRLING	.0022
A	90569126	BR 2226	Brake Master Cylinder 88" up to June 80	.0352
B	90569126G	BR 2226G	Brake GIRLING	.0352
A	90569128	BR 2227	Brake Master Cylinder 109" & 88" July 80 on	.1000
A	90577165	BR 1025	Brake Pipe	.0076
A	90577520	BR 0726	Brake Master Cylinder	.1722
B	90577520G	BR 0726G	Brake Master Cylinder GIRLING	.1722
B	90577636	90577636	Brake Fluid Tank Reservoir	.0122
A	90606023	BCK 62	Brake Master Cylinder Overhaul Kit CV type	.0006
B	90606422	90606422	Overhaul Kit	.0026
B	37H6134L	BR 2047	Brake Adjuster Unit	.0124
B	8G8837G	BCK 64G	Brake/Clutch Master Overhaul Kit GIRLING	.0038
A	8G8837L	BCK 64	Brake/Clutch Master Overhaul Kit	.0012
B	AEU1045	AEU1045	Reservoir Kit	.0190
A	AEU1047	BR 0283	Repair Kit	.0018
B	AEU1367	AEU1367	Retention Kit	.0032



**B  
E  
A  
R  
M  
A  
C  
H**

**BRAKES (HYDRAULIC)**

Category	Rover No	BR No	Description	Unit Weight
		BTB657L	Tee Piece	
A	NRC1356	NRC1356	Brake Pipe - Rear RH	.076
A	NRC1357	NRC1357	Brake Pipe - Rear LH	.094
A	NRC1358	BR 0639	Brake Pipe - Rear RH	.058
A	NRC3287	BR 1087	Brake Pipe - Front Wheel	.098
A	NRC4068	NRC4068	Brake Pipe - Tee Piece to RH	.000
A	NRC4069	NRC4069	Brake Pipe - Tee Piece to LH	.000
A	NRC4070	NRC4070	Brake Pipe	.200
A	NRC4071	NRC4071	Brake Pipe	.100
A	NRC4075	NRC4075	Brake Pipe	.000
A	NRC4076	NRC4076	Brake Pipe	.000
C	NRC4251	NRC4251	Tee Piece	.056
A	NRC4254	NRC4254	Brake Pipe	.080
A	NRC4256	BR 0081	Brake Pipe Metric System	.034
A	NRC4257	BR 0542	Brake Pipe Metric System	.035
A	NRC4258	BR 1564	Brake Pipe Metric System	.050
A	NRC4259	BR 0249	Brake Pipe Metric System	.088
A	NRC4260	BR 0767	Brake Pipe Metric System	.126
A	NRC4263	BR 1296	Brake Pipe Metric System	.056
A	NRC4264	BR 0264	Brake Pipe Metric System	.088
A	NRC4266	BR 0196	Brake Pipe Metric system	.088
A	NRC4268	BR 0148	Brake Pipe Metric System	.074
A	NRC4269	BR 0549	Brake Pipe Metric System	.084
A	NRC4272	NRC4272	Brake Pipe	.000

Category	Rover No	BR No	Description	Unit Weight
A	NRC4278	NRC4278	Brake Pipe	.190
A	NRC4279	NRC4279	Brake Pipe	.058
B	NRC4280	NRC4280	Brake Pipe	.090
A	NRC4284	NRC4284	Brake Pipe	.190
A	NRC4312	NRC4312	Brake Pipe	.000
A	NRC4313	NRC4313	Brake Pipe	.000
A	NRC4314	NRC4314	Brake Pipe	.000
A	NRC4315	NRC4315	Brake Pipe	.000
A	NRC4795	NRC4795	Brake Pipe	.034
A	NRC5347	BR 0830	Brake Pipe	.044
A	NRC6096	BR 3224	Brake Master Cylinder OEM	.186
A	NRC7290	NRC7290	Brake Pipe	.042
A	NRC7291	NRC7291	Brake Pipe	.076
A	NRC9458	BR 3630	Brake Hose	.097
A	RTC3353	BR 0514	Brake Hose	.094
A	RTC3386	BR 0513	Brake Hose	.098
A	RTC5903	BR 0764	Brake Hose	.082
A	RTC5940	BR 0850	Hose for Slave Cylinder	.100
A	STC1116	BCK 25	Brake Master Cylinder Kit 88"	.010
A	STC1816	BR 2309	Brake Servo Ser3	.2900
B	STC1816G	BR 2309G	Brake Servo Ser3 GIRLING	.2900
B	STC976	BR 0900	Brake Reservoir Filler Cap	.020

Tel: +44 (0)29 20 856 550



**B  
E  
A  
R  
M  
A  
C  
H**

Website – [www.bearnmach.com](http://www.bearnmach.com)

**CABLES**

Category	Rover No	BR No	Description	Unit Weight
A	207178	BR 0983	Cable - Speedo Inner For RTC3484	.0.127
B	598852	BR 1415	Cable - Throttle	.0.052
C	599336	BR 0562	Cable - Choke Control RHD Petrol	.0.096
A	599338	BR 0569	Cable - Choke Control LHD Petrol	.0.000
B	599339	599339	Cable - Stop Control	.0.110
C	599340	BR 1416	Cable - Engine Stop Diesel	.0.140
C	90623054	BR 2294	Cable - Speedo Use PRC2065	.0.463
A	BR 2260	BR 2260	Cable - Speedo Use PRC2065	.0.463
A	BR 2261	BR 2261	Cable - Speedo Use PRC2065	.0.463
B	NRC4369	NRC4369	Cable - Stop Control Engine	.0.000
B	NRC4370	BR 0540	Cable - Stop Control Engine	.0.120
A	PRC2065	BR 1806	Cable - Speedo Ser3	.0.463
A	PRC6021	BR 2168	Cable - Speedo	.0.474
A	RTC3484	BR 0310S	Cable - Speedo Ser2a	.0.464
A	RTC3485	BR 2286	Cable - Speedo	.0.494

Category	Rover No	BR No	Description	Unit Weight
----------	----------	-------	-------------	-------------

PARTS SUITABLE FOR  
**LAND ROVER SERIES 2a & 3**



**B  
E  
A  
R  
M  
A  
C  
H**

**CHASSIS**

Category	Rover No	BR No	Description	Unit Weight
A	218453	BA 2023	Gearbox Crossmember 88" LR	.3.562
A	564704	BR 2321	Front Bumper - Galvanised	.9.852
A	BA 2007	BA 2007	Front Spring Hanger RH LR	.3.084
A	BA 2008	BA 2008	Front Spring Hanger LH LR	.3.084
A	BA 2008A	BA 2008A	Front Chassis Assembly	.14.500
A	BA 2017	BA 2017	Fuel Tank Outrigger Rear RH 109"	.2.662
A	BA 2017L	BA 2017L	Fuel Tank Outrigger Rear LH 109"	.2.662
A	BA 2019L	BA 2019L	Fuel Tank Outrigger LH 88"	.1.788
A	BA 2020	BA 2020	Fuel Tank Outrigger RH 109"	.1.788
A	BA 2020L	BA 2020L	Fuel Tank Outrigger LH 109"	.1.788
A	BA 2022	BA 2022	Footwells Pair	.10.300
A	BA 2022L	BA 2022L	Footwells LH	.5.150
A	BA 2022R	BA 2022R	Footwells RH	.5.150
A	BA 2024	BA 2024	Gearbox Crossmember 109"	.3.560
A	BA 2025	BA 2025	Half Chassis 88"	.39.000
A	BA 2025A	BA 2025A	Quarter Chassis Military	.0.000
A	BA 2061	BA 2061	Crossmember with Hangers Rear	.22.000

Category	Rover No	BR No	Description	Unit Weight
A	BA 2061A	BA 2061A	Crossmember - Military with Extension	.14.500
A	BA 2095	BA 2095	Crossmember - Military	.13.000
A	BA 3048	BA 3048	Chassis Outriggers Ser1	.2.688
A	NRC236	BA 3382	Crossmember - Rear with Extensions	.15.500
A	NRC4538G	BA 2064	Chassis Galvanised 109"	.180.000
A	NRC4642	BA 2063	Chassis Black LR 88"	.0.000
A	NRC4642G	BA 2062	Chassis Galvanised LR 88"	.140.000
A	STC8283	BA 2014	Bulkhead Outrigger LH/RH 88/109	.2.906
A	STC8284	BA 2013	Rear Spring Hanger L/R 88"	.0.832
A	STC8285	BA 2019	Fuel Tank Outrigger RH 88"	.1.678
A	STC8287	BA 2021	Fuel Tank Outrigger Rear 88" LH	.2.060
A	STC8288	BA 2015	Fuel Tank Outrigger Rear 88 RH	.2.108
A	STC8291	BA 2116	Spring Hanger Rear 109" RH/LH	.1.580
A	STC8298	BA 2016	Spring Hanger Rear & Body Support	.3.700
A	Use BA 2016	BA 2118	Spring Hanger Rear & Body Support	.0.000
A	Use BA 2116	BA 2117	Spring Hanger Rear 109" RH	.0.000



**CLUTCH**

Category	Rover No	BR No	Description	Unit Weight
C	216421	BR 0370	Clevis Pin	.0012
A	217979	BR 0751	Connecting Tube	.0130
A	231883	BCC 0002	Anti-Rattle Spring	.0000
A	231884	BCC 0008	Strut Release Lever	.0008
A	231885	BCC 0007	Pin	.0010
A	242996	BCC13/15	Clutch Eye Bolt & Nut	.0028
A	266694	BR 1084	Clutch Slave Cylinder	.0292
B	266694G	BR 1084G	Slave Cylinder GENUINE GIRLING	.0292
A	278690	BR 0318	Spring - NLS after stock end	.0048
A	514244	BR 1314	Slave Cylinder - Repair Kit	.0102
B	514244G	BR 1314G	Slave Cylinder - Repair Kit AP	.0102
B	571228	BR 0631	Clutch Cover 9.5	.6280
A	571161	BR 3549	Insert Clutch Release	.0131
A	571163	571163	Clip	.0002
C	576137	BR 2019	Clutch Release Lever	.0794
A	576203	BR 3107	Staple for Clutch Release Fork	.0016
B	576476	BR 3026	Clutch Cover V8 4 Speed QH	.8974
B	576476G	BR 3026G	Clutch Cover V8 4 Speed B&B	.8974
A	576557	BR 3029	Clutch Cover Assembly 9.5 QH	.6300
B	576557G	BR 3029G	Clutch Cover 9.5 B&B	.6300
C	576723	576723	Clutch Clip for Release Fork	.0002
C	576751	576751	Push Rod	.0034
A	577687	BR 0776	Clutch Pipe	.0062
A	591204	BR 2269	Clutch Withdrawal Sleeve Assembly	.0384
A	591704	BR 1530	Clutch Plate 9"	1.414
B	591704G	BR 1530G	Clutch Plate QH	1.414
A	591705	BR 0999	Clutch Cover Assembly 9"	.0000
A	594177	BR 2336	Sleeve for GRB 236/FRC9568	.0050
A	605997	BR 3027	Clutch Facing NLS	.0596
A	605997	BR 3028	Clutch Facing NLS	.0000
A	90217984	BR 0532	Spherical Bearing	.0024
B	571228G	BR 0631G	Clutch Cover 9.5 B&B	.6280
A	7H3082	BCC 0003	Clutch Spring	.0070
A	7H3325	BR 0816	Clutch Spring	.0072
B	8G8600G	BCK 49G	Repair Kit GIRLING	.0030
A	8G8600L	BCK 49	Clutch Slave Cylinder Overhaul Kit	.0012
A	AEU1022	BR 1261	Clutch Facing Set 9"	.0000
A	AEU1750	BR 3330	Clutch Facing Set	.0250
B	BHM7063G	BR 3713G	Slave Cylinder Repair Kit V8 AP	.0120
A	BHM7063L	BR 3713	Slave Cylinder Repair Kit V8	.0120
B	FRC2297	BR 0959	Clutch Plate 9.5" Q.H.	1.486

Category	Rover No	BR No	Description	Unit Weight
B	FRC2297G	BR 0959G	Clutch Plate 9.5" B&B	1.486
A	FRC2297R	BR 0959A	Clutch Plate 9.5" BM	1.486
A	FRC8531	BR 3021	Slave Cylinder	.0578
B	FRC8531G	BR 3021G	Slave Cylinder GIRLING	.0578
A	FRC9568	BR 2295	Clutch Release Bearing RHP Use FTC5200	.0306
B	FRC9568R	BR 2295R	Clutch Release Bearing Replacement	.0306
B	FRC9773	BR 3120	Clutch Plate 4 Speed QH	1.956
B	FRC9773G	BR 3120G	Clutch Plate 4 Speed B&B	1.956
B	FTC5200	BR 2295	Clutch Release Bearing RHP	.0306
A	NRC4222	BR 0777	Clutch Pipe	.0156
A	NT606041L	NT606041L	Nut	.0011
A	WA108051L	BR 3581	Plain Washer	.0015
A	WM60051L	BR 2068	Spring Washer	.0012



**COOLING**



**B  
E  
A  
R  
M  
A  
C  
H**

Category	Rover No	BR No	Description	Unit Weight
A	213959	BR 0215	Tap Washer - Drain Tap	.0052
A	231190	BR 1742	Chain-Filler Cap	.0010
A	239855	BWK 21	Water Pump - Seal Kit Ser1 & 2	.0000
A	247916	BR 0455	Water Pump - Impellor	.0320
A	268037	BJH 0251	Hose - Radiator Top 2.0	.0000
A	268038	BJH 0252	Hose - Radiator Bottom 2.0	.0250
A	320616	BR 2250	Heater Kit Complete	.0000
A	512018	BR 1675	Fan Blade Assembly	.0872
A	523354	BR 1646	Water Pump - Spindle Bearing	.0000
A	526891	BJH 1128	Hose - Radiator NLS after stock ends	.0704
A	530585	BJH 1107	Hose - Radiator Bottom Straight	.0204
B	532453	BR 0109	Thermostat 74 C	.0106
A	538238	BJH 1129	Hose - Radiator NLS after stock ends	.0664
B	543629	BJH 1106	Hose - Radiator Bottom Angled	.0242
A	562915	BJH 1072	Hose - Outlet NLS after stock ends	.0084
A	564197	BWA 95	Water Pump - LR 2.6 6 cylinder.	.3128
C	564719	564719	Cap Bottle	.0020
C	564724	564724	Hose - Overflow	.0024
A	568301	BWR 22	Water Pump - Seal	.0022
A	569154	BJH 1329	Hose - Heater	.0062
A	569155	BJH 1494	Hose - Heater	.0055
A	569955	BJH 0562	Hose - Radiator Top Ser2a 2.25	.0152
A	569956	BJH 0600	Hose - Radiator Bottom Ser2a 2.25	.0180
A	574871	BR 1364	Hose - By-Pass	.0004
A	575718	BJH1000	Hose Radiator to V8	.0286
A	577346	BJH 1126	Hose - Radiator Top Ser3 2.25	.0312
A	577383	BR 1174	Radiator Block Assembly 2.6	.8338
A	577609	BR 2213	Radiator Block Assembly 2.25	.9500
A	594629	BJH 1200	Hose - Heater	.0038
C	594629G	BJH1200G	Hose - Heater GENUINE	.0038
A	594632	BJH 1201	Hose - Heater	.0174
C	594632G	BJH1201G	Hose - Heater GENUINE	.0174
A	594636	BJH 0565	Hose - Heater	.0046
B	596225	BR 1600	Thermostat 82c LAND ROVER	.0106
A	598064	BR 2278	Fan Hub	.0240
A	602915	BR 0214	Drain Tap	.0020
A	605716	BWR 95	Water Pump - Overhaul Kit 2.6	.0000
A	608246	608246	Drain Plug	.0120
C	614739	BR 1708	Fan Assembly	.0616
A	624363	BJH 0870	Hose - Radiator Top Ser3 2.6	.0332
A	624364	BJH 0871	Hose - Radiator Bottom Ser3 2.6	.0508

Category	Rover No	BR No	Description	Unit Weight
A	90515090	BR 1765	Fan Blade Assembly	.0736
B	90514526	BWA 42	Water Pump Assembly Ser2	.2670
A	BA 031	BA 031	Electric Fan Kit	.3118
A	BA 036	BA 036	Oil Cooler Kit RR	.1240
A	BOPC 29	BOPC 29	Use RTC3607 Radiator Cap 9lbs Pressure	.0073
A	BR 1104	BR 1104	Use 213959	.0052
A	BR 1427B	BR 1427B	Blower Wheel for Heater	.0094
A	CN100408L	BR 0482	Hose Clip	.0016
B	CN100508	CN100508	Hose - Clip	.0019
C	CRC1250L	CRC1250L	Clip Pipe	.0019
B	CRC2131	BR 2132	Hose	.0274
B	ERC2849	BR 0578	Viscous Unit	.0788
A	ERC3978	BR 3284	Water Pump - Spindle Bearing	.0254
A	ERC5654	BJH 5654	Hose - By Pass	.0042
A	ERC7495	BR 2208	Water Pump Fan Hub	.0322
C	ERC9728	ERC9728	Hose	.0046
C	ERR3380	BR 1695	Fan Assembly	.0608
B	ETC4761	BR 2258	Thermostat 74 C V8	.0068
B	ETC4765	ETC4765	Thermostat	.0074
A	GRC116	BOPC 31	Radiator Cap 10lbs Pressure	.0124
B	GRH382	BJH 0520	Hose - Radiator	.0000
A	GRH418	BJH 0495	Hose - Radiator Bottom 2.0 Diesel	.0000
A	NRC3115	BJH 1127	Radiator Hose Bottom Ser3 2.25	.0302
A	NRC9493	BR 3356	Fan Cowling 2.25 Diesel	.2762
A	NRC9494	NRC9494	Fan Cowling 2.25 Petrol	.2103
A	RTC3072	BWR 23	Water Pump - Overhaul Kit 2.25	.0584
B	RTC3072G	BWR 23G	Water Pump - Overhaul Kit 2.5 AE	.0000
A	RTC3497	BR 3183	Hose Clip	.0010
A	RTC3499	BR 3051	Hose Clip	.0010
A	RTC3607	BR 1743	Radiator Cap 9lbs pressure	.0073
A	RTC6327	BWA 46	Water pump - Military 7 Hole	.3500
A	RTC6328	BWA 41	Water Pump - 2.25 4 cylinder LR	.3500
B	RTC6328G	BWA 41G	Water Pump - 2.25 4 cylinder AE	.3500
A	RTC6334	BWA 43	Water Pump - Diesel with Viscous	.3402
B	SHF795002	BR 1427	Heater Radiator Ser3	.0028

**For Heavy Duty 4 Row Radiators and Heavy Duty Water Pumps please see the Bearnmach Accessory Catalogue**



**B  
E  
A  
R  
I  
N  
G  
M  
A  
C  
H**

Website – [www.bearingmach.com](http://www.bearingmach.com)

**DRIVELINE**

Category	Rover No	BR No	Description	Unit Weight
A	262468	BR 1282	Splined Shaft End Rear 88" male	1.052
A	262469	BR 1283	Prop Shaft Flange Sliding Joint	0.672
A	276483	BR 1388	Prop Shaft Grommet	0.114
A	276484	BR 0661	Prop Shaft Grommet With Clips	0.162
A	591279	BR 3075	Prop Shaft Rear 109" 4 Cylinder	7.476
B	591283	591283	Prop Shaft Rear 109" 6 Cylinder	7.096
A	600656	BR 0664	Prop Shaft Front - Yoke	0.662
A	601790	BR 1480	Prop Shaft (Stub)	0.906
A	8407L	BR 0663	Splined Flange End	0.890
A	FRC4907	BR 0404	Prop Shaft Rear 88"	5.860
A	RTC3346	BR 1741	Universal Joint	0.500
B	RTC3346G	BR 1741G	Universal Joint SPICER	0.500
A	RTC3458	BUJ 6	Universal Joint	0.420
B	RTC4132	BUJ 6G	Universal Joint SPICER	0.420
A	RTC5964G	BUJ 7G	Universal Joint SPICER	0.448
A	STC121	BR 0406	Prop Shaft Front 109"	6.210
A	STC573	BR 0409	Prop Shaft Rear 109"	7.474
A	STC574	BR 3074	Prop Shaft Front 109"	6.670

Category	Rover No	BR No	Description	Unit Weight
----------	----------	-------	-------------	-------------

PARTS SUITABLE FOR  
**LAND ROVER SERIES 2a & 3**

**ELECTRICAL**



**B  
E  
A  
R  
M  
A  
C  
H**

Category	Rover No	BR No	Description	Unit Weight
A	10211	BR 0342	Bulb - Side 6w 207	.006
A	148876	BE 3578	Regulator Box	.025
A	214262	BR 0848	Spark Plug Cover	.000
A	214279	BR 0400	Washer-Distributor Cap	.002
A	214792	BR 2089	Bearing Plate - NLS after stock ends	.186
A	214793	BR 0273	Bush	.064
A	214794	BR 0120	Bush	.012
A	232590	BR 0810	Bulb - Instrument 12v/2.2w	.003
A	239565	BR 1659	Speedometer Assembly	.430
A	242673	BE 0541	Drive End Bracket	.312
A	242958	BE 0372	Bush Commutator End	.011
A	244706	BE 0527	Commutator End Bracket	.000
A	244708	BE 0752	Spring	.004
A	244709	BE 0549	Pinion Nut	.036
A	244711	BE 2408	Starter Pinion	.216
A	244712	BE 2454	Starter Pinion Spring	.002
A	244713	BE 0644	Drive End Bracket	.582
A	244714	BE 0373	Bush Pinion End	.000
A	244715	BE 0436	Starter Armature Assembly	.124
A	244718	BR 1783	Sundry Set	.000
A	247209	BR 1137	Dynamo Pulley	.186
A	247952	BR 0412	Plug Lead	.020
A	247953	BR 0413	Earth Lead	.012
B	260055	BE 0038	Brush Set	.044
A	260070	BE 0244	Condenser	.000
A	261239	BE 0750	Spring Set - NLS after stock ends	.008
A	261483	BE 0044	Brush Set	.014
A	262290	BE 0809	Washer-Valve Cage	.000
A	262703	BE 0028	Brush Set	.002
A	262708	BE 3400	Advance Weight	.040
A	262859	BE 0891	Regulator Cover	.082
A	262861	BE 0523	Field Coil	.678
A	264435	BE 0331	Field Coil - NLS after stock ends	.696
A	264590	BR 1302	Bulb - Stop Tail 5/21w 380	.010
A	264591	BR 1303	Bulb - Flasher 21w 382	.006
A	270238	BE 2443	Clutch Plate	.072
A	270239	BE 1335	Clutch Adjusting Shims	.000
A	270243	BE 0356	Bush - NLS When Stock Ends	.000
A	271614	BE 0389	Dynamo Bush	.015
A	279010	BE 1037	Field Coil	.862
A	279188	BR 1422	Lamp - Rear Flasher NLS when stock ends	.000

Category	Rover No	BR No	Description	Unit Weight
A	279341	BR 1658	Speedometer Assembly	.454
A	320608	BR 1561	Lens	.110
B	395141	BR 0489	Barrel Lock With Key	.028
B	500918	500918	Bulb	.004
A	502087	BE 0778	Switch - Headlamp Dip	.000
A	502096	BR 1797	Flasher Unit	.034
A	502283	BR 1481	Terminal Bush & Lead	.005
A	503352	BR 3073	Bulb - Instrument Panel 12v 2w 281	.002
A	505196	BR 1523	Bulb - Headlamp 50/40w 12v	.030
A	505197	BR 1584	Bulb - Headlamp 40/45w 12v	.054
A	509308	BE 0649	End Bracket	.304
A	509311	BE 1038	Generator Armature	1.552
A	512099	BE 1487	Starter Armature	3.518
A	512359	BR 2028	Dust Cover	.088
A	512800	BE 0425	Generator Arm	2.606
A	513679	BE 1834	Driving Dog	.000
A	514195	BE 0648	Commutator End Bracket	.254
B	518848	518848	Alternator Bearing	.096
A	519753	BR 1888	Slip Ring	.052
C	519838	BR 1624	Tank Gauge	.344
A	519840	BR 1625	Ammeter	.000
A	522913	BR 1641	Dynamo Pulley	.412
A	529221	BE 0369	Bearing 99	.050
A	530079	BE 0871	Volt Regulator	.000
A	530890	BR 1971	Fan Pulley	.330
A	532566	BE 1853	Terminal Set	.014
A	532568	BE 0647	Starter Bracket	.000
A	532572	BE 0991	Bush	.010
A	532574	BE 0992	Bush	.010
A	532578	BE 0775	Switch - Solenoid Starter	1.200
A	532880	BR 1721	Lens	.052
A	536094	BR 1711	Lamp - Flasher	.122
A	536113	BR 1522	Headlamp Assembly - NLS after stock ends	.814
A	536151	BR 1693	Lens - Side Lamp Clear	.020
A	536152	BR 1694	Lens - Flasher Lamp Amber	.038
A	538628	BE 0398	Bush for Armature	.011
A	538629	BE 0631	Bracket - Drive End	.000
A	538630	BE 1088	Generator Armature	2.364
A	538631	BE 1372	Field Coil	.668
A	538632	BE 0571	Dynamo Bracket Bolt	.044
A	539570	BR 1458	Distributor Cap 6 Cylinder Early	.118



**B  
E  
A  
R  
M  
A  
C  
H**

Website - [www.bearmach.com](http://www.bearmach.com)

**ELECTRICAL**

Category	Rover No	BR No	Description	Unit Weight
A	540114	BR 2327	Speedometer 88" Mph & W/Light	.000
A	540115	BR 2060	Speedometer 88" Kph & W/Light	.0466
C	540117	BR 2314	Speedometer 109" Mph & W/Light	.0456
A	540118	BR 2061	Speedometer 109" Kph & W/Light	.0000
A	541522	541522	Use 589446	.0000
A	542043	BR 1750	Lens	.0075
A	542044	BR 1751	Lens	.0106
A	545010	BR 1738	Switch - Thermostat	.0000
A	546488	BR 0582	Gasket	.0002
A	550336	BR 1969	Dynamo Fan	.0168
A	551508	BR 2057	Switch - Ignition Petrol	.0104
B	551508G	BR 2057G	Switch - Ignition Petrol LUCAS	.0104
B	551595	551595	Reflector - Round Rear	.0000
C	552575	BR 2063	Dust Cover - Horn Contact	.0092
B	555778	BR 2026	Switch - Wiper Motor	.0034
B	555835	BR 2323	Fuel Gauge	.0058
B	555877	555877	Switch	.0056
A	559160	BR 2331	Speedometer Assembly	.0446
B	560746	560746	Water Temperature Gauge	.0054
A	560794	BR 2117	Temperature Transmitter	.0032
C	564718	BR 1188	Washer Bottle	.0174
B	566859	BR 2281	Distributor Cap up to Suffix C	.0116
A	568055	BR 3362	Transmitter	.0036
A	568335	BR 1555	Heater Plug	.0092
B	568788	BR 2206	Pulley for Alternator LUCAS	.0312
A	568788R	BR 2206R	Pulley for Alternator OEM	.0312
A	570822	BR 1068	Bulb - Side/No.Plate 6w 989	.0004
A	573120	BR 1763	Washer Bottle & Pump Assembly	.0000
A	575166	BR 1448	Switch - Stop Lamp BM	.0018
B	575166G	BR 1448G	Switch - Stop Lamp LUCAS	.0018
A	575312	BR 3103	Bulb - Side/No.Plate 6w 233	.0004
A	575383	BR 3046	Indicator Switch BM	.0210
B	575383G	BR 3046G	Indicator Switch LUCAS	.0210
A	575395	BE 3592	Fuse Box	.0078
A	575457	BR 1534	Use RTC5013 Flasher Lamp Front	.0118
C	577020	BR 2165	Battery Cover	.0496
B	579006	BE 3589	Switch - Wiper/Washer	.0068
B	579027	BR 0615	Switch - Wiper	.0066
B	579084	BE 3591	Switch	.0126
B	579164	579164	Drive Speedometer	.0178
A	589031	BR 3551	Alternator	3.780

Category	Rover No	BR No	Description	Unit Weight
A	589223	BR 1448	Switch	.0018
B	589284	BR 1230	Lens - Side Lamp Lens	.0020
A	589403	589403	Use RTC5012	.0000
A	589414	589414	Use RTC5524	.0000
B	589446	BR 2257	Lamp - Stop & Tail	.0160
B	589448	BR 0662	Lens	.0052
B	589665	589665	Starter Relay	.0098
A	600328	BE 0949	Distributor Cap Acorn Nut Conn	.0098
B	600329	BR 0753	Terminal Bush & Lead	.0008
A	600334	BE 1003	Bush	.0000
A	601721	BR 1260	Lens	.0020
A	605544	BE 3564	Distributor Cap 6 Cylinder up to Suffix B	.0146
A	605620	BE 3556	Bush	.0020
A	605621	BE 0550	Armature	.0000
A	607141	BE 1046	Field Coil	.0614
A	607375	BE 0890	Voltage Regulator	.0450
A	607754	BE 3581	Starter Armature	3.476
B	607932	BE 2454A	Starter Motor Pinion Kit	.0086
A	608111	BR 1483	Vacuum Unit	.0140
A	608172	BE 2405	Starter Bush Kit Late Ser3	.0056
C	608194	608194	Vacuum Unit	.0114
A	608304	BE 2418	Bush Kit	.0064
A	608352	BE 0820	Starter Bush Kit	.0030
A	90500411	BR 1447	Lens - Stop & Tail Lamp NLS	.0000
B	90501505	90501505	Starter Motor 24v Petrol	8.192
A	90519841	BR 1626	Fuel Gauge	.0000
A	90519864	BR 1628	Switch - Oil Pressure	.0030
A	90519866	BR 1629	Switch - Indicator NLS	.0000
A	90575150	BR 0979	Lamp - Rear Number Plate (with Studs)	.0130
B	90575201	BR 2062	Horn Push	.0172
B	90575220	BR 0998	Bulb - Festoon 12v 18/21w	.0006
A	90608175	BE 2463	Armature Starter	2.302
A	90608176	90608176	Field Coil	.0494
B	90608178	90608178	Sundry P Kit	.0062
A	13H3735L	BR 3346	Switch - Stop Lamps	.0012
A	13H5952L	BE 0771	Switch - Solenoid	.0288
B	13H5952LG	BE 0771G	Switch - Solenoid LUCAS	.0288
B	18G8619L	BE 3571	Bearing Kit Alternator ACR	.0068
A	18G8620L	BE 3572	Bearing Kit Alternator ACR	.0056
B	1H9077G	BR 2058G	Switch LUCAS	.0052
B	1H9077L	BR 2058	Switch	.0052

PARTS SUITABLE FOR  
**LAND ROVER SERIES 2a & 3**

**ELECTRICAL**



**B  
E  
A  
R  
M  
A  
C  
H**

Category	Rover No	BR No	Description	Unit Weight
A	27H8207L	BR 1907	Head Lamp Assembly	.0924
B	37H2736L	BE 0810	Shaft & Gear for Wiper Motor	.0138
A	37H5208L	BR 2021	Wiper Motor Drive Cable	.0198
A	37H6836L	BE 2644	Sundry Part Kit	.0010
A	37H7847L	BR 2024	Wiper Arm LH Ser2a NLS	.0000
A	37H7848	BR 2025	Wiper Arm RH Ser2a NLS	.0000
A	7H5007	BE 2404	Main Spring	.0130
B	AAU1079	AAU1079	Lens	.0120
A	AAU1405	BE 3569	Brush Kit	.0062
A	AAU1700	AAU1700	Warning Switch	.0042
A	AAU2053	BE 3570	Rotor Assembly	.1334
A	AAU3956	BE 3579	Alternator Fan	.0080
A	AAU4813	BE 3582	Drive Assembly	.0632
B	AAU8238	BE 3595	Wiper Motor 24v LUCAS NEW	.1426
A	AAU8238R	BE 3595R	Wiper Motor 24v Reconditioned	.1426
B	AEU1034	AEU1034	Vacuum Unit	.0000
C	AEU1061	AEU1061	Headlamp	.0000
C	AEU1124	BR 1771	Distributor Assembly 2.6	.1026
B	AEU1355	BR 1993	Headlamp Assembly	.1292
B	AEU1374	AEU1374	Sidelamp	.0274
B	AEU1375	AEU1375	Lens	.0106
A	AEU1565	BE 3576	Stator	.0688
B	AEU1586	AEU1586	Bracket - End Cover	.0286
B	AEU1652	AEU1652	Lamp - Number Plate	.0070
B	AEU2792	BR 2007	Drive Unit	.0620
B	AMR2631	BR 1906	Gauge Water Temperature	.0188
A	AUB6106	BE 0813	Contact Set	.0022
A	BA 029A	BA 029A	Lamp - Swivel/Tilt Plastic	.0950
A	BA 051	BA 051	Headlamp Bowl Kit Plastic	.0310
A	BA 070	BA 070	Headlamps H4 Kit	.0000
A	BA 3032	BA 3032	Battery - Petrol LR	.0000
A	BA 3033	BA 3033	Battery - Diesel LR	.0000
A	BE 0010	BE 0010	Use RTC3470 Brush Set	.0104
A	BE 0595	BE 0595	Use RTC3270 Contact Set	.0000
A	BE 0622	BE 0622	Use 600328 Distributor Cap	.0000
A	BE 0772	BE 0772	Use RTC3288 Contact Set 4 Cylinder	.0018
A	BE 1069E	BE 1069E	Starter Motor 2.25 EXCHANGE	.6562
A	BE 1847	BE 1847	Starter Armature	.0000
B	BHM7196L	BR 1995	Head Lamp Assembly RHD	.0944
B	BR 0537	BR 0537	Use RTC4773 Steering Column Lock	.0000
A	BR 0745	BR 0745	Use RTC4933 Rotor Arm Ducellier Type	.0026

Category	Rover No	BR No	Description	Unit Weight
A	BR 1297	BR 1297	Use 589446 Stop & Tail Lamp	.0160
A	BR 1472	BR 1472	Use PRC2670 Ignition Switch	.0000
A	BR 1554	BR 1554	Heater Plug Parallel Conversion Kit	.0396
A	BR 1554A	BR 1554A	Heater Plugs Parallel Type	.0000
A	BR 1569	BR 1569	Use RTC4932 Distributor Cap	.0136
A	BR 1630	BR 1630	Use PRC2057 Horn	.0280
A	BR 1710	BR 1710	Use 589446 Stop & Tail Lamp	.0160
A	BR 1712	BR 1712	Use RTC5012 Side Lamp	.0000
A	BR 1722	BR 1722	Use 589446 Stop & Tail	.0212
A	BR 1752	BR 1752	Use STC319 Indicator Lens	.0020
A	BR 1753	BR 1753	Use 589284 Side Lamp	.0020
A	BR 2023	BR 2023	Use RTC3867 Wiper Motor LUCAS	.0000
B	ERC1353	ERC1353	Gear Distributor	.0136
A	ERC2523	BR 0352	Ignition Lead Set 6 cylinder 2.6	.0252
A	ERC3256	BR 3054	Ignition Lead Set 4 Cylinder	.0170
B	ERC3342	BR 1669	Distributor	.1564
B	ERC6986	BR 1770A	Distributor Assembly 2.25 DUCCELLIER	.0904
A	ERC8450	BR 1568	Heater Plug Diesel	.0030
B	ERC8520	BR 1770	Distributor Assembly 2.25 LUCAS	.0956
B	ERR5693	PRC3583	Starter Motor 2.0 use ERR5693	.7908
C	ETC4357	BE 3577	Alternator Bracket	.0524
A	FHM120203	BR 1427A	Heater Motor	.0776
A	GGB103	BE 0095	Brush Set	.0024
A	JS487L	BE 0823	Alternator Bracket	.0394
A	JS495L	BE 3573	Sundry Part Kit Alternator ACR	.0050
B	NRC7422	NRC7422	Clamp Shroud	.0175
B	PRC1330	BR 3045	Wiper Blade Ser3 (Black) OEM	.0072
A	PRC1330R	BR 3045R	Wiper Blade Ser3 (Black) BM	.0072
A	PRC1716	BR 1556	Resistor For Heater Plugs	.0136
A	PRC2057	BR 3038	Horn	.0280
A	PRC2506	BR 0648	Switch Oil Temperature	.0034
A	PRC2516	BR 1327	Lamp - Fog Square	.0256
A	PRC2605	BR 2332	Speedometer Kph 88" With Trip	.0464
B	PRC2607	BR 2329	Speedometer Kph 109" With Trip	.0496
B	PRC2620	BR 3043	Wiper Arm Ser3 LH (Black) OEM	.0106
A	PRC2620R	BR 3043R	Wiper Arm Ser3 RH (Black) BM	.0106
B	PRC2621	BR 3042	Wiper Arm Ser3 RH (Black) OEM	.0106
A	PRC2621R	BR 3042R	Wiper Arm Ser3 LH (Black) BM	.0106
A	PRC2670	BR 3069	Switch - Ignition Diesel	.0000
B	PRC2734	BR 3062	Switch - Ignition Diesel	.0178
C	PRC2783	BR 2322	Gauge Panel	.0338





**ELECTRICAL**

Category	Rover No	BR No	Description	Unit Weight
A	PRC2936	BR 2316	Speedometer Assembly	.000
B	PRC3299	BR 1361	Lamp - Reverse LAND ROVER	.0256
B	PRC3384	BR 0844	Wiper Arm LH Suffix D On.	.0144
B	PRC3385	BR 0885	Wiper Arm RH Suffix D ON	.0144
B	PRC6317	BR 1620	Switch - Oil Temperature	.0034
B	PRC8495	BR 0586	Wiper Motor - Spindle Kit	.1195
A	PRC9858	BE 0615	Ignition Coil LAND ROVER	.0830
B	PRC9858G	BE 0615G	Ignition Coil LUCAS	.0830
A	RTC1123	BE 2490	Starter Drive Assembly	.0382
B	RTC1843	RTC1843	Lens Turn LH	.0118
B	RTC1844	RTC1844	Lens Turn LH	.0118
B	RTC1885	RTC1885	Lamp - Front Flasher Military	.0288
B	RTC1886	RTC1886	Lamp - Rear Flasher Military	.0288
B	RTC1919	RTC1919	Lamp - Stop Tail Military	.0232
B	RTC198	BR 0847	Brush	.0000
A	RTC210	BR 1532	Lens - Stop Tail Lamp	.0025
A	RTC2323	BR 1471	Switch - Barrel Lock Starter	.0042
A	RTC254	BE 3566	Starter Drive	.0630
A	RTC3197	BR 3375	Distributor Cap V8 not H/C RR.	.0268
A	RTC3233	BE 0116	Brush Set	.0016
A	RTC3255	BE 0094	Brush Set	.0016
A	RTC3270	BE 3567	Contact Set 4 Cylinder LUCAS	.0020
B	RTC3270R	BE 3567R	Contact Set	.0020
B	RTC3278	BE 0826	Distributor Cap Suffix D on	.0120
A	RTC3284	BE 3568	Brush Set Alternator ACR Type	.0012
A	RTC3288	BE 0773	Contact Set 4 Cylinder LUCAS	.0022
B	RTC3288R	BE 0773R	Contact Set	.0022
B	RTC3460	BR 1229	Wiper Blade Ser2a LAND ROVER	.0054
A	RTC3470	BE 0150	Brush Set	.0104
A	RTC3471	BE 0324	Condenser	.0014
A	RTC3472	BE 0342	Condenser LUCAS	.0014
B	RTC3472R	BE 0342R	Condenser	.0014
A	RTC3562	BR 3182	Flasher Unit	.0018
A	RTC3569	BR 1221	Spark Plug 7:1 C/R Use GSP 130	.0066
C	RTC3570	BR 2310	Spark Plug 8:1 C/R	.0064
A	RTC3571	BR 0159	Spark Plug N5	.0062
A	RTC3612	BE 0296	Rotor Arm 4 Cylinder up to Suffix C	.0016
A	RTC3613	BR 3188	Rotor Arm V8	.0046
A	RTC3614	BE 0051	Rotor Arm 4 Cylinder	.0014
B	RTC3681	BE 3575	Light Unit - Sealed Beam RHD	.0606
B	RTC3682	RTC3682	Light Unit	.0606

Category	Rover No	BR No	Description	Unit Weight
B	RTC3683	BR 1997	Light Unit - Sealed Beam LHD	.0606
A	RTC3813	BR 0658	Distributor Cap	.0090
A	RTC3840	BE 0464	Generator Assembly Use RTC3840E	.5404
A	RTC3840E	BE 0468	Generator Assembly	.5404
A	RTC3851	BE 3596	Alternator 18 ACR	.4330
A	RTC3858	BE 3448A	Starter - Diesel Use RTC5232M	.11500
A	RTC3862	BE 0877	Voltage Regulator	.0464
A	RTC3863	BR 1800	Voltage Regulator	.0710
A	RTC3866	BR 1631	Wiper Motor Ser1	.0000
A	RTC3867	BE 3574	Wiper Motor New BM	.1762
B	RTC3867G	BE 3574G	Wiper Motor New LUCAS	.1762
A	RTC3966	BR 1780	Regulator Alternator ACR Type	.0078
B	RTC3966G	BR 1780G	Regulator LUCAS	.0078
B	RTC4183	RTC4183	Lens - Fog Lamp	.0085
B	RTC4184	RTC4184	Lens - Reverse Lamp	.0085
A	RTC4252	BR 3081	Rectifier Alternator ACR Type	.0120
A	RTC430	BR 3044	Switch - Panel Light	.0018
B	RTC432	BR 2056	Switch - Dip	.0076
A	RTC4505	BE 0275	Fuse - 25A	.0002
A	RTC4510	BE 0277	Fuse - 35A Use 12738	.0002
A	RTC4512	BR 0616	Switch - Vacuum Actuator	.0056
A	RTC4542	BE 0624	Rotor Arm	.0017
A	RTC460	BE 0774	Switch - Solenoid	.1336
A	RTC4609	BR 1779	Rectifier	.0122
B	RTC4609G	BR 1779G	Rectifier LUCAS	.0122
A	RTC466	BE 0756	Spring Set	.0006
B	RTC4732	RTC4732	Spark Plug 24V	.0076
B	RTC4771	RTC4771	Lamp - Convoy	.0320
C	RTC4773	BR 0536	Steering Column Lock D. Ser3	.1264
A	RTC4827	BE 0769	Flasher Switch	.0160
A	RTC4932	BE 3588	Distributor Cap DUCELLIER	.0136
A	RTC4933	BE 3586	Rotor Arm Ducellier type	.0026
B	RTC5012	BR 1533	Side Lamp Complete OEM	.0118
A	RTC5012R	BR 1533R	Side Lamp Complete	.0118
B	RTC5013	BR 3384	Front Flasher Lamp OEM	.0118
A	RTC5013R	BR 3384R	Front Flasher Lamp	.0118
C	RTC5034	BR 2317	Speedometer Mph 88"	.0625
A	RTC5035	BR 2328	Speedometer Mph 109"	.0625
A	RTC5084E	BR 3031	Alternator Use RTC5084E	.3780
B	RTC5084E	BR 3551	Alternator Mac.Sensd Reconditioned LAND ROVER	.3780
A	RTC5225E	BE 1069	Starter Motor 2.25 Petrol Reconditioned	.6562



**ELECTRICAL**



**B  
E  
A  
R  
M  
A  
C  
H**

Category	Rover No	BR No	Description	Unit Weight
B	RTC5225N	BE 1069G	Starter Motor 2.25 NEW LUCAS	.6.562
A	RTC5232N	BE 3448A	Starter Motor 2.25 Diesel NEW	.11.000
B	RTC5249N	BR 3333G	Starter Motor 2.5 NEW	.11.250
A	RTC5523	BR 1317	Lamp - Stop & Tail	.0.122
A	RTC5524	BR 1330	Lamp - Rear Flasher	.0.098
B	RTC5563	BE 0763	Bush Kit	.0.038
C	RTC5816	BE 3593	Switch - Choke	.0.010
A	RTC5967	BE 0151	Brush Set	.0.076
A	RTC6061	BE 3580	Starter Motor V8 BM NEW	.4.046
B	RTC6061N	BE 3580G	Starter Motor V8 MAGNETI MARELLI	.4.046
A	RTC6551	BR 3524	Ignition Lead Set V8 Engine	.0.570
B	RTC6551G	BR 3524G	Ignition Lead Set V8 Engine LUCAS	.0.570
A	RTC6620	BE 3587	Condenser Ducellier type	.0.024
A	RTC6621	BE 3599	Condenser Long 17.7/8"	.0.022
A	RTC6622	BE 3590	Contact Set 24v	.0.016
A	RTC6623	BR 3173	Contact Set V8	.0.022
B	RTC6623G	BR 3173G	Contact Set V8 LUCAS	.0.022
A	RTC6625	BE 3584	Contact Set DUCELLIER	.0.024
B	RTC6627	BE 0829	Contact Set BM	.0.026
A	RTC6627G	BE 0829G	Contact Set LUCAS	.0.026
B	RTC6818	BR 0886	Wiper Blade Suffix (D) on	.0.000
B	RTC830	BR 0963	Bush Kit	.0.082
B	STC1115	BR 0442	Jet Extension for Washer	.0.000
A	STC130	BR 0860	Surge Protector	.0.016
A	STC1518	BR 2249	Switch - Solenoid Diesel Starter	.0.982
A	STC1689	BR 2086	Switch - Stop	.0.042
B	STC319	BR 0659	Lens - Direction Indicator	.0.020
B	STC575	BR 0479	Pump Motor	.0.092
B	STC987	BR 0587	Adaptor Only for 605904	.0.022

Category	Rover No	BR No	Description	Unit Weight
----------	----------	-------	-------------	-------------

Tel: +44 (0)29 20 856 550



**B  
E  
A  
R  
M  
A  
C  
H**

Website – [www.bearmach.com](http://www.bearmach.com)

## ENGINE (BEARINGS)

Category	Rover No	BR No	Description	Unit Weight
A	247583	BR 0073	Gudgeon Pin Bush Diesel 2.25	.058
A	273163	BR 0060	Con Rod Bush	.000
A	523301	BR 1653	Con Rod Bearing Std. 2.0	.000
A	523302	BR 1654	Con Rod Bearings NLS	.000
A	523303	BR 1655	Con Rod Bearing .020 2.0	.000
A	523304	BR 1656	Con Rod Bearing .030 2.0	.000
A	523305	BR 1657	Con Rod Bearings NLS	.000
A	523311	BR 1665	Main Bearing Centre Std.	.000
A	523312	BR 1666	Main Bearing Centre .010	.000
A	523315	BR 1668	Main Bearing Centre .040	.000
A	523316	BR 0167	Thrust Washer Std.	.000
A	523319	BR 0170	Thrust Washer .0075	.000
A	523320	BR 0171	Thrust Washer .010"	.000
A	523321	BR 1394	Main Bearing Std.	.0318
A	523322	BR 1395	Main Bearing .010	.0338
A	523323	BR 1396	Main Bearing .020	.0370
A	523324	BR 1397	Main Bearing .030	.0374
A	523325	BR 1398	Main Bearing .040	.000
A	523326	BR 1399	Main Bearing Rear Std.	.000
A	523327	BR 1474	Main Bearing Rear .010	.0342
A	523331	BR 0172	T/Washer NLS	.000
A	523332	BR 0173	T/Washer NLS	.000
A	523336	BR 1159	Con Rod Bearing Std	.000
A	523337	BR 1160	Con Rod Bearing .010 2.0	.0330
A	523338	BR 1161	Con Rod Bearing .020 2.0	.0330
A	523339	BR 1162	Con Rod Bearing .030 2.0	.0350
A	523340	BR 1163	Con Rod Bearing .040 2.0	.0375
A	523345	BR 1652A	Con Rod Bearing .040 2.6	.000
A	528004	BR 0061	Gudgeon Pin Bush Petrol 2.25	.040
B	528004G	BR 0061G	Gudgeon Pin Bush Petrol 2.25 AE	.040
A	533979	BR 1730	Complete Engine Bearing Set Std.	.000
A	533980	BR 1731	Complete Engine Bearing Set .10	.000
A	533981	BR 1732	Complete Engine Bearing Set .20	.000
A	533982	BR 1733	Complete Engine Bearing Set .30	.000
A	533983	BR 1734	Complete Engine Bearing Set .40	.000
A	538131	BR 0178	Thrust Washer .0025 (PAIR)	.036
B	538131G	BR 0178G	Thrust Washer .0025 (PAIR) AE	.036
A	538132	BR 0179	Thrust Washer .005 (PAIR)	.036
B	538132G	BR 0179G	Thrust Washer .005 (PAIR) AE	.036
A	538133	BR 0180	Thrust Washer .0075 (PAIR)	.036
A	538134	BR 0181	Thrust Washer .010 (PAIR)	.036

Category	Rover No	BR No	Description	Unit Weight
A	600182	BR 2134	Bearing Set .010 2.6	.000
A	600184	BR 2136	Bearing Set .030 2.6	.0928
A	600185	BR 2137	Bearing Set .040 2.6	.000
A	90519054	BR 1386B	Camshaft Bearing (one piece)	.054
A	90519054/5	BR 1386	Camshaft Bearing (set of four)	.204
A	90519055	BR 1386A	Camshaft Bearing (three pieces required)	.054
B	90519055G	BR 1386G	Camshaft Bearing (set of four pieces) AE	.204
A	90600183	BR 2135	Bearing Set .020 2.6	.000
B	ETC8442	ETC8442	Camshaft Bearing 4 Cylinder	.048
A	RTC1718	BR 3477	Main Bearing Set Std V8	.0424
B	RTC1718G	BR 3477G	Main Bearing Set Std V8 AE	.0424
A	RTC171810	BR 3478	Main Bearing Set .010 V8	.0424
A	RTC171810G	BR3478G	Main Bearing Set .010 V8 AE	.0424
A	RTC171820	BR 3479	Main Bearing Set .020 V8	.0448
B	RTC171820G	BR 3479G	Main Bearing Set .020 V8 AE	.0448
A	RTC171830	BR 3480	Main Bearing Set .030 V8	.0464
B	RTC171830G	BR 3480G	Main Bearing Set .030 V8 AE	.0464
A	RTC171840	BR 3481	Main Bearing Set .040 V8	.0474
B	RTC171840G	BR 3481G	Main Bearing Set .040 V8 AE	.0474
A	RTC1720	BR 2123	Main Bearing Set Std 2.6	.000
A	RTC172010	BR 1165	Main Bearing Set .010 2.6	.0576
A	RTC172020	BR 1168	Main Bearing Set .020 2.6	.0588
A	RTC1721	BR 1164	Con Rod Bearing Std. 2.6	.0330
A	RTC172110	BR 1650	Con Rod Bearing .010 2.6	.0250
A	RTC172120	BR 1651	Con Rod Bearing .020 2.6	.000
A	RTC1729	BR 1610C	Main Bearing Set Std 2.25	.0310
B	RTC1729G	BR 1610	Main Bearing Set Std AE	.0310
A	RTC172910	BR 1611C	Main Bearing Set .010 2.25	.0310
B	RTC172910G	BR 1611	Main Bearing Set .010 AE	.0310
A	RTC172920	BR 1612C	Main Bearing Set .020 2.25	.0326
B	RTC172920G	BR 1612	Main Bearing Set .020 AE	.0326
A	RTC172930	BR 1613C	Main Bearing Set .030	.0336
B	RTC172930G	BR 1613	Main Bearing Set .030 AE	.0336
A	RTC172940	BR 1614C	Main Bearing Set .040	.0358
B	RTC172940G	BR 1614	Main Bearing Set .040 AE	.0358
A	RTC172950	BR 1615C	Main Bearing Set .050	.0372
A	RTC172960	BR 1616C	Main Bearing Set .060	.0372
A	RTC1730	BR 1670	Con Rod Bearing Set Std 2.25	.0270
B	RTC1730G	BR 1670G	Con Rod Bearing Set Std AE	.0270
A	RTC173010	BR 1671	Con Rod Bearing Set .010 2.25	.0276
B	RTC173010G	BR 1671G	Con Rod Bearing Set .010 AE	.0276

**PARTS SUITABLE FOR  
LAND ROVER SERIES 2a & 3**



**B  
E  
A  
R  
I  
N  
G  
S**

**ENGINE (BEARINGS)**

Category	Rover No	BR No	Description	Unit Weight
A	RTC173020	BR 1672	Con Rod Bearing Set .020 2.25	.0296
B	RTC173020G	BR 1672G	Con Rod Bearing Set .020 AE	.0296
A	RTC173030	BR 1673	Con Rod Bearing Set .030 2.25	.0310
B	RTC173030G	BR 1673G	Con Rod Bearing Set .030 AE	.0310
A	RTC173040	BR 1674	Con Rod Bearing Set .040 2.25	.0332
B	RTC173040G	BR 1674G	Con Rod Bearing Set .040 AE	.0332
A	RTC173050	BR 1660	Con Rod Bearing Set .050 2.25	.0340
A	RTC173060	BR 1661	Con Rod Bearing Set .060 2.25	.0340
A	RTC2117	BR 3472	Con Rod Bearing Set Std V8	.0278
B	RTC2117G	BR 3472G	Con Rod Bearing Set Std V8 AE	.0278
A	RTC211710	BR 3473	Con Rod Bearing Set .010 V8	.0288
B	RTC211710G	BR 3473G	Con Rod Bearing Set .010 V8 AE	.0288
A	RTC211720	BR 3474	Con Rod Bearing Set .020 V8	.0308
B	RTC211720G	BR 3474G	Con Rod Bearing Set .020 V8 AE	.0308
A	RTC211730	BR 3475	Con Rod Bearing Set .030 V8	.0332
B	RTC211730G	BR 3475G	Con Rod Bearing Set .030 V8 AE	.0332
A	RTC211740	BR 3476	Con Rod Bearing Set .040 V8	.0356
B	RTC211740G	BR 3476G	Con Rod Bearing Set .040 V8 AE	.0356
A	RTC2626	BR 0619	Main Bearing Set - Std 5 Bearing Crankshaft	.0380
B	RTC2626G	BR 0619G	Main Bearing Set - Std 5 Bearing Crankshaft AE	.0380
A	RTC262610	BR 0701	Main Bearing Set - .010 5 Bearing Crankshaft	.0402
B	RTC262610G	BR 0701G	Main Bearing Set - .010 5 Bearing Crankshaft AE	.0402
A	RTC262620	BR 0620	Main Bearing Set - .020 5 Bearing Crankshaft	.0424
A	RTC262620G	BR0620G	Main Bearing Set - .020 5 Bearing Crankshaft AE	.0424
A	RTC262630	BR 0703	Main Bearing Set - .030 5 Bearing Crankshaft	.0470
B	RTC262630G	BR 0703G	Main Bearing Set - .030 5 Bearing Crankshaft AE	.0470
A	RTC262640	BR 0704	Main Bearing Set - .040 5 Bearing Crankshaft	.0474
B	RTC262640G	BR 0704G	Main Bearing Set - .040 5 Bearing Crankshaft AE	.0474
A	RTC262650	RTC26265	Main - Bearing Set .50 5 Bearing Crankshaft	.0300
A	RTC2825	BR 0177	Thrust Washer Std (Pair)	.0036
B	RTC2825G	BR 0177G	Thrust Washer Std (Pair) AE	.0036
B	RTC5918	BR 1387	Camshaft Bearing Set V8 AE	.0242

Category	Rover No	BR No	Description	Unit Weight
----------	----------	-------	-------------	-------------



## ENGINE (GENERAL)

Category	Rover No	BR No	Description	Unit Weight
A	2995	BR 0213	Locker-Set Bolt	.0002
A	3748	BR 0229	Steel Ball	.010
A	9210	BR 0085	Locker	.0004
A	41049	BR 0091	Locker	.0006
A	42705	BR 0563	Bush - NLS after stock ends	.058
C	139082	139082	Adaptor	.026
A	218386	BR 0033	Bush - Hand Brake Lever	.022
A	230250	BR 0937	Core Plug	.164
A	230294	BR 0938	Oil Seal Retainer	.110
A	230313	BR 0940	Key - Woodruff Camshaft	.006
A	231348	BR 0588	Valve - Rocker Shaft 2.6	.106
A	231349	BR 0589	Valve - Rocker Shaft 2.6	.246
A	233419	BR 0066	Valve - SIng. Ring In Guide	.018
A	233427	BR 0973	Valve - Inlet	.104
A	233437	BR 0525	Bush - Select Gear Shaft V8	.033
A	234124	BR 0498	Bush for Idler Wheel 236067	.024
A	234534	BR 0135	Bush Use 8566L	.024
A	234734	BR 0025	Lock Washer	.012
A	235416	BR 0990	Plunger Gear Selector Shaft	.008
B	235770	BR 0054	Key - Woodruff Crankshaft	.008
A	236067	BR 0497	Idler Wheel Assembly	.000
A	239089	BR 0147	Rocker Shaft NLS	.000
A	240555	BR 0225	Oil Pump Gear	.330
A	240838	BR 0275	Bush	.002
A	247051	BR 0121	Cylinder Head Bolt 1/2"UNF x 4.9/16"	.108
C	247144	BR 0117	Manifold Stud	.012
A	247512	BR 1132	Piston Ring Petrol Scarper Std	.000
A	247614	BR 0110	Rocker Bush	.012
C	247631	BR 1145	Engine Breather Filter	.206
B	247653	BR 0136	Split Bush	.000
A	247665	BR 0089	Lock Washer	.002
A	247709	BR 1105	Camshaft for 2.25 Petrol	3.562
A	247737	BR 0260	Rocker Bush	.014
A	247738	BR 0259	Rocker Bush	.014
A	250840	BR 0203	Welch Plug	.014
A	264137	BR 0987	Valve - Exhaust	.076
A	264569	BR 1812	Gudgeon Pin Std.	.108
A	265169	BR 1814	Gudgeon Pin Petrol 2.25	.358
A	266924	BR 0064	Valve - In.V/Guide-NLS after stock end	.040
C	268292	BR 0341	Valve Cup	.022
A	268293	BR 0072	Valve Cotter	.002

Category	Rover No	BR No	Description	Unit Weight
A	272206	BR 1354	Valve Guide	.043
A	272498	BR 0200	Engine Foot Mounting	.259
A	272501	BR 0201	Engine Foot Mounting	.200
A	273306	BR 0550	Valve - Rocker Shaft 2.6	.348
A	273307	BR 0551	Valve - Rocker Shaft 2.6	.172
A	273521	273521	Bolt Banjo	.008
A	273711	BR 0230	Plunger	.040
A	274711	BR 3010	Camshaft - Diesel	3.486
A	274772	BR 2311	Valve - Exhaust Rocker Assembly LH DSL	.126
A	274773	BR 1843	Valve - Exhaust Rocker Assembly RH DSL	.126
A	274774	BR 1844	Valve - Inlet Rocker Assembly LH DSL	.126
A	274775	BR 2312	Valve - Inlet Rocker Assembly RH DSL	.126
A	275234	BR 1886	Vibration Damper for T/chain	.104
B	275679	BR 0640	Oil Pipe	.052
A	276133	BR 0255	Camshaft Chain Sprocket	.990
A	277388	BR 1367	Cylinder Assembly	.138
A	278109	BR 0226	Oil Pump Gear	.162
A	278286	BR 1131	Piston Ring Petrol Comp. Std	1.014
A	279785	BR 1181	Oil Pipe	.418
A	500132	BR 0894	Piston Ring Petrol Scraper .010	.000
A	500133	BR 0896	Piston Ring Petrol Scraper .020	.035
A	500134	BR 0898	Piston Ring Petrol Scraper .030	.000
A	500135	BR 0906	Piston Ring Petrol Scraper .040	.027
A	500136	BR 0893	Piston Ring Petrol Comp. .010	.072
A	500137	BR 0895	Piston Ring Petrol Comp. .020	.000
A	500138	BR 0897	Piston Ring Petrol Comp. .030	.000
A	500144	BR 0065	Valve Guide Exhaust	.044
A	502473	BR 3011	Tappet Guide	.189
A	503665	BR 0057	Starter Dog	.254
C	506799	BFG 78	Flywheel Ring Gear	.782
A	506814	BR 0144	Tappet Screw	.010
A	507025	BR 2204	Set Bolt for Tappet Adj.	.000
A	507829	BR 1911	Tappet Kit	.322
B	507829G	BR 1911G	Tappet Kit OEM	.322
A	510489	BFG 79	Flywheel Ring Gear	3.700
A	511834	BR 0632	Valve Guide Inlet 2.6	.033
A	511836	BR 0063	Valve Guide Exhaust	.042
A	511838	BR 0095	Valve Guide Petrol	.050
A	512206	BR 1929	Valve - Inlet Rocker Assembly RH PET	.140
A	512207	BR 1930	Valve - Exhaust Rocker Assembly LH PET	.140
A	512412	BR 1147	Core Plugstick of 7 Pieces	.020



**B  
E  
A  
R  
M  
A  
C  
H**

**ENGINE**

Category	Rover No	BR No	Description	Unit Weight
A	247607	247607	Screw	.0066
A	277956	277956	Rocker Dowel	.0003
B	554602	554602	Bracket for Rocker Shaft	.0210
A	ETC4460	ETC4460	Screw	.0006
A	512828	BR 1544	Valve - Insert	.0006
C	516059	BR 0241	Thermostat Housing	.0594
A	518809	BR 1048	Con Rod Assembly NLS If Stock Ends	1.048
A	522745	BR 0790	Bush - Oil Pump	.0000
A	524680	BR 0047	Shroud for Diesel Head	.0015
A	524765	BR 1679	Cup Plug	.0018
A	525124	BR 1190	Valve - Inlet 2.6	.0100
A	525428	BR 0205	Cup Plug	.0035
A	525497	BR 1744	Core Plug 15/16" Dia.	.0011
A	527167	BR 1962	Crankshaft Assembly Standard 3 Bearing	.26500
A	527269	BR 1411	Core Plug	.0026
A	528683	BR 1227	Lockwasher	.0012
A	532941	BR 1685	Swivel Pin	.0212
A	536514	BR 3385	Exhaust Manifold Diesel 4 stud	4.124
B	541860	BR 1280	Dip Stick Tube Assembly	.0075
B	546440	BR 1762	Breather Cap	.0174
B	546798	BR 1853	Valve - Push Rod Petrol 2.25	.0050
B	546799	BR 2176	Valve - Push Rod Diesel 2.25	.0194
B	549911	BR 1511	Crankshaft Bush	.0018
B	558168	BR 1010	Hot Plug	.0070
C	561954	BR 0132	Bush	.0072
C	563195	563195	Bolt Banjo	.0011
A	564226	BR 1214	Piston Ring Diesel O/control Std	.0020
A	564308	BR 0270	Manifold Clamp	.0028
A	564456	BR 0231	Spring	.0014
A	568333	BR 0626	Chain Wheel	.0276
A	568431	BFG 80	Flywheel Ring Gear	1.406
A	568588	BR 2122	Piston Ring Diesel Chrome Std	.0020
A	568686	BR 3024	Valve Guide Inlet	.0038
B	568686G	BR 3024G	Valve Guide Inlet OEM	.0038
A	567687	BR 3025	Valve Guide Exhaust	.0000
B	567687G	BR 3025G	Valve Guide Exhaust OEM	.0000
A	568688	BR 3386	Valve Guide Inlet Diesel	.0036
B	568688G	BR 3386G	Valve Guide Inlet Diesel OEM	.0036
A	568689	BR 3387	Valve Guide Exhaust Diesel	.0046
B	568689G	BR 3387G	Valve Guide Exhaust Diesel OEM	.0046
A	568858	BR 1459	Stem Rubber	.0007

Category	Rover No	BR No	Description	Unit Weight
A	574658	BR 0858	Breather Filter	.0200
A	587628	587628	Core Plug	.0026
C	596000	BR 1848	Inlet Manifold Assembly Ser3 PET	2.678
B	597586	597586	Cup Plug	.0008
A	598104	BR 1085	Exhaust Manifold Diesel 3 Stud	3.894
B	598214	598214	Oil Pump SHA	.0616
A	598231	BOPC 39	Oil Filler Cap	.0052
A	598473	BR 1894	Exhaust Manifold Assembly Ser3 PET	6.654
A	599552	599552	Plug Magnetic	.0012
A	600177	BR 1223	Thrust Washer Standard 2.6	.0036
A	600243	BR 2157	Flywheel Assembly Petrol 2.25	13.500
A	602152	602152	Cup Plug	.0020
A	602153	BR 3176	Valve - Rocker V8	.0062
A	602154	BR 3207	Valve - Rocker V8	.0062
A	602240	BR 3127	Valve - Outer Spring V8	.0050
A	602241	BR 3128	Valve - Inner Spring V8	.0032
B	602289	602289	Cup Plug	.0007
B	603378	BR 3133	Push Rod V8	.0054
A	603554	BR 3522	Valve Guide V8	.0050
A	605047	BR 1725	Piston Ring Diesel O/cntrl .010	.0030
A	605048	BR 1737	Piston Ring Diesel O/cntrl .020	.0010
A	605049	BR 1791	Piston Ring Diesel O/cntrl .030	.0000
A	605050	BR 1539	Piston Ring Diesel O/cntrl .040	.0000
A	605539	BR 1723	Piston Ring Diesel Chrome .010	.0026
A	605540	BR 1719	Piston Ring Diesel Chrome .020	.0023
A	605541	BR 1789	Piston Ring Diesel Chrome .030	.0022
A	605542	BR 1537	Piston Ring Diesel Chrome .040	.0022
A	606988	BR 1894A	Manifold Stud Kit Petrol 2.25	.0264
C	608327	BR 2282	Cylinder Block	.0000
B	610289	BR 3360	Chain Wheel V8	.0168
B	614037	BR 0228	Oil Pump Gear	.0130
B	614188	614188	Gear Distributor	.0160
A	625038	625038	Cap - Oil Filler	.0180
A	90500139	BR 0905	Piston Ring Petrol Comp. .040	.0000
B	90510730	BR 1921	Side Cover	.0910
A	90512144	BR 0485	Spring Cup	.0016
A	90512205	BR 1928	Valve - Inlet Rocker Assembly LH PET.	.0140
A	90512208	BR 1931	Valve - Exhaust Rocker Assembly RH PET	.0140
A	90515323	BR 2120	Piston for Chain Adj.	.0812
A	90515855	BR 1408	Bush	.0166
A	90517429	BR 2205	Follower	.0005



BEARINGMACH

Website - www.bearingmach.com

## ENGINE

Category	Rover No	BR No	Description	Unit Weight
A	90518100	BR 0123	Con Rod Bolt 2.6 Litre	.030
A	90520940	BR 1724	Piston Ring Diesel Tapered .010	.000
A	90520941	BR 1720	Piston Ring Diesel Tapered .020	.020
A	90520942	BR 1790	Piston Ring Diesel Tapered .030	.000
A	90520943	BR 1538	Piston Ring Diesel Tapered .040	.017
A	90520978	BR 1213	Piston Ring Diesel Tapered Std	.020
C	90564334	90564334	Oil Pump Assembly 6 Cylinder 2.6	.7042
B	90571086	90571086	Gear	.012
B	90602372	BR 3570	Timing Chain Wheel V8	.0152
A	47H5394	BR 1799	Oiler	.000
C	6395L	BR 0899	Dowel	.009
B	8566L	BR 0185	Bush - Flywheel	.024
B	BHM1171	BR 3677	Ring Set Std 8.25 V8 AE	.052
B	BHM117120	BR 3678	Ring Set .020 8.25 V8 AE	.052
C	ERC1561	BR 0941	Thrust Plate For Camshaft	.086
B	ERC3600	BR 1978	Crankshaft Pulley	.3496
B	ERC4672	ERC4672	Starting Dog	.000
A	ERC4949	BR 3215	Hydraulic Tappet V8	.0100
C	ERC4949G	BR 3215G	Hydraulic Tappet V8 OEM	.0100
A	ERC4996	BR 0062	Cup Plug Diesel	.035
A	ERC5014	BR 0833	Crankshaft Assembly 5 Bearing Engine	.25500
A	ERC5263N	BR 2005	Drop In 5 Bearing 2.25 Diesel Engine	.000
A	ERC5266	BR 2002H	Cylinder Head Petrol (H/C)	.30500
A	ERC5349	BR 1949	Crank Pulley Use BR 1970	.1790
A	ERC5900	BR 2002	Use ERC5266	.30500
A	ERC6341	BR 0915	Rocker Shaft	.0404
A	ERC6795	BR 1684	Valve - Inlet 2.25 Diesel	.094
C	ERC6821	BR 0276	Shim	.001
A	ERC7150	BR 1413	Valve - Inlet 2.25 Petrol	.0382
B	ERC7150G	BR 1413G	Valve - Inlet AE	.0382
A	ERC7151	BR 1414	Valve - Exhaust 2.25 Petrol	.0389
B	ERC7151G	BR 1414G	Valve - Exhaust AE	.0389
A	ERC7929	BR 3359	Timing Chain V8	.0430
A	ERC8663	BR 1587	Tube	.082
A	ERC8751	BR 0183	Con Rod Bolt	.038
C	ERC8980	ERC8980	Dipstick	.090
B	ERC9054	ERC9054	Screw	.010
A	ERC9055	BR 0418	Valve Rocker - Inlet	.0120
A	ERC9056	BR 0431	Valve Rocker - Inlet	.0120
A	ERC9059	BR 0432	Valve Rocker - Exhaust	.0120
A	ERC9060	BR 0436	Valve Rocker - Exhaust	.0120

Category	Rover No	BR No	Description	Unit Weight
B	ERC9102	ERC9102	Valve Rocker - Exhaust	.0120
B	ERC9103	ERC9103	Valve Rocker - Exhaust	.0120
B	ERC9106	ERC9106	Valve Rocker - Inlet	.0120
B	ERC9107	ERC9107	Valve Rocker - Inlet	.0120
A	ERC9188	BR 0718	Cylinder Liner	.1060
B	ERC9188G	BR 0718G	Cylinder Liner AE	.1060
B	ERC9359	BR 1000	Cylinder Head Diesel	.33500
A	ERC9448	BR 0191	End Plug	.044
C	ERR1454	BR 3281	Breather Cap	.0228
A	ERR4628	BR 0118	Valve Springs V8	.0064
B	ERR4640	BR 0069	Valve Spring 4 Cylinder	.0060
A	ERR599	BR 1961	Con Rod Assembly Petrol 2.25	.1248
A	ERR601	BR 2084	Con Rod Assembly Diesel 2.25	.1370
A	ERR850	BR 1926	Drive Shaft Oil Pump	.0358
A	ETC4067	BR 1290	Valve - Inlet	.0086
A	ETC4069	BR 3566	Valve Cotter Halves	.0001
C	ETC4498	ETC4498	Bolt Banjo	.0024
A	ETC4499	BR 0030	Timing Chain 4 Cylinder 2.25	.0584
B	ETC4499G	BR 0030G	Timing Chain 4 Cylinder 2.25 AE	.0584
A	ETC4749	BR 2306	Piston Assembly Std Diesel 2.25	.1114
B	ETC4749G	BR 2306G	Piston Assembly Std Diesel 2.25 AE	.1114
A	ETC474910	BR 1585	Piston Assembly .010 Diesel 2.25	.1188
B	ETC474910G	BR 1585G	Piston Assembly .010 Diesel 2.25 AE	.1188
A	ETC474920	BR 2307	Piston Assembly .020 Diesel 2.25	.1214
B	ETC474920G	BR 2307G	Piston Assembly .020 Diesel 2.25 AE	.1214
A	ETC474930	BR 1586	Piston Assembly .030 Diesel 2.25	.1222
B	ETC474930G	BR 1586G	Piston Assembly .030 Diesel 2.25 AE	.1222
A	ETC474940	BR 2308	Piston Assembly .040 Diesel 2.25	.1240
B	ETC474940G	BR 2308G	Piston Assembly .040 Diesel 2.25 AE	.1240
A	ETC5057	BR 1909	Tappet	.0037
B	ETC5190	BR 0950	Timing Chain Tensioner	.0250
A	ETC5191	BR 0051	Timing Chain 4 Cylinder	.0570
A	ETC5551	BR 0255	Chain Wheel for Camshaft	.0990
B	ETC6139	BR 1901	Vertical Drive With Bush	.0520
A	ETC6850L	BR 3358	Camshaft V8	.3184
A	ETC7128	BR 0834	Camshaft Petrol & Diesel	.3560
A	ETC7867	BR 2133	Oil Level Rod	.0052
A	RTC2186S	BR 3168	Piston Assembly Std 8.13:1 V8 AE	.0732
B	RTC218620	BR 3170	Piston Assembly .020 8.13:1 V8 AE	.0740
B	RTC218640	RTC21864	Piston Assembly .040 8.13:1 V8 AE	.0750
A	RTC2295S	BR 3161	Piston Assembly Std 9.35:1 V8 AE	.0754

PARTS SUITABLE FOR  
**LAND ROVER SERIES 2a & 3**





**B  
E  
A  
R  
M  
A  
C  
H**

**ENGINE**

Category	Rover No	BR No	Description	Unit Weight
B	RTC229520	BR 3163	Piston Assembly .020 9.35:1 V8 AE	.0754
B	RTC2408	BR 3679	Piston Ring Set Std 8.25:1 V8 AE	.0044
A	RTC240820	BR 3680	Piston Ring Set .020 8.25:1 V8 AE	.0044
B	RTC241120	RTC24112	Piston Ring Set .020 8.25:1 V8	.0056
B	RTC2663	RTC2663	Short Engine	.0000
A	RTC3111	BR 1938	Oil Pump Assembly	.4300
A	RTC3111G	BR 1938G	Oil Pump Assembly AE	.4300
A	RTC4188	BR 3082	Piston Assembly Std 2.25 Petrol	.0900
B	RTC4188G	BR 3082G	Piston Assembly Std 2.25 Petrol AE	.0900
A	RTC418810	BR 3083	Piston Assembly .010 2.25 Petrol	.0934
B	RTC418810G	BR 3083G	Piston Assembly .010 2.25 Petrol AE	.0934
A	RTC418820	BR 3084	Piston Assembly .020 2.25 Petrol	.0950
B	RTC418820G	BR 3084G	Piston Assembly .020 2.25 Petrol AE	.0950
A	RTC418830	BR 3085	Piston Assembly .030 2.25 Petrol	.0954
B	RTC418830G	BR 3085G	Piston Assembly .030 2.25 Petrol AE	.0954
A	RTC418840	BR 3086	Piston Assembly .040 2.25 Petrol	.0960
B	RTC418840G	BR 3086G	Piston Assembly .040 2.25 Petrol AE	.0960
B	RTC418860G	RTC41886	Piston Assembly .060 2.25 Petrol AE	.0960
A	RTC4190S	BR 1215	Piston Ring Set Std. Petrol	.0051
B	RTC4190G	BR 1215G	Piston Ring Set Std. Petrol AE	.0051
A	RTC419010	BR 1866	Piston Ring Set .010 Petrol	.0051

Category	Rover No	BR No	Description	Unit Weight
B	RTC419010G	BR 1866G	Piston Ring Set .010 Petrol AE	.0051
A	RTC419020	BR 1216	Piston Ring Set .020 Petrol	.0051
B	RTC419020G	BR 1216G	Piston Ring Set .020 Petrol AE	.0051
A	RTC419030	BR 1867	Piston Ring Set .030 Petrol	.0051
B	RTC419030G	BR 1867G	Piston Ring Set .030 Petrol AE	.0051
A	RTC419040	BR 1217	Piston Ring Set .040 Petrol	.0051
B	RTC419040G	BR 1217G	Piston Ring Set .040 Petrol AE	.0051
A	RTC4193S	BR 1205	Piston Ring Set Std. Diesel	.0080
B	RTC4193G	BR 1205G	Piston Ring Set Std. Diesel AE	.0080
A	RTC419310	BR 1864	Piston Ring Set .010 Diesel	.0080
B	RTC419310G	BR 1864G	Piston Ring Set .010 Diesel AE	.0080
A	RTC419320	BR 1206	Piston Ring Set .020 Diesel	.0080
B	RTC419320G	BR 1206G	Piston Ring Set .020 Diesel AE	.0080
A	RTC419330	BR 1865	Piston Ring Set .030 Diesel	.0080
B	RTC419330G	BR 1865G	Piston Ring Set .030 Diesel AE	.0080
A	RTC419340	BR 1207	Piston Ring Set .040 Diesel	.0080
B	RTC419340G	BR 1207G	Piston Ring Set .040 Diesel AE	.0080
A	RTC4250	BR 0202	Core Plug	.0046
A	RTC4841	BR 2130	Sump 2.25 Petrol & Diesel	.5720
A	STC1119	BR 1191	Valve - Exhaust Valve 2.6	.0122
A	STC1127	BR 1683	Valve - Exhaust 2.25 Diesel	.0093



**B  
E  
A  
R  
M  
A  
C  
H**

Website – [www.bearingmach.com](http://www.bearingmach.com)

**EXHAUST**

Category	Rover No	BR No	Description	Unit Weight
A	239710	BR 1022	Exhaust Clamp Plate	.0046
A	239711	BR 2341	Exhaust Pipe Bracket LHD	.0059
A	239712	BR 2166	Exhaust Pipe Bracket RHD	.0222
A	239715	BR 3036	Exhaust Clamp Plate	.0035
A	239716	BR 3048	Exhaust - Bracket	.0222
A	239717	BR 2340	Exhaust Fitting Kit	.0000
A	240087	BR 2167	Exhaust Saddle Clamp	.0097
A	244009	BR 0316	Distance Piece	.0002
B	244449	BR 1114	Exhaust - Connecting Pipe	.1980
B	264195	BR 1295	Exhaust - Connecting Pipe	.2104
A	276141	BR 1391	Exhaust - Connecting Pipe	.2940
A	500289	BR 1438	Exhaust - Connecting Pipe	.1636
A	503456	BR 3552	Exhaust - Connecting Pipe	.1674
A	505826	BR 1462	Exhaust - Pipe Front NLS	.0000
A	505853	BR 1461	Exhaust - Pipe Front	.0000
A	505855	BR 1604	Exhaust - Pipe Front	.3356
A	517469	BR 1592	Exhaust - Pipe Front	.2924
A	517632	BR 1593	Exhaust - Pipe Front	.3210
B	543193	BR 1381	Exhaust - Tail Pipe & Silencer 2.6 FWC	.0000
A	555111	BR 1026	Exhaust - Clamp Plate	.0146
B	562731	BR 1112	Exhaust - Tail pipe & silencer Assembly RHD	.0000
B	562737	BR 2254	Exhaust - Silencer Box 2.6	.6000
B	562785	BR 2253	Exhaust - Connecting Pipe 2.6	.0000
A	562858	BR 1353	Exhaust Pipe Front	.3300
B	562885	BR 2252	Exhaust Pipe Front 2.6	.3214
A	592778	BFM 235	Exhaust Strap	.0034
B	598539	BR 1113	Exhaust - Tailpipe & Silencer Assembly LHD.	.5996
A	598540	BR 1355	Exhaust - Tail Pipe Use 598539	.6000
A	599378	BR 3554	Exhaust - Tail Pipe & Silencer Assembly	.5532
A	624196	BR 1761	Exhaust - Pipe Front	.3252
A	624253	BR 1356	Exhaust - Tail Pipe & Silencer (op.system)	.6882
A	624268	BR 1359	Exhaust - Tail Pipe & Silencer (op.system)	.0000
A	90517567	BR 1167	Exhaust - Pipe Clamp	.0044
A	90569214	BR 2251	Exhaust - Tail Pipe 2.6	.2550
A	90624131	BR 1369	Exhaust - Pipe Front	.2842
A	BR 1112S	BR 1112S	Exhaust - Stainless Rear Box	.3000
A	BR 1113S	BR 1113S	Exhaust - Stainless Steel	.4810
A	BR 1295S	BR 1295S	Exhaust - Stainless Steel	.0000
A	BR 1592S	BR 1592S	Exhaust - Stainless Steel	.2246
A	BR 1761S	BR 1761S	Exhaust - Stainless Steel	.2110
A	BR 3552S	BR 3552S	Exhaust - Stainless Steel	.1410

Category	Rover No	BR No	Description	Unit Weight
A	BR 3554S	BR 3554S	Exhaust - Stainless Steel	.3720
A	NRC2900	BR 3293	Exhaust - Rear Tailpipe	.0000
B	NRC3195	BR 0783	Exhaust - Down Pipe	.1706
B	NRC4361	BR 1563	Exhaust - Silencer	.7482
B	NRC4363	BR 1560	Exhaust - Silencer & Tailpipe	.0000
A	NTC2278	NTC2278	Exhaust - Pipe Clamp	.0040
B	NTC2802	BR 2033	Exhaust	.1296
B	NTC3226	BR 2032	Exhaust	.0000
A	STC1113	BR 1040	Exhaust - Pipe Clamp	.0288

PARTS SUITABLE FOR  
**LAND ROVER SERIES 2a & 3**



**B  
E  
A  
R  
M  
A  
C  
H**

**FASTENERS**

Category	Rover No	BR No	Description	Unit Weight
A	1510	BR 0040	Screw Brake Drum	.008
A	1565	BR 0823B	Bolt 3/8" BSF x 13/16"	.022
A	2102	BR 0914	Nut - NLS after Stock Ends	.012
A	2393	BR 0868	Split Pin	.088
A	2500	BR 0206	Locker	.001
A	2822	BR 0403	Nut Castle	.012
A	2828	BR 0344	Nut - NLS after stock ends	.384
A	3236	BR 0879	Stud	.000
A	3238	BR 0880	Stud Short	.020
A	3259	BR 0611	Nut - Driving Member	.034
A	3650	BR 0045	Stud - Flywheel Housing	.018
A	3783	BR 0891	Nut	.002
A	3819	BR 0519	Nut 1/4" BSF	.004
A	4023	4023	Nut	.001
A	4063	BR 1339	Split pin	.005
A	8185	BR 0074	Washer - Plain	.012
A	9179	BR 0581	Washer - NLS after stock ends	.000
A	9960	BR 0725	Circlip	.022
B	40742	BR 0846	Bolt 7/16" BSF x 2.3/16"	.000
A	50528	BR 0001	Nut - Plain 1/2 BSF	.022
A	52246	BR 0449	Screw	.000
C	55778	BR 0458	Stud	.220
A	56102	BR 0402	Spring	.004
A	78276	78276	Screw	.002
A	78401	BR 3160	Screw	.006
A	78905	BR 1573	Screw	.001
A	78924	BR 1581	Screw	.001
B	79051	79051	Nut	.001
C	79221	BR 0140	Screw - Door Hinge	.020
A	213416	BR 0518	Lock Nut	.078
A	213700	BR 0011	Dowel	.004
A	214278	BR 0399	Nut for Ignition Cable	.000
A	214795	BR 3377	Circlip	.006
C	215331	BR 0415	Bolt 3/8" BSF x 1.19/32"	.030
A	216962	BR 0048	Circlip	.018
A	217525	BR 0419	Circlip	.002
A	217546	BR 0920	Circlip	.016
A	217564	BR 0414	Bolt	.014
A	217781	BR 0757	Lock Washer	.006
A	217977	BR 0421	Stud	.014
A	217978	BR 0423	Stud	.008

Category	Rover No	BR No	Description	Unit Weight
A	219797	BR 0728	Circlip	.006
A	231393	BR 0324	Spring	.045
A	233211	BR 0393	Spring	.002
A	233241	BR 0719	Lock Dog	.544
A	233326	BR 0972	Spring	.020
A	233449	BR 0523	Spring	.678
B	237119	BR 1005	Bolt	.002
A	237160	BR 0320	Bolt 5/16" BSF x 1"	.014
B	237161	BR 1007	Bolt 5/16" BSF x 5/8"	.000
A	237251	BR 1011	Stud	.028
A	237339	BR 0538	Bolt 3/8" BSF x 1"	.022
A	237357	BR 2268	Bolt 7/16" BSF x 1.3/8"	.038
A	241324	BR 0001S	Nut - Nyloc 1/2" BSF	.026
A	241839	BR 2044	Lock Plate	.008
A	242117	BR 1064	Washer	.001
A	242522	BR 1069	Circlip	.056
C	243022	BR 1082	Plain Washer	.030
A	243130	BR 0020	Spring-Centre Bolt & Nut	.056
A	247040	BR 0187	Spring	.010
A	247121	BR 1130	Nut - Dome	.008
A	247135	BR 1119	Bolt - Flywheel 7/16" UNF x 7/8	.026
C	247145	BR 1133	Stud	.020
A	247146	BR 1134	Stud	.000
A	247166	BR 0724	Bolt	.020
C	247199	BR 0785	Bolt	.040
A	247208	BR 1136	Stud	.000
B	247683	247683	Bolt - Cylinder Head 2.25D	.076
A	247723	247723	Bolt - Cylinder Head 2.25D	.000
A	247742	BR 1148	Circlip	.020
A	247874	BR 1153	Washer Outlet Pipe	.000
A	248720	BR 1158	Bolt	.070
A	250431	BR 0382	Nut - Wing	.006
A	250518	BR 0737	Bolt - Set	.012
A	251320	BR 1172	Nut - Nyloc	.006
A	251321	BR 1173	Nut - Nyloc 5/16" BSF	.012
A	251322	BR 0521	Nut - Nyloc 3/8" BSF	.010
A	251323	BR 0006	Nut - Nyloc 7/16" BSF	.016
A	251324	251324	Nut	.028
A	251601	BR 1176	Nut - Castle 5/16" BSF	.005
A	252165	BR 0740	Nut - Nyloc 9/16" UNF	.028
A	252621	BR 0269	Stud	.010

Tel: +44 (0)29 20 856 550



BEARMACH

Website - www.bearmach.com

## FASTENERS

Category	Rover No	BR No	Description	Unit Weight
A	252622	BR 0160	Stud	.0012
A	252623	252623	Stud	.0012
A	253826	BR 0434	Bolt - 7/16" UNF x 7.1/4"	.0138
A	254862	BR 0435	Nut - Plain 3/8 UNF	.0008
A	255226	BR 0476	Bolt - 5/16 UNF x 3/4"	.0012
A	255229	BR 0684	Bolt - 5/16" UNF x 1.1/8"	.0014
A	255245	BR 0315	Bolt - 3/8" UNF x 3/4	.0016
A	255249	BR 0157	Bolt - 3/8" UNF x 1.1/4"	.0018
A	255427	BR 0478	Bolt - Set Use BR 0155	.0012
A	256233	BR 0153	Bolt - 5/16" UNF x 3.3/4"	.0040
A	260031	BR 1197	Main nut - NLS after stock end	.0000
A	265175	BR 0722	Circlip	.0002
A	265461	BR 0014	Bolt & Nut Centre for Spring	.0030
C	266945	BR 1316	Circlip	.0002
A	267451	BR 1319	Spring	.0005
A	269413	BR 1337	Stud for Housing	.0010
A	269889	269889	Sealing Washer	.0003
A	271014	BR 1557	Washer	.0004
C	272729	BR 0390	Retaining Spring	.0012
A	272934	BR 0627	Bolt	.0024
A	273271	BR 0685	Bolt	.0072
A	276482	BR 3007	Nut - Castle 7/16" UNF	.0000
A	277455	BR 0575	Pedal Spring	.0036
A	277502	BR 1412	Accelerator Spring	.0020
A	279648	BR 0126	Bolt - Set	.0074
B	279650	BR 0122	Bolt - Set	.0162
C	303750	BR 0681	Bolt - Special	.0006
A	310589	BR 0483	Hose Clip	.0038
A	330957	BR 1267	Nut - Hinge	.0003
A	502116	BR 0687	Dowel	.0006
A	504007	BR 1521	Bolt - Set	.0000
A	509046	BR 0410	Bolt - 3/8" UNF x 1.7/32"	.0022
A	515291	BR 1597	Screw	.0005
A	524769	BR 0263	Screw	.0001
A	525389	BR 1681	Washer	.0008
A	525500	BR 0411	Bolt - 5/16" UNF x 2.3/4"	.0030
A	526225	BR 1225	Stud	.0046
A	528691	BR 1067	Nut - 3/4" UNF	.0035
A	528692	BR 1065	Washer - Plain	.0017
A	530135	BR 1642	Stud	.0032
A	531043	BR 1707	Stud	.0036

Category	Rover No	BR No	Description	Unit Weight
A	531494	BR 1705	Stud	.0046
A	540524	BR 0823	Long NLS after stock ends	.0068
A	540842	BR 0916	Bolt - Special	.0088
A	543108	BSC 098	'U' Bolt - Front 109" up to Suffix C	.0300
A	543819	BR 1492	Washer	.0008
A	546197	BR 1313	Washer	.0002
A	549169	BR 2050	Screw - Special	.0015
A	549229	BR 0151	Grease Nipple	.0000
A	549232	BR 0211	Shim	.0014
A	549473	BR 2143	Circlip	.0004
A	557523	BR 1420	Locking Plate	.0001
A	561195	BR 2242	Bolt - Special	.0020
A	561196	BR 2243	Bolt - Special	.0028
A	561221	BR 1328	Sel. Spring	.0010
B	562953	BR 0194	Battery Fixing Rod	.0050
A	568664	BR 1446	Stud - Exhaust Pipe	.0014
A	569291	BR 2363	Spring	.0032
B	571916	BR 0312	Bolt - Set	.0010
A	574048	BR 1572	Stud - Manifold	.0036
A	576521	BR 0398	Bolt - 3/8" BSF x 1.3/8"	.0028
A	576907	576907	Washer	.0000
A	587726	BR 0427	Stud	.0028
A	593692	BR 3516	Bolt - 3/8 UNF x 1.1/8"	.0020
B	593693	BR 3517	Washer	.0003
A	594104	BR 0739	Nut - 7/16" BSF	.1014
A	596097	BR 0429	Stud	.0016
A	601845	BR 1546	Screw - Butterfly	.0001
C	602061	BR 2344	Nut - Special	.0004
A	607165	BR 1804	Bolt - M12 x 50	.0055
A	607173	BR 1805	Bolt	.0020
A	608004	608004	Screw	.0001
A	90212104	BR 0468	Stud - Inlet Manifold	.0006
A	90217976	BR 0422	Stud	.0024
A	90508152	BR 0035	Stud	.0022
A	90508153	BR 0036	Stud	.0024
A	90512701	BR 0780	Bolt 3/8 UNF x 1.3/16"	.0022
C	90576510	BR 0733	Bolt 3/8" BSF x 1.1/4"	.0026
A	90601848	BR 1850	Screw - Volume Control for Carburettor	.0006
A	90608545	90608545	Locknut for Pinion	.0000
A	3300L	BR 0883	Washer - Plain	.1120
A	3830L	BR 2069	Washer - Plain	.0002

PARTS SUITABLE FOR  
**LAND ROVER SERIES 2a & 3**



**B  
E  
A  
R  
M  
A  
C  
H**

**FASTENERS**

Category	Rover No	BR No	Description	Unit Weight
A	509045P	BR 0686	Bolt - Prop 3/8" UNF x 1.1/8"	.022
A	AB606022L	BR 0425	Screw	.028
A	AB606041L	AB606041	Screw	.007
A	AB606061L	BR 0107	Screw	.001
A	AB610061L	BR 1032	Screw	.003
B	AB614061L	AB614061	Screw - Tap	.006
C	AC606041L	BR 0142	Screw - No.6 x 1/2"	.000
A	AC610121L	BR 0106	Screw - Fixing Radiator Grille	.000
A	AFU1386	BR 0322	Bolt	.080
B	BH106051L	BH106051	Bolt - Connecting	.008
A	BH106141L	BR 0829	Bolt - M6 x 70	.016
A	BH110081L	BR 1951	Bolt - M10 x 40	.034
A	BH110091L	BR 3601	Bolt - Bracket to Chassis	.036
A	BH110121L	BR 3600	Bolt - Bracket to Chassis	.042
A	BH506121L	BR 1425	Bolt	.022
A	BH506161L	BR 1449	Bolt	.022
A	BH604101L	BR 1786	Bolt	.010
A	BH604121L	BR 0313	Bolt - 1/4 UNC x 1.1/2"	.011
A	BH604161L	BR 0247	Bolt - 1/4 UNF x 2"	.014
A	BH604201L	BR 0692	Bolt - 1/4" UNF x 2.1/2"	.018
A	BH605101L	BR 0321B	Bolt - 5/16" UNF x 1.1/4"	.016
A	BH605121L	BR 3060	Bolt - 5/16" UNF x 1.1/2"	.018
A	BH605141L	BR 2267	Bolt - 5/16" UNF x 1.5/8"	.020
A	BH605161L	BR 1183	Bolt - Set 5/16" UNF x 2"	.020
A	BH605221L	BR 1184	Bolt - 5/16" UNF x 2.3/4"	.030
A	BH605241L	BR 1185	Bolt - 5/16" UNF x 3"	.032
A	BH605261L	BR 1186	Bolt - 5/16" UNF x 3.1/4"	.034
A	BH606121L	BR 0683	Bolt	.000
A	BH606141L	BR 1187	Bolt - 3/8" UNF x 1.3/4"	.028
A	BH608241L	BR 0689	Bolt - 1/2" UNF x 3" HT	.088
B	BT606101L	BT606101	Bolt - 3/8" UNF x	.008
A	BX405075	BR 0691	Bolt - 5/16" BSF x 7/8"	.000
A	BX605111L	BR 1189	Bolt - 5/16" UNF x 1.3/8"	.016
A	BX607181	BR 1195	Bolt - 7/16" UNF x 2.1/4"	.058
A	C3964L	BR 0817	Circlip	.001
A	CCN110L	BR 1927	Circlip	.001
B	CCN112L	BR 0112	Circlip	.000
A	CCN122	BR 0367	Circlip	.004
A	ERC7295	ERC7295	Plug	.010
A	ETC4140	BR 0389	Washer	.054
A	ETC4141	BR 0325	Bolt	.024

Category	Rover No	BR No	Description	Unit Weight
B	ETC4246	ETC4246	Bolt Special	.015
A	FN108041L	BR 1423	Nut For U-Bolt M8	.009
A	FN110041L	BR 1424	Nut Plain	.010
B	FRC1034	BR 3530	Washer	.004
B	FRC1035	BR 3531	Circlip	.002
A	FS106101L	BR 0818	Bolt	.006
A	FS108161L	BR 0932	Bolt	.012
A	FS108251L	BR 0801	Screw	.014
A	FTC3456	BR 0042	Bolt - Axle Case	.010
A	HN2005L	BR 0010	Nut	.001
A	MRC1980	MRC1980	Washer	.000
A	MRC2178	BR 1177	Nut - Captive	.006
C	MRC2762	BR 0161	Screw	.020
C	MRC9417	MRC9417	Nut - Retainer	.020
A	NH406041L	BR 0738	Nut - 3/8" BSF	.008
A	NH604041L	BR 0623	Nut	.002
A	NH605041L	BR 1097	Nut - Special Use BR 321N	.004
A	NH606041L	BR 0321N	Nut - 5/16" UNF	.004
A	NH607061L	BR 0440	Nut - 7/16" UNF	.012
A	NH608061L	BR 0437	Nut - 1/2" UNF	.016
A	NH610041L	BR 0641	Nut - Use FNZ 110	.006
A	NN106021	BR 1946	Nut - Captive	.004
A	NRC2384	BR 3049	Bolt - 3/8" UNF x 4"	.060
A	NRC3882	BR 1407	U-Bolt Front 1 Ton 4 & 6 Cylinder	.294
A	NRC4516	BR 0448	Washer	.128
A	NRC7064	BR 0433	Bolt 7/16" UNF x 6.1/2"	.132
A	NT108041L	BR 0050	Nut - Hexagon	.004
A	NT605061L	BR 1549	Nut - 5/16" UNF	.004
A	NT606041L	NT606041	Nut	.004
A	NT612061	BR 0443	Nut - 3/4" UNF	.054
A	NY106041L	BR 1262	Nut - Nyloc	.003
A	NY108041L	BR 1250	Nut - Nyloc 8 M	.006
A	NY110041L	BR 0317	Nut - U-Bolt M 10	.012
A	NY112041L	BR 1426	Nut - U-Bolt M 12	.017
A	NY120041L	BR 3484	Nut - Nyloc	.062
A	NY604041L	BR 2263	Nut - Nyloc 1/4" UNF	.004
A	NY605041L	BR 0520	Nut - Nyloc 5/16" UNF	.008
A	NY607041L	BR 1179	Nut - Nyloc 7/16" UNF	.010
A	NY608041L	BR 1180	Nut - Nyloc Ball Joint 1/2" UNF	.020
A	NZ606041L	BR 1552	Nut - Nyloc 3/8" UNF	.008
A	PS607120L	BR 1035	Split Pin	.002

Tel: +44 (0)29 20 856 550



**B  
E  
A  
R  
I  
N  
G  
M  
A  
C  
H**

Website - [www.bearingmach.com](http://www.bearingmach.com)

**FASTENERS**

Category	Rover No	BR No	Description	Unit Weight
A	PS608101L	BR 0869	Split Pin	.002
C	RA612183	BR 0162	Pop Rivets	.002
A	RTC166	BR 2666	Lockwasher	.000
A	RTC1961	BR 0037	Pin	.036
C	RTC1963	BR 0460	Lock Washer	.012
A	RTC1964	BR 0189	Screw - Locating	.002
A	RTC1983	BR 0333	Nut - Slotted 1/2" BSF"	.018
A	RTC1984	BR 0673	Circlip	.042
C	RTC3519	BR 1349	Fixing Clip	.051
A	RTC3629	BR 0761	Nut - Brass 5/16" UNF Manifold	.006
C	RTC3744	RTC3744	Nut - Locknut	.002
C	RTC3745	RTC3745	Nut - Locknut	.004
A	RTC608	BR 0867	Nut - Lock 2BA	.001
A	RTC609	BR 3065	Washer	.001
A	RTC773	BR 0573	Bolt Special	.042
A	SF106161L	SF106161	Screw	.000
A	SH105121L	BR 0807	Screw	.002
A	SH106121L	BR 0841	Bolt	.005
A	SH108701L	SH108701	Screw	.028
A	SH110251L	SH110251	Screw	.026
A	SH112251L	SH112251	Screw M12 x 25	.036
A	SH505051L	BR 0430	Bolt - 5/16" UNC x 5/8"	.010
A	SH505071L	BR 0974	Bolt - 5/16" UNC x 7/8"	.012
A	SH506071L	BR 0967	Bolt	.018
A	SH604061L	BR 0444	Bolt - 1/4" UNF x 5/8"	.006
A	SH604061L	BR 0445	Bolt - 1/4" UNF x 3/4"	.006
A	SH604071L	BR 0446	Bolt - 1/4" UNF x 7/8"	1.008
A	SH604081L	BR 0621	Bolt - 1/4" UNF x 1"	.008
A	SH604101L	BR 0008	Bolt - 1/4" UNF x 1.1/8"	.008
A	SH605051L	BR 0447	Bolt - 5/16" UNF x 5/8"	.010
A	SH605061L	BR 1294	Screw 5/16" UNF x 3/4"	.011
A	SH605071L	BR 0155	Bolt - 5/16" UNF x 7/8"	.012
A	SH605081L	BR 0321	Bolt - 5/16" x 1 UNF	.012
A	SH605091L	BR 0138	Bolt	.008
A	SH606071L	BR 0680	Bolt - 3/8" UNF x 7/8"	.018
A	SH606081L	BR 0682	Bolt	.020
C	SH606091L	BR 0477	Bolt - 3/8" UNF x 1.1/8"	1.022
A	SH607101L	BR 0158	Bolt	.000
B	SH608081L	BR 0471	Bolt - 1/2" UNF x 1"	.038
A	TE108051L	BR 0350	Stud - M8 x 36	.011
A	TE108071L	BR 0803	Manifold Stud	.016

Category	Rover No	BR No	Description	Unit Weight
A	WA108051L	BR 3581	Washer - Plain	.002
A	WF600041L	BR 0490	Washer	.028
B	WM106001L	BR 3584	Spring Washer	.001
A	WM600041L	BR 0622	Spring Washer	.046
B	WM600051L	BR 2068	Spring Washer	.040

PARTS SUITABLE FOR  
**LAND ROVER SERIES 2a & 3**





**B  
E  
A  
R  
M  
A  
C  
H**

**FILTERS**

Category	Rover No	BR No	Description	Unit Weight
A	247664	BR 1947	Filter - Oil Basket for Oil Pump	.0.276
A	279652	BR 2173	Filter - Air Cleaner	.0.000
A	517903	BR 1608	Filter - Air Hose	.0.612
A	537229	BR 1735	Filter - Housing Assembly Oil	.0.000
B	563190	BF 410	Filter Assembly - Fuel	.0.584
A	600401	BR 1464	Filter - Oil Container used with 600613	.0.512
B	600613	BR 1764	Filter - Air Element	.0.508
A	603330	BR 3132	Filter - Flame Trap	.0.042
B	90513591	BR 0003	Filter - Oil	.1.520
B	ERC7530	ERC7530	Filter - Oil Pump Strainer	.0.430
B	GFE169	BF 428	Filter - Oil	.0.478
B	JS660L	BF 348	Filter - Fuel Element	.0.056
A	RTC3183	BF 167	Filter - Oil Element	.0.266
A	RTC3184	BF 210	Filter - Oil Element	.0.200
B	RTC3184G	BF 210G	Filter - Oil Element COOPERS	.0.200
A	RTC3185	BF 145	Filter - Oil Element	.0.260
B	RTC6079	BF 285	Filter - Fuel Element	.0.174

Category	Rover No	BR No	Description	Unit Weight
----------	----------	-------	-------------	-------------

Tel: +44 (0)29 20 856 550



**FUEL SYSTEM**

Category	Rover No	BR No	Description	Unit Weight
C	108771	108771	Retainer Sediment	.0046
A	231261	BR 0093	Ball Joint	.0028
A	236891	BR 1001	Filter Bowl	.0114
A	236896	BR 1003	Filter Bowl NLS After Stock Ends	.0140
A	247726	BR 0267	Injector Nozzle Diesel	.0034
B	247726G	BR 0267G	Injector Nozzle Diesel CAV	.0034
A	260164	BR 0752	Valve Needle	.0000
A	264664	BR 1306	Carburettor NLS	.0000
A	266693	BR 1312	Carburettor Kit	.0074
A	275377	BOP 16	Fuel Pipe Series 2	.0098
A	276267	BOP 17	Fuel Pipe NLS	.0000
A	277260	BOPC 19	Filler Cap	.0170
C	278162	BR 2171	Carburettor Packing	.0046
A	502982	BR 0351	Torsion Spring	.0006
A	503903	BR 1500	Filter Gauze	.0001
A	503912	BR 1508	Carburettor Float - NLS after stock end	.0042
A	504655	BOPC 38	Filler Cap	.0182
A	506210	BR 0629	Ball Joint	.0024
A	507687	BR 1542	Carburettor Repair Kit	.0192
A	507693	BR 1543	Carburettor Gasket Kit	.0000
A	509925	BR 1182	Fuel Pipe	.0052
A	515599	BR 0671	Copper Washer	.0002
B	527010	BR 0240	Petrol Pipe	.0048
A	543764	BR 0855	Hose for Fuel Tank	.0452
B	550324	BR 1226	Fuel Pump Assembly Mechanical	.0000
A	550471	BR 2271	Fuel Pipe	.0056
A	552223	BR 2337	Torsion Spring	.0006
A	552436	BR 1231	Fuel Pipe	.0104
C	554175	554175	Adaptor Carburettor	.0282
A	554418	554418	Rubber Seal	.0052
A	555845	BR 2325	Tank Gauge Diesel up to Suffix B	.0280
A	555846	BR 2302	Tank Gauge Petrol SW up to Suffix B	.0138
A	555847	BR 2326	Tank Gauge Diesel SW up to Suffix B	.0200
B	557432	BR 0349	Petrol Pipe	.0054
A	563146	BR 3035	Diesel Fuel Pump Assembly	.0556
A	563165	BR 0773	Injection Pipe	.0090
A	563166	BR 0774	Injection Pipe	.0086
A	563167	BR 0775	Injection Pipe	.0088
A	563168	BR 0787	Injection Pipe	.0088
B	563190	BF 410	Fuel Filter Assembly	.0584
B	564332	BR 2305	Diesel Injector Assembly	.0462

Category	Rover No	BR No	Description	Unit Weight
A	564898	BR 1475	Fuel Pipe	.0060
B	564899	BR 1476	Fuel Pipe	.0060
A	564902	BR 1506	Fuel Pipe	.0056
B	564905	BR 1505	Fuel Pipe	.0026
B	564907	BR 1431	Fuel Pipe	.0060
B	564962	BR 0962	Fuel Pipe	.0076
A	587686	BR 1499	Fuel Pipe & Connection	.0044
A	599447	BR 1756	Fuel Pipe Assembly Tank to Pump	.0108
B	601834	601834	Carburettor Body	.0814
B	601835	BR 2339	Carburettor Spindle	.0000
A	601844	BR 1494	Carburettor Butterfly	.0008
B	601856	601856	Piston Assembly	.0018
B	601858	BR 3071	Float	.0028
B	601859	601859	Pivot	.0004
A	601879	BR 2233	Diaphragm	.0003
A	601895	BR 1484	Small Jet	.0000
B	601899	601899	Pump Jet	.0000
A	601900	BR 1529	Valve Jet Assembly	.0012
A	605092	BR 2247	Overhaul Kit for Zenith Carburettor	.0076
A	605857	605857	Gasket Kit	.0027
B	606098	BR 2287	Overhaul Kit for 2.6 up to Suffix B	.0152
B	606319	606319	Emulsion Block	.0270
A	611109	BR 3226	Breather Hose	.0016
A	611110	BR 3229	Breather Hose	.0015
A	611113	611113	Hose	.0260
A	611114	BR 3228	Flame Trap Hose	.0039
A	623097	BR 2324	Tank Gauge Petrol 109" Suffix C on	.0220
A	623098	BR 1627	Tank Gauge Diesel 109" Suffix C on	.0228
A	90509556	BR 1915	Control Rod - NLS after stock ends	.0032
A	90509730	BR 2150	Connection Hose	.0102
A	90560612	BR 2301	Tank Gauge Petrol up to Suffix B	.0268
A	1481L	BR 0756	Ball Joint	.0000
A	18G8245	18G8245	Fuel Pump Repair Kit	.0980
A	18G8246	BR 1680	Overhaul kit for 2.25 Petrol	.0144
A	90515552E	BR 1677	Diesel Injector Assembly up to Suffix J (Recon only)	.0000
A	AAU1484	BR 3139	Needle Valve	.0014
A	AAU2003	BR 1709	Ball Socket	.0016
A	AAU2967	AAU2967	Overhaul Kit	.0036
C	AAU7219L	AAU7219L	Emission Pack	.0026
A	AEU2760	BE 0980	Repair Kit for 2.25 petrol	.0108
A	ARA1501L	BR 1488	Lock Ring	.0012



**B  
E  
A  
R  
M  
A  
C  
H**

**FUEL SYSTEM**

Category	Rover No	BR No	Description	Unit Weight
A	AUB79	BR 1324	Fuel Pump - Electric NLS	.0.000
A	AUD81	BR 1305	Carburettor S.U. type	.0.000
B	AZX1501	BR 2244	Dual Fuel Pump 2.6	.2.010
A	BHM1079L	BR 1338	Needle Valve Kit Stromberg	.0.014
A	BOPC 19	BOPC 19	Use BOPC 19 Filler Cap	.0.170
A	BR 1409E	BR 1409E	Injector Pump 2.25 EXCHANGE	.5.150
A	BR 1677E	BR 1677E	Injector Assembly EXCHANGE	.0.000
B	BR 2238K	BR 2238K	Weber Carburettor. Repair Kit	.0.028
A	BR 3039	BR 3039	Use AEU2760	.0.442
B	ERC2886	BR 2238	Carburettor - 36 IV Zenith/Solex OEM	.1.948
A	ERC2886S	BR 2237	Carburettor - 36 IV New Replacement	.1.948
B	ERC3304W	BR 2238W	Carburettor Assembly Webber type	.2.250
B	ERC4480	BR 1501	Leak-Off Pipe	.0.036
B	ERC6604	BR 1409	Dist. Pump Assembly Cable opp. RECONDITIONED	.5.150
C	ERC7744	BR 0598	Throttle Linkage	.0.048
A	ERC9594	BR 1228	Fuel Pump AC Type	.0.728
A	JS499L	BR 0778	Diaphragm	.0.010
B	NRC25	BR 1502	Fuel Pipe	.0.075
A	NRC7725	BR 0813	Hose for Fuel Tank	.0.266
B	PRC3901	BR 3100	Fuel Pump - Electric	.0.776
A	RTC1481	BR 1591	Carburettor Gasket Kit	.0.012
B	RTC2038	BR 1648	Carburettor Assembly NLS - Obsolete	.3.434
A	RTC2038	BR 1759	Carburettor List NLS - Obsolete	.0.000
C	RTC253	RTC253	Filler Cap	.0.028
B	RTC6806	RTC6806	Fuel Pump Kit	.0.598

Category	Rover No	BR No	Description	Unit Weight
----------	----------	-------	-------------	-------------

Tel: +44 (0)29 20 856 550



**GASKETS**

Category	Rover No	BR No	Description	Unit Weight
A	7316	BR 0522	Joint Washer - Differential	.008
A	9118	BR 0079	Joint Washer	.002
B	50216	BR 0480	Joint Washer	.001
A	213358	BR 0220	Joint Washer Exhaust Pipe	.012
A	213961	BR 2297	Joint Washer	.003
A	217985	BR 0533	Felt Ring	.001
A	230140	BR 0936	Joint Washer	.006
B	231242	BR 0022	Joint Washer - Differential	.036
A	231505	BR 0954	Joint Washer - Driving Member	.001
A	232037	BR 0960	Sealing Washer	.052
A	232039	BR 0856	Joint Washer	.036
A	232413	BR 0609	Joint Washer	.002
C	233220	BR 0971	Gasket - Master Cylinder	.001
A	233473	BR 0712	Joint Washer	.068
A	236022	BR 0993	Joint Washer	.038
A	243959	BR 0942	Sump Plug Washer - Copper	.002
A	247070	BR 1126	Joint Washer	.007
A	247179	BR 0268	Joint Washer	.002
A	247186	BR 0067	Sealing Ring In Valve Guide	.001
B	247802	BR 0781	Joint Washer	.001
A	247824	BR 1151	Joint Washer	.010
A	260165	BR 1209	Fibre Washer	.012
A	260708	BR 1239	Olive	.026
A	261857	BR 1258	Joint Washer	.026
A	267668	BR 0495	Gasket - Rocker Cover 2.6	.040
A	267779	BR 1320	Joint Washer	.031
A	267780	BR 0555	Gasket - Sump	.050
A	267782	BR 1321	Joint Washer	.016
A	269365	BR 0679	Gasket - Decoke Set	.0342
A	270568	BR 0862	Gasket Kit	.0286
A	272563	BR 1362	Gasket - Decoke Set 2.0L	.000
A	273069	BR 0266	Washer	.024
A	274171	BR 0822	Gasket - Manifold 2.25 Petrol	.052
A	274817	BR 0496	Gasket - Rocker Cover (side) 2.6	.028
A	275565	BR 1558	Joint Washer	.002
A	276510	BR 0992	Gasket - Thermostat Housing	.042
A	277289	BR 1403	Joint Washer	.002
A	278163	BR 1417	Gasket - Carburettor	.001
A	500978	BR 1457	Joint Washer	.018
B	504673	BR 2095	Joint Washer	.003
B	505244	505244	Joint Washer	.008

Category	Rover No	BR No	Description	Unit Weight
A	506069	BR 1535	Washer	.009
A	511957	BR 1576	Joint Washer	.002
A	515849	BR 1599	Joint Washer	.004
A	525520	BR 0921	Gasket - Overhaul Engine Set 2.25 Diesel	.500
B	525520G	BR 0921G	Gasket - Overhaul Engine Set 2.25 Diesel PAYEN	.500
A	527110	BR 1248	Joint Washer	.001
A	528697	BR 2126	Joint Washer	.048
B	531586	531586	Gasket - Sealing	.058
A	538039	BR 0558	Joint Washer	.013
A	538671	BR 1589	Joint Washer	.002
A	543818	BR 1485	Washer	.008
A	546457	BR 0553	Joint Washer	.044
A	546841	BR 1547	Gasket - Sump 2.25 Petrol & Diesel	.030
A	554163	554163	Joint Washer	.002
A	558160	BR 1636	Gasket - Head Petrol Copper OEM	.140
A	558160R	BR 1636R	Gasket - Head Petrol	.140
A	561856	BR 0583	Gasket	.006
A	563038	BR 2264	Joint Washer - Water pump 2.6	.003
A	564307	BR 0554	Joint Washer	.006
A	571137	BR 0239	Joint Washer - Cover Bearing Plate	.006
A	571837	BR 0353	Joint Washer	.032
C	571841	BR 0227	Joint Washer - Gearbox	.008
A	571846	BR 0618	Joint Washer	.010
A	571876	BR 0617	Joint Washer	.004
A	571940	BR 0233	Joint Washer - Gearbox	.006
A	571947	BR 0253	Joint Washer	.004
A	571979	BR 0772	Joint washer	.011
A	576195	BR 0988	Joint Washer	.015
A	576724	BR 3016	Joint Washer	.001
C	591345	591345	Joint Washer	.001
A	600603	BR 1772	Gasket Set - Gear Box	.092
A	601880	BR 2234	Joint Washer	.016
A	602087	BR 3471	Gasket - Sump V8	.036
A	602099	BR 0244	Gasket Seal V8	.012
A	602512	BR 3179	Gasket - Rocker Gasket V8	.084
B	602512G	BR 3179G	Gasket - Rocker Gasket V8 OEM	.084
A	603441	BR 1819	Joint Washer	.001
A	603796	BR 3178	Gasket - Cylinder Head V8	.084
B	603796G	BR 3178G	Gasket - Cylinder Head V8 OEM	.084
A	605013	605013	Plug Seal	.002
A	605093	BR 2248	Gasket Kit for Zenith Carburettor	.010



**B  
E  
A  
R  
M  
A  
C  
H**

**Tel: +44 (0)29 20 856 550**

**GASKETS**

Category	Rover No	BR No	Description	Unit Weight
A	605106	BR 0812	Gasket Set 2.6	.0018
A	606754	BR 3148	Gasket - Gearbox Set V8 4 speed	.0124
A	607175	BR 3059	Gasket	.0010
A	607183	BR 0481	Gasket	.0016
A	608068	BR 0088	Gasket	.0016
A	608124	BR 0021C	Gasket - Overhaul Engine Set 2.25 Petrol	.0452
B	608124G	BR0021CG	Gasket - Overhaul Set OEM	.0300
A	611089	BR 3374	Seal Packing	.0005
A	622045	BR 0713	Joint Washer	.0002
A	622046	BR 1323	Joint Washer	.0005
A	622047	BR 0488	Joint washer	.0003
A	622048	BR 0859	Joint Washer	.0104
A	90213662	BR 0946	Joint Washer	.0012
A	90213663	BR 0845	Joint Washer	.0026
A	90511958	BR 1577	Joint Washer	.0001
A	90624436	BR 0939	Joint Washer	.0038
A	AEU1147	BR 2318	Joint Washer	.0004
B	AFU1887L	AFU1887L	Joint Washer	.0028
A	BR 1273K	BR 1272/	Gasket & Seal Kit for Hubs	.0112
B	ERC3990	BR 3126	Gasket Set - Inlet Manifold V8	.0296
C	ERC3990G	BR 3126G	Gasket Set - Manifold PAYEN	.0296
A	ERC5086	BR 1736	'T' Cork Seal	.0004
A	ERC5655	BR 2343	Gasket - Water Pump	.0002
A	ERC6380	BR 0699	Gasket - Head Petrol	.0190
B	ERC6380G	BR 0699G	Gasket - Head Petrol OEM	.0190
C	ERC7865	BR 0821	Valve Stem Seal V8	.0006
C	ERC8049	ERC8049	Sealing Ring	.0018
A	ERC8408	BR 1578	Joint Washer	.0001
A	ERR1475	BR 1141	Joint Washer	.0008
A	ERR1510	BR 0720	Valve Seal	.0001
B	ERR1510G	BR 0720G	Valve Seal	.0001
A	ERR1607	BR 1739	Joint Washer	.0030
A	ERR2026	BR 1142	Joint Washer	.0008
B	ERR2428	BR 3165	Gasket with Beading	.0000
A	ERR2428G	BR 3165G	Gasket with Beading	.0000
A	ERR3607	BR 1363	Joint Washer	.0002
A	ERR4933	BR 0804	Gasket - Rocker Cover Petrol	.0024
B	ERR4933G	BR 0804G	Gasket - Rocker Cover Petrol (Adhesive Backed)	.0024
A	ERR4936	BR 1553	Gasket - Front Cover V8	.0008
A	ERR913	BR 1736G	Packing Strip OEM	.0002
C	ESR3263	572168	Washer	.0002

Category	Rover No	BR No	Description	Unit Weight
A	ETC4616	BR 1138	Joint Washer	.0001
A	ETC4751	BR 0721	Valve Seal	.0028
B	ETC4751G	BR 0721G	Valve Seal OEM	.0028
A	ETC5301	BR 3251	Gasket - Head 2.25 Diesel	.0210
A	ETC6438	BR 0805	Gasket - Rocker Cover Diesel	.0000
B	ETC6438G	BR 0805G	Gasket - Rocker Cover Diesel (Adhesive Backed)	.0000
A	ETC7750	BR 0515	Gasket - Manifold 2.25 Diesel	.0092
A	ETC7780	BR 1638	Gasket - Head Copper Diesel	.0160
A	FRC1511	BR 0981	Joint Washer	.0062
A	FRC1516	BR 0494	Joint Washer	.0010
A	FRC4810	BR 3573	Joint Washer Plug	.0003
A	FRC4835	BR 0909	Joint Washer	.0003
A	FRC4873	BR 3574	Gasket - Front Cover to Gearcase	.0004
A	FRC5674	BR 2082	Joint Washer	.0052
C	FRC6103	BR 2124	Joint Washer Front Output Housing	.0007
A	FRC6105	BR 2129	Joint Washer	.0006
A	FRC7007	BR 0596	Joint Washer	.0028
A	FRC7104	BR 2119	Joint Washer Bottom Cover	.0026
A	FRC7998	BR 2201	Joint Washer Front Output Housing	.0002
A	FTC4037	BR 1129	Gasket Gear Change Housing Transfer Box	.0002
A	JS657L	BR 2319	Joint Washer	.0001
C	RTC3254	RTC3254	Sealant RTV	.0284
A	RTC3306	BR 0861	Gasket Set - Overhaul suffix B V8	.0262
B	RTC3306G	BR 0861G	Gasket Set - Overhaul suffix B V8 PAYEN	.0262
A	RTC3326	BR 2259	Gasket Set - Manifold 2.6	.0290
A	RTC3333	BR 3389	Gasket Set 2.6	.0000
A	RTC809	BR 0401	Gasket - Conversion Set Petrol 2.25	.0182
B	RTC809G	BR 0401G	Gasket - Conversion Set Petrol 2.25 PAYEN	.0182
A	STC1112	BR 0678	Gasket - Cylinder Head	.0000
A	STC1564	BR 0922	Gasket - Decoke Engine Set 2.25 Diesel	.0416
B	STC1564G	BR 0922G	Gasket - Decoke Engine Set 2.25 Diesel PAYEN	.0416
A	STC1566	BR 3175	Gasket - Decoke Engine Set V8	.0974
A	STC1566G	BR 3175G	Gasket - Decoke Engine Set V8 With OE Manifold	.0950
A	STC1567	BR 0021	Gasket - Decoke Engine Set 2.25 Petrol	.0372
B	STC1567G	BR 0021G	Gasket - Decoke Engine Set 2.25 Petrol PAYEN	.0372
A	TRS1013L	BR 1310	Sealing Ring	.0072



BEARING MACHINE

Website - www.bearmach.com

## GEARBOX

Category	Rover No	BR No	Description	Unit Weight
A	1035	BR 0199	Steel Ball	.0016
A	3292	BR 0842	Oil Filler Plug 85mm	.0052
A	3294	BR 0306	Oil Filler Plug	.0080
A	3649	BR 0493	Spring	.0003
A	5852	BR 0843	Rubber Grommet	.0000
A	6405	BR 0027	Peg	.0020
A	6421	BR 2158	Selector Fork	.0312
A	50703	BR 0362	Thrust Washer .130"	.0020
A	55638	BR 2152	Plunger	.0007
B	55697	BR 0902	Locking Pin	.0001
A	217476	BR 0365	Lock Washer	.0004
A	217477	BR 0851	Mainshaft Nut	.0480
A	217484	BR 2065	Retaining Plate	.0012
A	218243	BR 0300	High Gear Wheel	1.260
A	218244	BR 0294	Main Shaft Gear Transfer Box	.0944
A	219468	BR 0297	Gear - NLS after stock ends	2.248
C	219521	219521	Gear Lever Knob	.0036
A	219714	BR 0574	Housing for Gear Lever	.0236
A	231074	BR 0854	Sleeve	.0306
A	231737	BR 0363	Thrust Washer .135	.0020
A	231943	BR 2006	Cross Shaft	.0444
A	232415	BR 2096	Oil Thrower	.0046
A	232604	BR 0857	Grommet	.0036
A	233398	BR 0336	Selector Shaft	.0674
A	233407	BR 0372	Coupling	.0048
A	235438	BR 0299	Low Gear - NLS after stock end	2.330
A	235455	BR 2099	Shim	.0017
A	235592	BR 0034	Drain Plug	.0070
A	236074	BR 2100	Mud Shield	.0048
A	236630	BR 2035	Flange	1.872
B	238329	BR 2102	Link	.0000
A	239272	BR 0461	Split Ring	.0012
A	239706	BR 0450	Mainshaft Sleeve Use 571218	.0000
A	241649	BR 1058	Distance Piece	.0055
A	241650	BR 1059	Distance Piece	.0000
A	241651	BR 1060	Distance Piece	.0065
A	243611	BR 2030	Gear Box Shaft Assembly	1.960
A	243714	BR 1100	Spring Clip for Gear Lever	.0018
A	245766	BR 0292	Gear Assembly	1.206
A	245767	BR 0293	Gear Assembly	1.645
A	263878	BR 0287	Layshaft Sleeve	.0320
A	264250	BR 0289	Mainshaft	2.484

Category	Rover No	BR No	Description	Unit Weight
A	267572	BR 2040	Thrust Washer	.0022
A	267573	BR 2041	Thrust Washer	.0022
A	267574	BR 2042	Thrust Washer	.0022
A	267575	BR 2053	Thrust Washer	.0022
A	268791	BR 0137	Sleeve-Speedo Pinion	.0164
B	277961	BR 1845	Bell Housing Assembly NLS	.0000
A	278025	BR 0298	Intermediate Shaft	.0000
A	501616	BR 0290	Layshaft Gear	.0224
A	501617	BR 0291	Mainshaft Gear	1.148
B	502202	BR 3534	Stop Hinge Assembly	.0074
A	502205	BR 3535	Bracket	.0031
A	503805	BR 3040	Spring for 1st & 2nd Synchro	.0028
A	507447	BR 0504	Locating Pin	.0002
A	511189	BR 1923	Gear Layshaft - 1st Speed	.0205
A	511205	BR 1925	Gear Mainshaft - 1st Speed	1.232
A	512238	BR 1574	Rubber Seal	.0007
A	514650	BR 1596	Spring for Gearbox Selector	.0010
A	515321	BR 1598	Spring	.0034
A	515470	BR 2045	Lock Plate	.0002
A	518473	BR 0286	Primary Pinion	2.172
C	521328	BR 0831	Thrust Washer OEM	1.150
A	521328R	BR 0831R	Thrust Washer	1.150
A	521330	BR 1945	Intermediate Gear	3.210
B	522318	BR 1953	Speedo Housing	1.024
A	522567	BR 1954	Use BR 1831	3.626
A	528690	BR 2014	Retaining Plate	.0107
A	528703	BR 1967	Layshaft	1.990
A	528720	BR 3033	Distance Piece	.0070
A	528721	BR 2127	Distance Piece	.0076
A	528722	BR 3032	Distance Piece	.0084
A	532979	BR 1984	Low Gear Wheel	1.738
A	533080	BR 1985	Intermediate Gear	3.434
A	533358	BR 0769	Oil Filler Plug	.0510
A	533765	533765	Plate - Oil Seal Retainer	.0004
A	540004	BR 0302	Speedo Worm	.0458
A	540870	BR 1304	Drain Plug	.0056
A	542231	BR 2000	Primary Pinion	.0900
B	542231G	BR 2000G	Primary Pinion OEM	.0000
B	549702	549702	Cup Plug	.0012
A	553084	BR 3041	Block for 1st & 2nd Synchro	.0003
A	556010	BR 0293A	Gear - 3rd Speed up to Suffix C	.0998
A	556040	BR 2031	Layshaft	2.020

PARTS SUITABLE FOR  
**LAND ROVER SERIES 2a & 3**





**B  
E  
A  
R  
M  
A  
C  
H**

**GEARBOX**

Category	Rover No	BR No	Description	Unit Weight
A	561960	BR 1924	Reverse Gear Assembly	.0598
A	561962	BR 0727	Reverse Gear shaft Ser2 & Ser2a	.0246
A	571043	571043	Selector Fork Pad	.0009
A	571063	BR 3391	Thrust Washer - Gearbox LT95	.0089
C	571064	BR 3392	Thrust Washer - Gearbox LT95	.0018
A	571065	BR 3393	Thrust Washer - Gearbox LT95	.0018
C	571066	BR 3394	Thrust Washer - Mainshaft LT95	.0018
A	571067	BR 3395	Thrust Bearing LT95	.0017
B	571090	BR 3396	Snap Ring LT95	.0005
A	571146	571146	Ball Detent	.0002
A	571218R	BR 2097R	Mainshaft Distance Sleeve OEM	.0260
B	571218	BR 2097	Mainshaft Distance Sleeve	.0260
A	571454	BR 3406	Shim 2.30" LT95	.0000
A	571661	BR 2011	Gear Knob Ring	.0002
A	571723	BR 3408	Thrust Washer LT95	.0010
A	571855	BR 2020	Selector Rod	.0066
A	571930	BR 3411	Thrust Washer - Gear Box	.0052
A	571931	BR 3412	Thrust Washer - Mainshaft	.0052
C	571957	BR 0595	Actuator - Vacuum Centre Diff LT95	.0394
C	576316	BR 2239	Gear Lever Knob	.0060
B	576370	BR 3432	Thrust Washer 2.50"	.0001
A	576686	BR 2288	Gear Cluster Suffix A only	3.540
C	576703	BR 2018	Selector Fork	.0320
C	576704	BR 0874	Selector Fork Reverse	.0504
A	576707	BR 2279	Reverse Idler Gear Ser3 Suffix A	.0522
A	576725	BR 2280	Mainshaft Ser3	2.458
A	576726	576726	Mainshaft 1 Ton	2.666
A	576729	BR 0198	Selector Shaft Reverse Gear	1.114
B	576734	BR 2272	Bush Ser3	.0142
A	576735	BR 3151	Thrust Washer	.0079
A	591362	BR 2292	Gear - 1st Speed up to Suffix B	.0958
B	591362G	BR 2292G	Gear - 1st Speed to Suffix B OEM	.0958
A	591363	BR 2293	Gear - 2nd Speed up to Suffix C	.0970
B	591363G	BR 2293G	Gear - 2nd Speed to Suffix C OEM	.0970
A	591364	BR 2277	Synchro Cone Ser3	.0070
C	591394	BR 1507	Oil Ring	.0030
A	591429	BR 0301	Output Shaft	2.548
A	591519	BR 2291	Spring Pin Gearbox	.0001
A	591527	BR 2276	Reverse Gear Shaft Suffix A	.0248
A	591529	BR 0301	Output Shaft	2.548
A	591891	BR 1390	Low Range Gear	.0810
B	591900	BR 0590	Inner Ring	.0015

Category	Rover No	BR No	Description	Unit Weight
A	593814	BR 3439	Shim 1.65 LT95	.0008
A	593815	BR 3440	Shim 1.70 LT95	.0008
A	593816	BR 3441	Shim 1.75 LT95	.0008
A	593817	BR 3442	Shim 1.80 LT95	.0008
A	593818	BR 3443	Shim 1.85 LT95	.0008
A	593819	BR 3444	Shim 1.90 LT95	.0008
A	593820	BR 3445	Shim 1.95 LT95	.0008
A	593821	BR 3446	Shim 2.00 LT95	.0008
A	594018	BR 3447	Shim - Primary Pinion 2.15 LT95	.0008
A	594019	BR 3448	Shim - Primary Pinion 2.10 LT95	.0008
A	594021	BR 3450	Shim - Primary Pinion 2.00 LT95	.0010
A	594022	BR 3451	Shim - Primary Pinion 1.95 LT95	.0010
A	594023	BR 3452	Shim - Primary Pinion 1.90 LT95	.0010
A	594024	BR 3453	Shim - Primary Pinion 1.85 LT95	.0012
A	594195	BR 0832	Intermediate Gearshaft	1.504
A	600916	BR 2029	2nd Gear Assembly	1.206
C	602017	602017	Gear Pump	.0120
B	605933	BR 2265	Gear Box Casing Assembly	6.386
A	606880	BR 2290	Primary Pinion up to Suffix C	2.744
A	607166	BR 3013	Differential Wheel	1.046
C	607168	BR 3015	Thrust Washer	.0008
C	607169	BR 3541	Thrust Washer	.0022
A	607176	BR 0168	Thrust Washer .0025	.0048
A	607178	BR 3537	Shim .005	.0002
A	607179	BR 3543	Shim	.0004
A	607182	BR 0169	Oil Thrower	.0018
A	607189	BR 3539	Shim	.0002
C	607190	BR 3546	Shim	.0003
A	607191	BR 3540	Shim	.0003
A	607197	BR 3548	Spacer	.0056
A	608142	BR 3521	Pinion Gear Set	.0872
A	608143	BR 3460	Pinion Shaft (pair)	.0000
A	608283	BR 2289	In & Out Member Suffix A	.0906
B	608283G	BR 2289G	In & Out Member Suffix A OEM	.0906
A	622042	BR 0700	Felt Seal Use RTC3515	.0002
A	622155	BR 1222	Selector Fork	.0336
A	622388	622388	Swivel Pad	.0010
A	622538	BR 2353	Grooved Sleeve	.0578
A	90213636	BR 2160	Selector Shaft 3rd & 4th Gears	.0502
A	90214684	BR 0368	Spring Ring	.0990
A	90217389	BR 0296	Gear Wheel	.0676
A	90217391	BR 2148	Selector Fork	.0358

**Tel: +44 (0)29 20 856 550**



## GEARBOX

Category	Rover No	BR No	Description	Unit Weight
A	90217488	BR 0852	Thrust Washer - Gearbox	.022
A	90217521	BR 0371	Bush - Selector Fork	.008
A	90217526	BR 0647	Circlip	.018
A	90217584	BR 0873	Selector Fork	.0224
A	90217846	BR 0059	Bush	.020
A	90217983	BR 2230	Bearing Housing	.000
A	90571010	BR 1373	Mainshaft Transfer Gear	1.190
C	90571091	BR 3397	Snap Ring	.007
A	90607170	BR 2342	Pinion Shaft	1.284
A	BK 0004	BK 0004	Gearbox Gasket Seal Kit late Ser2a & 3	.0292
A	BK 0005	BK 0005	Gearbox Bearing Set Ser2a & 3	1.354
A	BLS108L	BR 3023	Steel Ball for 1st & 2nd Synchro	.001
A	BLS109L	BR 1247	Steel Ball selector	.002
A	BLS112L	BR 0839	Steel Ball selector	.004
A	BR 3434	BR 3434	Thrust Washer	.045
B	ERC1351	BR 1504	Shaft & Gear	.0270
A	ETC4880	BR 0394	Plunger	.040
A	FRC1185	BR 1255	Gear - 3rd Speed	1.288
A	FRC1197	BR 0359	Spacer	.008
B	FRC1337	FRC1337	Sliding Block - Synchro Hub LT95	.008
B	FRC1339	BR 1252	Primary Pinion LT95	2.910
A	FRC1343	BR 1254	Gear - 2nd Speed LT95	1.794
A	FRC1344	BR 1370	Gear - 1st Speed LT95	2.406
A	FRC1536	BR 0303	Speedo Pinion	.0136
A	FRC1691	BR 2288A	Gear - Cluster Suffix B only	3.528
A	FRC1743	BR 1377	Reverse Shaft Idler LT95	.0760
A	FRC1758	BR 1777	Synchro Clutch to Suffix C	1.136
B	FRC1758G	BR 1777G	Synchro Clutch Assembly Suffix C OEM	1.136
B	FRC1810	BR 2279A	Gear - Reverse Idler Suffix B on	.0522
B	FRC1810G	BR 2279G	Gear - Reverse Idler Suffix B on OEM	.0522
A	FRC1813	BR 2276A	Reverse Gear shaft Suffix B on	.0364
C	FRC1815	BR 3532	Selector Fork Reverse	.0422
A	FRC1893	BR 3533	Reverse Gear	.0518
A	FRC2007	BR 3528	Thrust Washer	.022
A	FRC2008	BR 3527	Spacer	.040
A	FRC2046	BR 3072	Gear Lever RHD	.0800
A	FRC2047	BR 1917	Gear Lever LHD	.0788
B	FRC2056	BR 0516	Gear - 1st Speed Suffix C only	.0520
A	FRC2084	BR 0534	Gear - Cluster Suffix C onwards	3.548
A	FRC2240	BR 1378	Gear - High Range LT95	2.498
A	FRC2673	BR 2293A	Gear - 2nd Speed Suffix D on	.0972
B	FRC2963	BR 1379	Input Gear	3.328

Category	Rover No	BR No	Description	Unit Weight
A	FRC3201	BR 2292A	Gear - 1st Speed Suffix D on	.0922
A	FRC3500	BR 3434	Thrust Washer LT95	.045
A	FRC3507	BR 1389	Intermediate Shaft LT95	1.876
B	FRC3530	BR 1540	Gear Lever	.000
A	FRC3531	BR 1541	Gear Lever	.0732
B	FRC4076	BR 0096	Distance Bush Mainshaft	.0176
B	FRC4077	BR 0097	Distance Sleeve Mainshaft	.0096
A	FRC5115	BR 2131	Bearing Housing M/Casing Gearbox	.000
A	FRC5897	BR 0197	Selector Shaft 1st & 2nd Gears	.0552
C	FRC5931	BR 3195	Synchro Cone LT95	.0096
C	FRC6284	FRC6284	Thrust Washer Shim LT95	.082
C	FRC6286	FRC6286	Thrust Washer LT95	.090
C	FRC6287	FRC6287	Thrust Washer	.086
C	FRC6968	FRC6968	Thrust Washer	.006
A	FRC6996	BR 1776	Synchro Clutch Suffix D on	1.060
B	FRC6996G	BR 1776G	Synchro Clutch Suffix D OEM	1.060
B	FRC6998	576210	Lever	.000
A	FRC8179	BR 0293B	Gear - 3rd Speed Suffix D	1.645
B	FRC8179G	BR 0293G	Gear - 3rd Speed Suffix D OEM	1.645
A	FRC8549	BR 0330	Pull Off Spring	.032
C	FRC9853	FRC6964	Thrust Washer LT95	.002
A	RTC1956	BR 0364	Detent Spring for Synchro	.004
C	RTC1957	BR 0462	Spring Ring	.006
A	RTC1958	BR 2159	Selector Fork	.0350
A	RTC1962	BR 0360	Thrust Washer	.018
A	RTC1979	BR 0828	Mainshaft Peg	.082
A	RTC1981	BR 0288	Layshaft	1.918
A	RTC1982	BR 0092	Lock Washer	.016
A	RTC2150	BR 1372	Mainshaft & Synchro LT95	4.820
B	RTC2195	BR 2289A	In & Out Member Suffix B & C	.0906
B	RTC2195G	BR 2289AG	In & Out Member Suffix B & C	.000
A	RTC2344	BR 3030	Gearbox Mod. Kit Ser.3	5.262
A	RTC2684	BR 2290A	Primary Pinion Suffix D on	2.894
B	RTC2685	BR 2289B	In & Out Member Suffix D on	.0910
A	RTC2705N	BR 2004	Gearbox Assembly Ser2a & 3 Early	.000
A	RTC3397	BR 3460	Pinion Shaft Use 608143	.0308
A	STC1118	BR 0361	Thrust Washer .128"	.020
A	TRS1114L	BR 1057	Sealing Ring	.054



**B  
E  
A  
R  
M  
A  
C  
H**

**OIL SEALS**

Category	Rover No	BR No	Description	Unit Weight
A	211502	BR 0499	Oil Seal	.006
B	213340	BR 0311	Oil Seal	.010
A	217400	BR 0669	Oil Seal - Axle Casing	.028
A	217508	BR 0310	Oil Seal	.065
A	236305	BR 0463	Oil Seal	.046
A	246169	BR 1120	O Ring	.020
B	247746	BR 0716	Sealing Ring	.008
A	267828	BR 0366	Sealing Ring	.001
A	268887	BR 1329	O Ring	.001
A	271013	BR 1256	Oil Seal	.002
A	272539	S 1136	Sealing Ring	.005
A	272596	BR 1056	Sealing Ring	.056
A	275807	BR 0625	Oil Seal Halves NLS	.000
A	504844	BR 0624	Oil Seals Halves (Early)	.017
A	516885	S 1120	Sealing Ring Oil Filter	.004
A	523240	BR 1639	Oil Seal Rear Main Bearing Camshaft	.408
A	524636	BR 1575	Seal-Main Bearing Cap	.003
A	527235	BR 1249	Seal Ring	.002
A	531433	BR 1979	O Ring	.028
A	532323	BR 2034	O Ring	.001
A	532387	532387	Ring	.000
A	542492	BR 1755	Oil Seal - Rear Main Bearing Kit	.036
B	542492G	BR 1755G	Oil Seal - OEM	.036
A	542494	BR 1682	Oil Seal Kit use BR 1639+1755	.854
A	549412	BR 3005	Oil Seal E.N.V. Axles	.000
A	564258	BR 1143	O Ring	.002
B	568301	BWK 22	Oil Seal - Water Pump OEM	.022
A	568301R	BWK 22R	Oil Seal - Water Pump	.022
A	571059	BR 3008	Oil Seal	.022
B	571059G	BR 3008G	Oil Seal ANGUS	.022
B	571142	BR 3400	Oil Seal - Mainshaft	.002
A	571175	BR 0175	Oil Seal - Output Shaft	.028
A	571718	BR 3214	Oil Seal - Swivel Pin Housing Shaft	.034
B	571718G	BR 3214G	Oil Seal - ANGUS	.034
A	571838	BR 3409	Oil Seal - Transfer Gear	.062
A	594029	BR 3482	Oil Seal	.002
A	601850	BR 3050	O Ring	.002
A	90214787	BR 0788	Oil Seal	.010
A	90516028	BR 2262	Oil Seal	.038
A	90622240	BR 3000	Oil Seal	.044
A	12H220L	BR 1358	Sealing Washer	.001

Category	Rover No	BR No	Description	Unit Weight
A	27H1330L	BR 1050	O Ring Bowl Washer	.002
A	37H575L	BR 1955	Fuel Filter Seal	.000
A	AAU3381	BR 2298	Oil Seal - Differential	.070
B	AAU3381S	BR 2298S	Oil Seal - Differential Metal & Leather OEM	.070
B	AAU9902	AAU9902	O Ring Sealing Bottom Oil Filter	.004
B	AAU9903	AAU9903	O Ring Sealing Top Oil Filter	.004
B	AEU2281L	BR 0913	O Ring	.001
A	AEU4024	BR 0469	Seal	.010
A	ARA1502L	BR 1489	Tank Gauge Sealing Ring	.005
A	ERC6432	BR 0502	O Ring Rear Main Seal	.010
A	ERR1632	BR 0076	Oil Seal - Front Cover	.024
B	ERR1632G	BR 0076G	Oil Seal - Front Cover ANGUS	.024
A	ERR2640	BR 0714	Oil Seal V8 ANGUS	.050
B	ERR2640G	BR 0714G	Oil Seal V8	.050
A	ETC5369	BR 0500	Oil Seal - Rear Main Bearing	.080
B	ETC5369G	BR 0500G	Oil Seal - Rear Main Bearing PAYEN	.080
A	FRC1387	BR 1545	O Ring	.030
A	FRC1780	BR 3547	Oil Seal	.038
B	FRC1780G	BR 3547G	Oil Seal ANGUS	.380
B	FRC4501	BR 0928	O Ring	.012
B	FRC4509	BR 0930	O Ring	.019
A	FRC4586	BR 0668	Oil Seal for Pinion	.040
B	FRC5473	BR 0935	Oil Seal for Pinion ANGUS	.040
B	FRC5473	BR 0935	O Ring	.037
B	FRC5479	BR 0931	O Ring	.001
B	FRC5576	BR 0944	O Ring	.018
A	GHS166	BR 0666	Oil Seal	.048
A	RTC1975	BR 0127	O Ring	.002
A	RTC3508	BR 3006	Oil Seal	.000
B	RTC3508G	BR 3006G	Oil Seal ANGUS	.000
B	RTC3510	BR 2103	Oil Seal Hub Rubber type	.044
B	RTC3510G	BR 2103G	Oil Seal Hub Rubber type ANGUS	.044
A	RTC3511	BR 0646	Oil Seal Hub Rubber type	.044
B	RTC3511G	BR 0646G	Oil Seal Hub Rubber type ANGUS	.044
A	RTC3515	BR 0667	Oil Seal Felt for Axle Shaft	.002
A	RTC3516	BR 2147	O Ring	.001
A	RTC3528	BR 0023	Oil Seal Swivel Pin Housing	.222

Tel: +44 (0)29 20 856 550

Manufacturers' part numbers are used for reference purposes only



**STEERING**

Category	Rover No	BR No	Description	Unit Weight
A	3739	BR 0887	Steel Ball	.042
A	3746	BR 0888	Steel Ball	.030
A	214649	BR 0734	Rubber Cover	.010
B	214685	BR 0369	Spring Ring	.001
A	230184	BR 0567	Distance Piece - NLS after stock end	.028
A	230759	BR 0565	Steering Relay Spring	.0142
C	230760	BR 0945	Washer	.008
A	232557	BR 0717	Grease Nipple	.004
C	234532	BR 0982	Nipple	.003
A	239017	BR 0605	Swivel Pin - NLS after stock end	.140
B	241388	BR 0566	Thrust Washer	.045
A	269267	BR 1336	Track Rod Assembly	.000
A	269269	BR 1823	Track Rod Assembly	1.314
A	271384	BR 1829	Adjusting Ball Race	.077
A	274147	BR 1839	Steering Lever - NLS after stock end	1.516
A	276201	BR 1392	Grease Nipple	.007
A	276784	BR 2048	Steering Tube	.0796
A	320902	TRE 70L	Track Rod End LH	.0498
B	515508	BR 1798	Steering Box RH NLS af. stock end	1.122
A	515509	BR 1919	Steering Box LH NLS after stock end	1.150
A	526994	BR 2052	Steering Track Rod	1.606
B	530988	BR 1972	Steering RH Lever Assembly RHD.	1.132
B	530989	BR 1973	Steering LH Lever Assembly RHD	1.420
A	531040	BR 1706	Relay Lever Assembly	.0552
A	532329	BR 1715	Swivel Pin Kit Overhaul	.000
A	535286	BR 0693	Steering Relay Lever	.000
A	537877	BR 1603	Split Bush	.015
A	543818	BR 1485	Washer	.008
A	543819	BR 1492	Washer	.008
A	543972	BR 0129	Steering Relay Housing	2.134
B	544337	BR 0077	Bolt	.000
A	551702	BR 1922	Steering Unit RHD.	.000
A	551703	BR 2241	Steering Unit Assembly LHD	.000
A	552356	BR 2151	Steering Damper Bracket	.0578
A	562875	BR 0696	Steering Relay Shaft	.0966
A	568858	BR 1459	Stem Rubber	.007
B	577898	BR 2209	Clip	.033
A	594506	BR 3063	Inner Column	2.500
A	594507	BR 3064	Inner Column	2.500
A	595123	BR 1920	Drop Arm	.0508
A	600241	BR 1676	Main Nut Assembly RHD	.000

Category	Rover No	BR No	Description	Unit Weight
A	600242	BR 1803	Main Nut Assembly LHD	.0326
A	608464	TRE 70R	Track Rod End RH	.0498
A	608465	BR 1960	Steering Track Rod Assembly	.000
B	624434	BR 0384	Thrust Washer Steering Relay	.046
A	90608462	BR 1393	Steering Tube	1.826
A	90624433	BR 0948	Steering Relay End Cap Late	.0116
A	51K4001L	BR 0145	Sheer Bolt for Steering	.0160
A	AEU1160	BR 1948	Steering Column Inner use BR 2013	2.232
A	AEU1160	BR 2013	Steering Column Inner LHD	1.872
A	BR 1785	BR 1785	Use BR 0838 Drag Link Assembly	.000
A	ERC2533	BR 1536	Ball Joint Rod Assembly	.062
A	FRC2074	BR 1977	Housing Assembly RH	4.308
A	FRC2075	BR 1976	Housing Assembly LH	3.744
A	NRC1269	BR 2022	Steering Relay Assembly	3.990
A	NRC132	BR 1902	Track Rod Tube	1.700
A	NRC142	BR 1903	Steering Tube	.0834
C	NRC4346	NRC4346	Steering Wheel	2.360
A	NRC4609	BR 1824	Track Rod Assembly	1.252
A	NRC4656	BR 2223	Steering Damper Bracket RHD.	.000
A	NRC4657	BR 2224	Steering Damper Bracket LHD.	.000
B	NRC5960	BR 2140	Steering Column Assembly Ser3 RHD	7.500
B	NRC5961	BR 1795	Steering Column Assembly Ser3 LHD	7.500
A	NRC6037	BR 1346	Rocker Shaft	1.024
A	RTC1806	BR 1796	Longitudinal Tube	.000
A	RTC1810	BR 1784	Steering Wheel Track Rod Assembly	.000
A	RTC2547	BR 0838	Drag Link Assembly	.000
A	RTC3670	BR 2255	Steering Damper	1.800
A	RTC5867	TRE 72R	Ball Joint Assembly RH Greasable	.0498
B	RTC5867G	TRE 78R	Ball Joint Assembly RH QH	.0498
B	RTC5867RG	TRE 72RG	Ball Joint Assembly RH LEMFORDER	.0498
A	RTC5868	TRE 72L	Ball Joint Assembly LH Greasable	.0498
B	RTC5868G	TRE 78L	Ball Joint Assembly LH QH	.0498
B	RTC5868LG	TRE 72LG	Ball Joint Assembly LH LEMFORDER	.0498
A	RTC607	BR 0892	Nipple	.001



**B  
E  
A  
R  
M  
A  
C  
H**

**SUSPENSION - BUSHES and MOUNTINGS**

Category	Rover No	BR No	Description	Unit Weight
A	4788	BFM 161	Engine Mounting	.000
A	7091	BFM 162	Engine Mounting	.042
A	210604	BSC 076	Bush - Spring	.102
A	241380	BFM 239	Axle Buffer	.000
A	548205	BSC 075	Bush - Spring	.140
A	548205G	BSC 075G	Bush - Spring OEM	.140
A	548205P	BSC 075P	Bush - Polyurethane	.210
A	552818	BR 0695	Bush - Shock Absorber	.018
A	552818P	BR 0695P	Bush - Shock Absorber Polyurethane	.018
A	552819	BR 1083	Bush - Shock Absorber	.020
A	552819P	BR 1083P	Bush - Shock Absorber Polyurethane	.020
A	565395	BR 0018	Bush - Shock Absorber Ser1	.012
A	569746	BSC 089	Bush - Spring Front 88"	.189
A	569746P	BSC 089P	Bush - Spring Front Polyurethane 88"	.274
A	572166	BR 0166	Bush	.014
A	572167	BR 0176	Bush Female	.021
A	90577434	BSC 204	Bush - Chassis	.312
A	90577434P	BSC 204P	Bush - Chassis Polyurethane	.350
A	BA 2073	BA 2073	Polybush Kit Ser3 109"	.000
A	BA 2073A	BA 2073A	Polybush Kit 88" & Early 109"	.000
A	NRC2052	BFM 300	Engine Mounting	.699
A	NRC2053	BFM 232	Use NRC2054 Engine Mounting	.308
A	NRC2054	BFM 051	Engine Mounting Front	.308
A	NRC7135	NRC7135	Rubber Mounting	.038

Category	Rover No	BR No	Description	Unit Weight
----------	----------	-------	-------------	-------------



**B  
E  
A  
R  
I  
N  
G  
M  
A  
C  
H**

Website – [www.bearingmach.com](http://www.bearingmach.com)

**SUSPENSION – SHOCK ABSORBERS**

Category	Rover No	BR No	Description	Unit Weight
A	264024	BR 1343	Shock Absorber - Washer	.0019
A	500746	BR 1440	Shock Absorber - Washer	.0022
A	NRC4365	BR 1441	Shock Absorber - Washer	.0016
B	RTC4230	BR 1078	Shock Absorber - Front 88" WOODHEAD	1.500
A	RTC4230A	BR 1078A	Shock Absorber - Front 88" ARMSTRONG	1.500
B	RTC4231	BR 0643	Shock Absorber - Front 1Ton	3.088
B	RTC4232	BR 1079	Shock Absorber - Rear 88" WOODHEAD	1.700
A	RTC4232A	BR 1079A	Shock Absorber - Rear 88" ARMSTRONG	1.700
B	RTC4233	BR 0644	Shock Absorber - Rear 1Ton WOODHEAD	2.756
B	RTC4234	BR 1080	Shock Absorber - Heavy Duty 88" Front	2.670
B	RTC4235	BR 1081	Shock Absorber - Heavy Duty 88" Rear	2.670
B	RTC4442	BR 1401	Shock Absorber - Rear 109" WOODHEAD	2.500
A	RTC4442A	BR 1401A	Shock Absorber - Rear 109" ARMSTRONG	2.500
B	RTC4484	BR 1486	Shock Absorber - Front 109" WOODHEAD	2.500
A	RTC4484A	BR 1486A	Shock Absorber - Front 109" ARMSTRONG	2.500
B	STC786	BR 2255	Steering Damper MONROE	1.800
A	STC786A	BR 2255A	Steering Damper ARMSTRONG	1.800
B	STC786W	BR 2255W	Steering Damper WOODHEAD	1.800

Category	Rover No	BR No	Description	Unit Weight
----------	----------	-------	-------------	-------------

PARTS SUITABLE FOR  
**LAND ROVER SERIES 2a & 3**